

### Features

- Beautifully glass round basin
- No faucet holes; requires wall- or counter-mount faucet
- Above-counter or drop-in installation
- No faucet holes

### Material

- Glass

### Installation

- Above-counter or drop-in

### Recommended Accessories

- K-7107 Decorative Drain
- K-7108 Decorative Drain
- K-7129 Drain
- K-9033 Bottle Trap
- K-9655 Wall-Mount Vessel Bracket

### Components

- Additional included component/s: Installation Tape - 84938.



ADA OBC

### Codes/Standards





CSA B45.11/IAPMO Z401  
CSA B45.5/IAPMO Z124  
ADA  
ICC/ANSI A117.1  
OBC

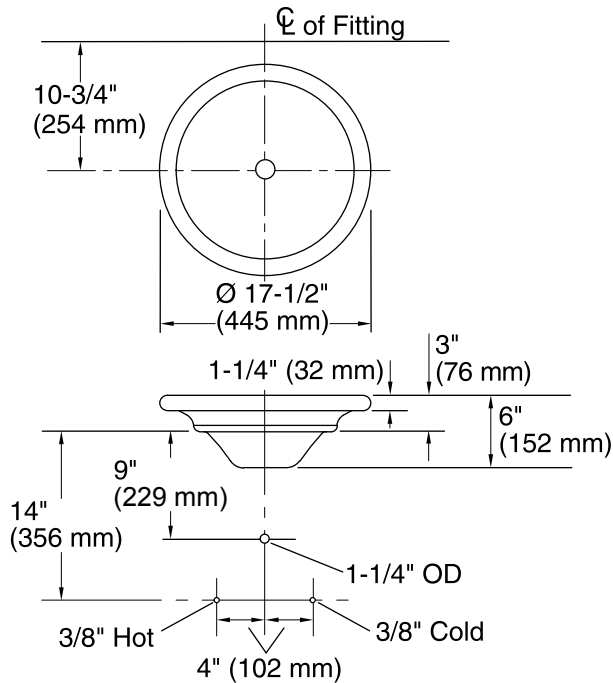
### KOHLER® One-Year Limited Warranty

See website for detailed warranty information.

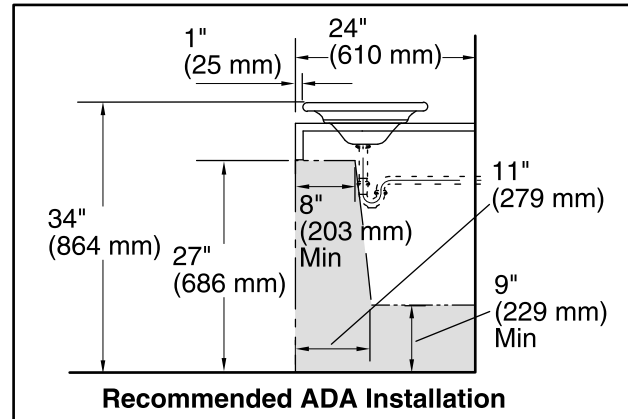
### Available Color/Finishes

*Color tiles intended for reference only.*

Color	Code	Description
	B11	Ice
	TG1	Translucent Dusk
	TG2	Translucent Dew
	TG3	Translucent Doe
	TG6	
	TG7	
	TG8	



**Standard Installation**



### Technical Information

All product dimensions are nominal.

Bowl configuration:	Single
Installation:	Vessel
Bowl area (Only):	Diameter: 15" (381 mm) Bowl depth: 5-1/2" (140 mm) Water depth: 5-1/2" (140 mm)
Template:	115888-7, required, included

### Notes

Install this product according to the installation instructions.

Spout must be 5" (127 mm) long (min) for adequate clearance into lavatory when installed with centerline as shown.

Spout must be tall enough to clear 3" (76 mm) rim height and provide a 1" (25 mm) air gap per ASME A112.1.2.

Diagram is based on the K-9018 P-trap with a 1" (25 mm) tailpiece exposed.

ADA, OBC compliant when installed to the specific requirements of these regulations.