

Features

- Frameless design highlights showering area.
- Two-roller compression latches allow for smooth secure door closure.
- A concealed hinge provides smooth, stable operation.
- No top header eliminates clearance issues.
- Frameless, 1/4" (6 mm) thick Crystal Clear tempered glass.
- Elegant inside and outside brass pull handles complete the look of this door.
- CleanCoat® technology creates a barrier between the water and glass to help keep your shower door looking new.

Material

- Anodized aluminum prevents rusting or corrosion.
- Tempered glass ensures maximum safety and durability.

Installation

- Out-of-plumb adjustability allows for simpler installation.
- Can be installed to open to the left or right.
- For residential use only.
- For hospitality, use only heavy glass (5/16" or 3/8").

Components

Additional included component/s: Hardware kit.



Codes/Standards

CPSC 16CFR 1201
ANSI Z97.1

KOHLER® One-Year Limited Warranty

See website for detailed warranty information.

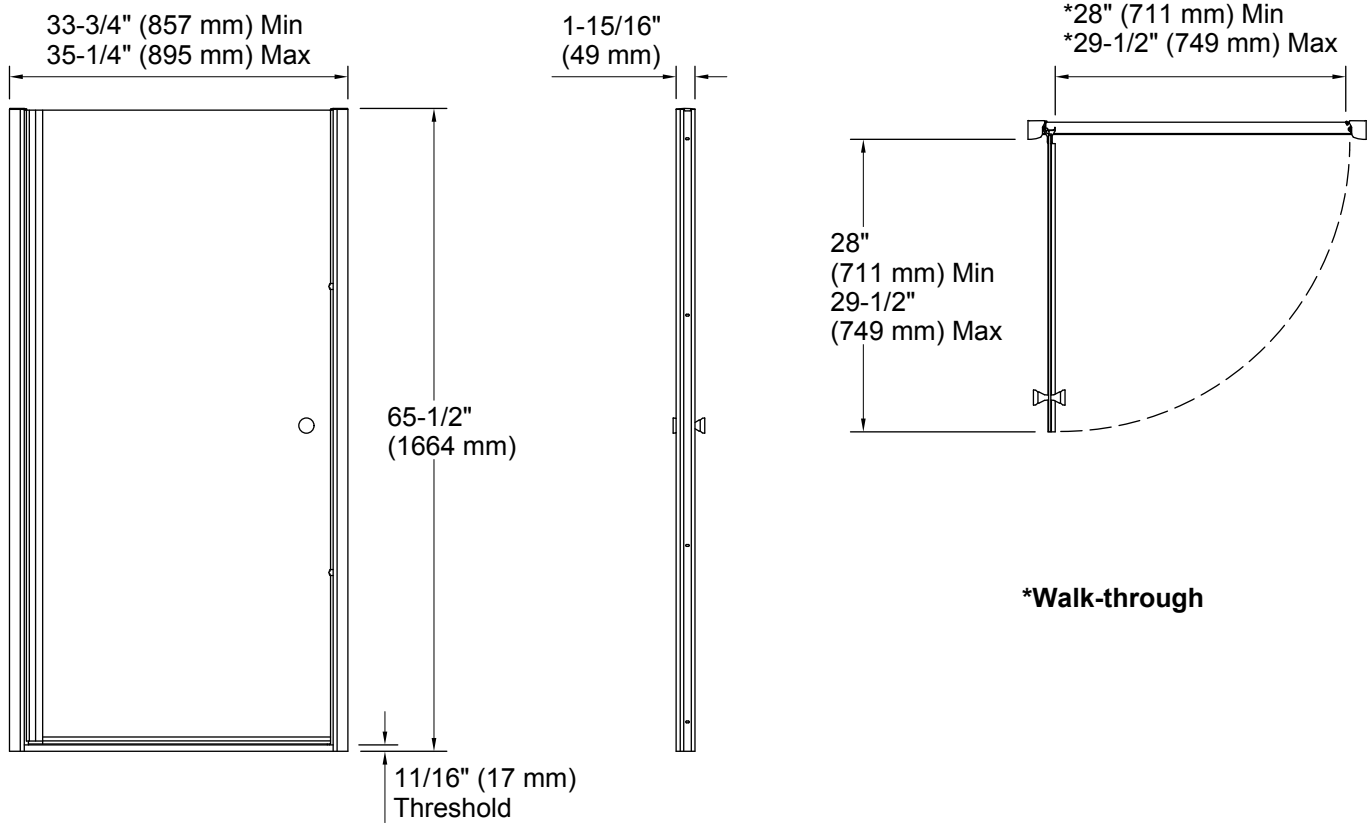
Available Color/Finishes

Color tiles intended for reference only.

| Color | Code | Description |
|--|------|-------------------------|
|  | SH | Bright Silver |
|  | MX | Matte Nickel |
|  | ABV | Anodized Brushed Bronze |

Available Glass Options

| Code | Description |
|------|---------------|
| L | Crystal Clear |



Technical Information

All product dimensions are nominal.

| | |
|----------------------|------------------------------|
| Installation type: | For shower base installation |
| Opening style: | Pivot |
| Opening Width - Min: | 33-3/4" (857 mm) |
| Opening Width - Max: | 35-1/4" (895 mm) |
| Walk-through - Min: | 28" (711 mm) |
| Walk-through - Max: | 29-1/2" (749 mm) |
| Glass thickness: | 1/4" (6 mm) |
| Glass coating: | CleanCoat® |

Notes

Install this product according to the installation guide.

The vertical opening should be a minimum of 66" (1676 mm) to allow for installation clearance.