



Disinfecting Wipes Dispenser K-6382

Features

- Provides convenient single-wipe dispensing.
- Fits 30- to 35-count wipes.
- Silicone seal keeps wipes fresh.
- Easy one-touch lid opening.

Material

- Made of rust-resistant brushed stainless steel.



Codes/Standards

None Applicable


KOHLER® One-Year Limited Warranty

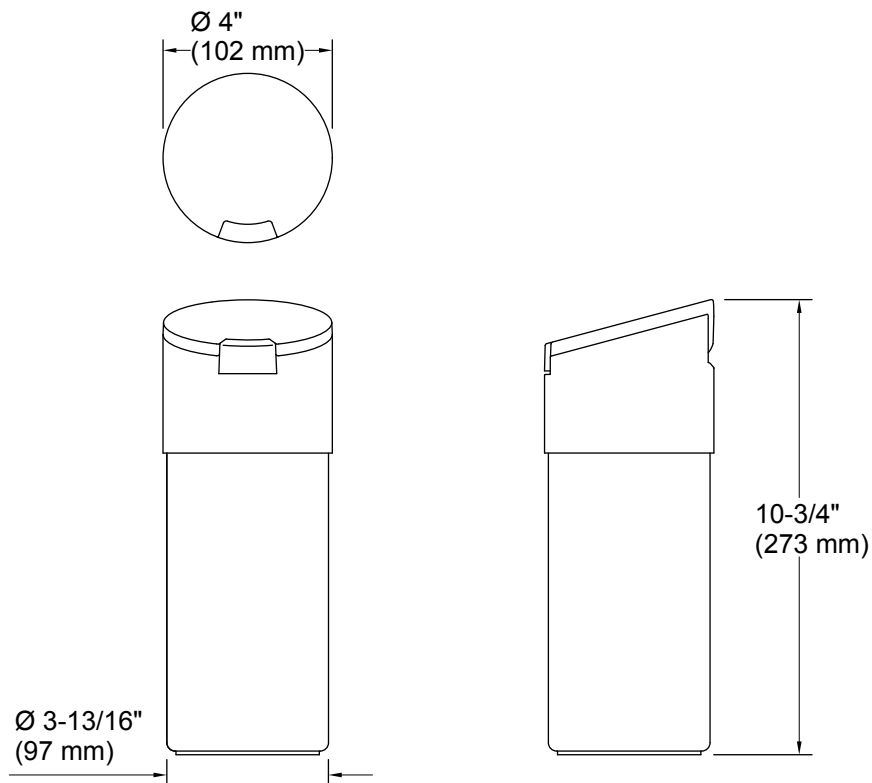
See website for detailed warranty information.

Available Color/Finishes

Color tiles intended for reference only.

| Color | Code | Description |
|-------|------|-------------|
|-------|------|-------------|

| | | |
|--|---|-------|
|  | 0 | White |
|--|---|-------|



Technical Information

All product dimensions are nominal.