

## Features

- Fits in the right bowl of the K-5818 Hartland kitchen sink.
- Durable stainless-steel construction.
- Helps protect sink surface from daily wear.
- Stainless-steel rack is dishwasher safe.
- Innovative wheels around the perimeter provide a secure fit and reduce debris buildup.



## Codes/Standards

None Applicable


## KOHLER® One-Year Limited Warranty

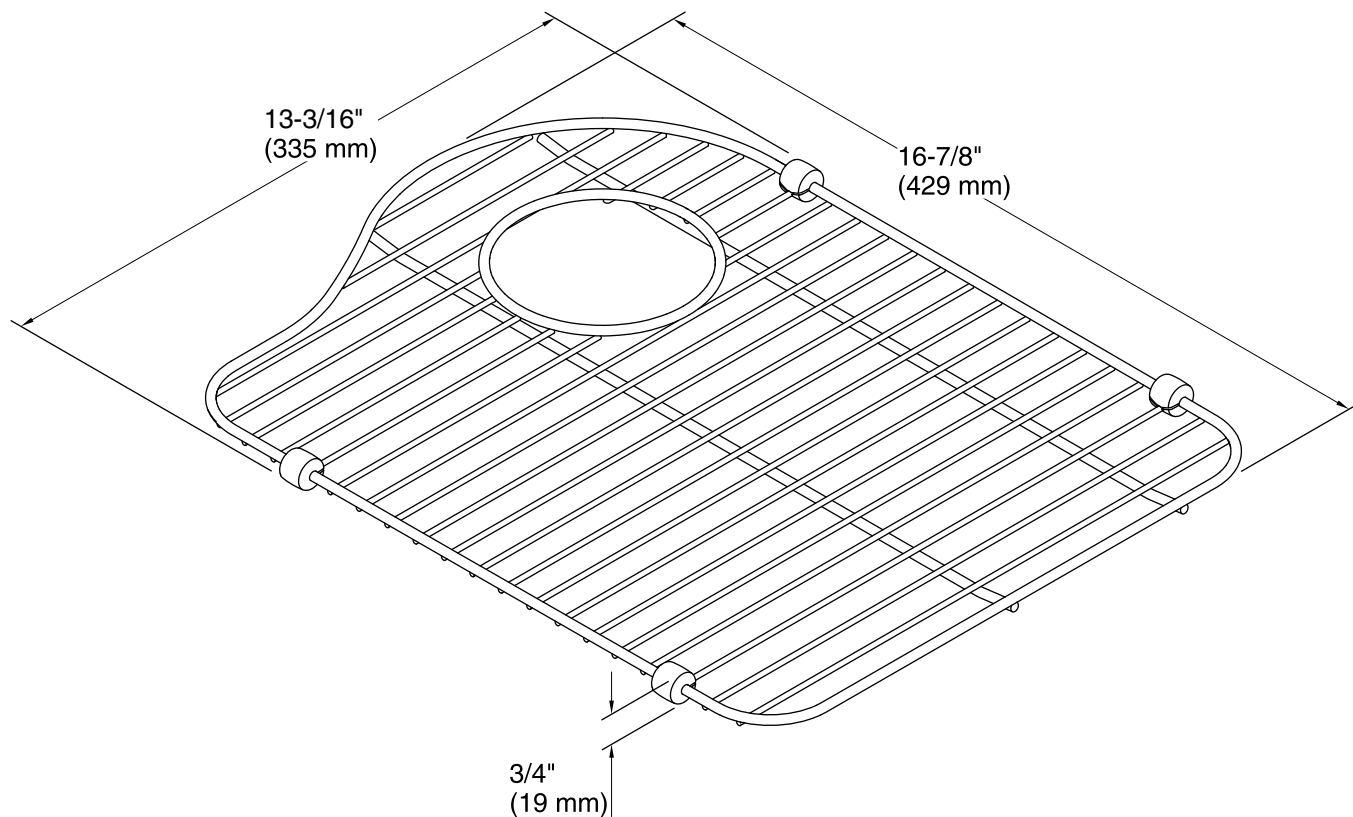
See website for detailed warranty information.

## Available Color/Finishes

*Color tiles intended for reference only.*

Color	Code	Description
-------	------	-------------

	ST	Stainless Steel
--	----	-----------------



### Technical Information

All product dimensions are nominal.