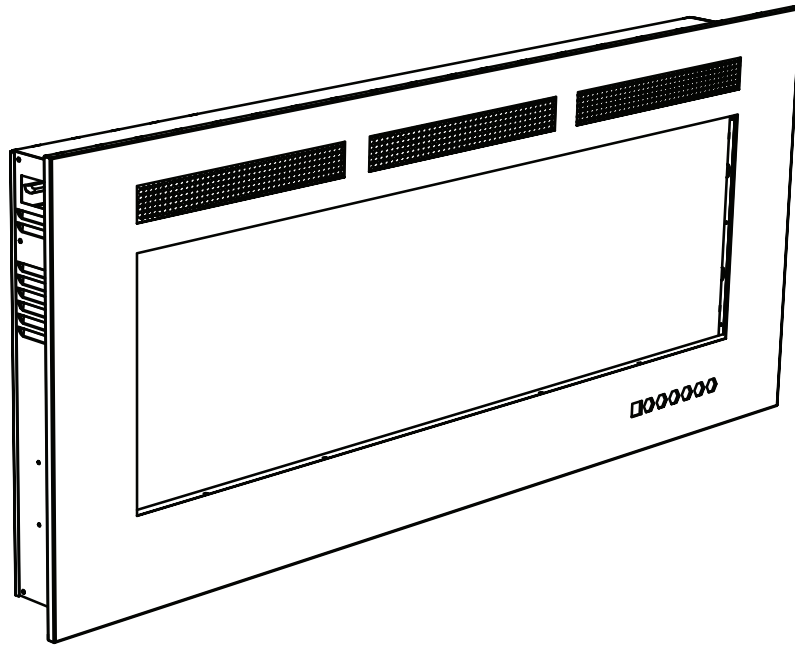




INSTALLATION AND OPERATION MANUAL

Allure™ Series
(NEFL50FH Illustrated)



SAFETY INFORMATION

⚠ WARNING

FIRE OR EXPLOSION HAZARD

If the information in these instructions are not followed exactly, a fire or explosion may result causing property damage, personal injury, or loss of life.

- Do not store or use gasoline or other flammable vapors and liquids in the vicinity of this or any other appliance.

INSTALLER:

Leave this manual with the appliance

CONSUMER:

Retain this manual for future reference



This appliance has a remote that requires button batteries that are hazardous to young children.

FOR INDOOR USE ONLY

**CERTIFIED TO THE CANADIAN AND AMERICAN NATIONAL STANDARDS:
CSA 22.2 NO. 46 / UL 2021**

APPLY SERIAL NUMBER LABEL FROM CARTON



Wolf Steel Ltd., 24 Napoleon Rd., Barrie, ON, L4M 0G8 Canada / 103 Miller Drive, Crittenden, Kentucky, USA, 41030
Phone 1 (866) 820-8686 • www.napoleon.com • hearth@napoleon.com

! WARNING

- **If equipped with a heater, this appliance can be hot when operated and can cause severe burns if contacted.**
- Do not operate appliance before reading and understanding operating instructions. Failure to operate appliance according to operating instructions could cause fire or injury.
- Do not install damaged, incomplete or substitute components.
- Do not burn wood or other materials in this appliance.
- All electric appliances have hot and arcing or sparking parts inside. Do not use it in areas where a gas line, paint or flammable liquids are present.
- Any safety screen or guard removed for servicing must be replaced prior to operating the appliance.
- It is imperative that the control compartments, circulating blower and its passageway in the appliance are kept clean. The appliance should be inspected before use and at least annually by a qualified service person. More frequent cleaning may be required due to excessive lint from carpeting, bedding material, etc. The appliance area must be kept clear and free from combustible materials, gasoline and other flammable vapors and liquids.
- Under no circumstances should this appliance be modified.
- Do not use this appliance if any part has been under water. Immediately call a qualified service technician to inspect the appliance and to replace any part of the control system which has been under water.
- If equipped with a glass door, do not operate the appliance with the glass door removed, cracked or broken. Replacement of the glass should be done by a licensed or qualified service person. Do not strike or slam shut the appliance glass door.
- Keep the packaging material out of reach of children and dispose of the material in a safe manner. As with all plastic bags, these are not toys and should be kept away from children and infants.
- Servicing should be done only while the appliance is disconnected from the power supply circuit.
- Always unplug appliance when not in use.
- Do not operate this appliance with a damaged cord or plug after the appliance malfunctions, has been dropped or damaged in any manner. Return appliance to authorized service facility for examination, electrical or mechanical adjustment, or repair.
- Do not use outdoors.
- When installing this appliance in a room where water is present, the installation must comply with codes recognizing the increased hazard of electrical shock and electrocution.

note:

This appliance IS NOT suitable for installation in a bathroom.


- Do not run cord under carpeting. Do not cover cord with throw rugs, runners, or the like. Arrange cord away from traffic area and where it will not be tripped over.
- Connect to properly grounded outlets only.
- Do not insert or allow foreign objects to enter any ventilation or exhaust opening as this may cause an electric shock or fire, or damage the appliance.
- It is normal for your electric appliance to produce noise, especially when installed in a quiet space such as a bedroom.

 **WARNING**

- To prevent a possible fire, do not block air intakes or exhaust in any manner. Do not use on soft surfaces, like a carpet, where openings may become blocked.
- Always plug appliances directly into a wall outlet/receptacle. Never use an extension cord or relocatable power tap (outlet/power strip).
- These appliances are tested and listed for use only with the optional accessories listed in these instructions. Use of optional accessories not specifically tested for this appliance could void the warranty and/or result in a safety hazard.

For appliances equipped with a heater:

- Risk of burns. Power to the appliance should be turned off and the appliance allowed to cool before servicing. To disconnect power to the appliance, turn controls to off, then remove plug from outlet.
- Young children should be carefully supervised when they are in the same room as the appliance. Toddlers, young children and others may be susceptible to accidental contact burns. A physical barrier is recommended if there are at risk individuals in the house. To restrict access to an appliance or stove, install an adjustable safety gate to keep toddlers, young children and other at risk individuals out of the room and away from hot surfaces.
- Clothing or other flammable material should not be placed on or near the appliance.
- Due to high temperatures, the appliance should be located out of traffic and away from furniture and draperies.
- Ensure you have incorporated adequate safety measure to protect infants/toddlers from touching hot surfaces.
- Even after the appliance is off, the glass and/or screen will remain hot for an extended period of time.
- Check with your local hearth specialty dealer for safety screens and hearth guards to protect children from hot surfaces. These screens and guards must be fastened to the floor.
- Ensure clearances to combustibles are maintained when building a mantel or shelves above the appliance. Elevated temperatures on the wall or in the air above the appliance can cause melting, discolouration or damage to decorations, a TV or other electronic components.

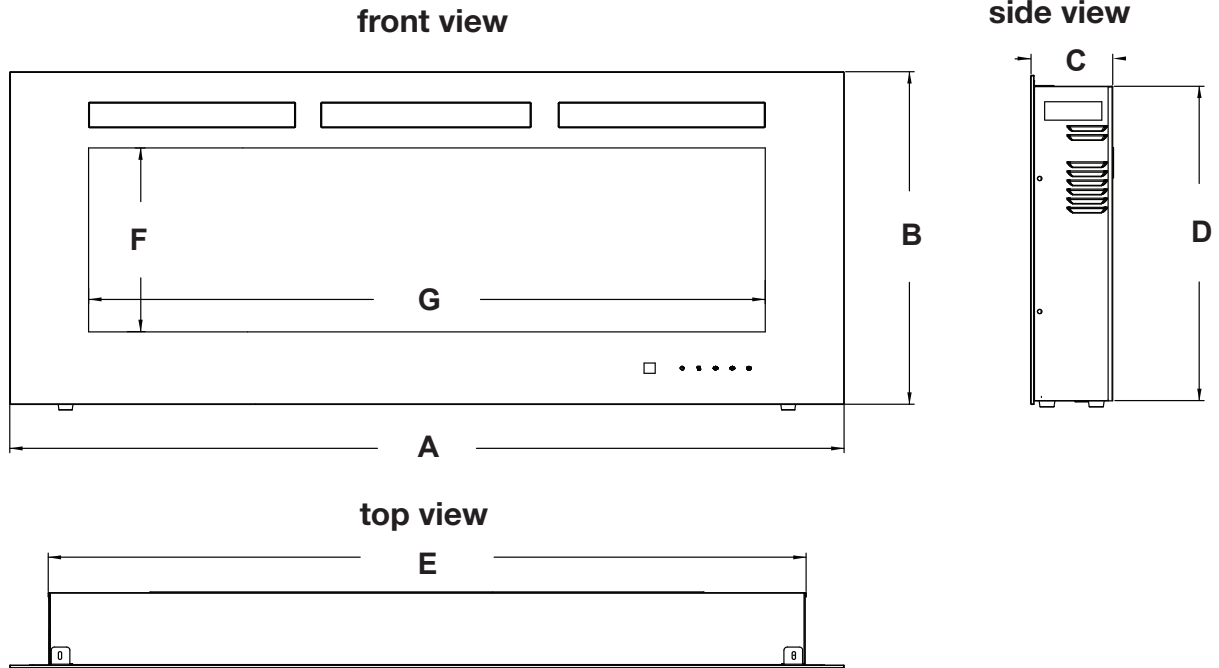
 **WARNING:** This product can expose you to chemicals including lead and lead compounds, which are known to the State of California to cause cancer, and chemicals including BBP and DEHP, which are known to the State of California to cause birth defects or other reproductive harm. For more information, go to www.P65Warnings.ca.gov.

1.0	general information	5
1.1	dimensions	5
1.2	product information	5
1.4	listing approvals	6
1.3	general instructions	6
1.5	unpacking and testing appliance	6
1.6	hardware parts list	7
1.7	rating plate information	8
2.0	locating appliance	9
2.1	grounding appliance	9
3.0	installation	10
3.1	minimum clearance to combustibles	10
3.2	minimum mantel clearances	10
3.3	installing the appliance onto the wall	11
3.3.1	framing	12
3.4	recessing the appliance into the wall	13
3.4.1	installing the appliance into a mantel	14
3.4.2	rubber feet installation	15
3.5	hard wiring installation	16
4.0	finishing	17
4.1	front glass installation	17
4.2	front glass removal	18
4.3	crystal ember installation	18
5.0	operating instructions	19
5.1	main power button	19
5.2	operating touch display panel and remote control	19
6.0	maintenance	20
6.1	remote battery installation	20
7.0	wiring diagram	21
8.0	replacement parts	23
9.0	troubleshooting	25
10.0	warranty	26
11.0	notes	27

note:

The information throughout this manual is believed to be correct at the time of printing. Wolf Steel Ltd. reserves the right to change or modify any information within this manual at any time without notice. Changes, other than editorial, are denoted by a vertical line in the margin.

1.1 dimensions



1.2 product information

DIMENSIONS							
MODEL NO.	A	B	C	D	E	F	G
NEFL32FH	32" (813mm)	21 5/8" (550mm)	5" (127mm)	20 1/2" (520mm)	27 5/16" (694mm)	12" (304mm)	22 5/16" (567mm)
NEFL42FH	42" (1067mm)	21 5/8" (550mm)	5" (127mm)	20 1/2" (520mm)	37 1/2" (951mm)	12" (304mm)	32 5/16" (821mm)
NEFL50FH	50" (1270mm)	21 5/8" (550mm)	5" (127mm)	20 1/2" (520mm)	45 7/16" (1154mm)	12" (304mm)	40 5/16" (1024mm)
NEFL60FH	60" (1524mm)	21 5/8" (550mm)	5" (127mm)	20 1/2" (520mm)	55 5/16" (1405mm)	12" (304mm)	50 5/16" (1278mm)
NEFL72FH	72" (1830mm)	21 5/8" (550mm)	5" (127mm)	20 1/2" (520mm)	67 3/8" (1711mm)	12" (304mm)	62 5/8" (1583mm)
NEFL100FH	100" (2540mm)	21 5/8" (550mm)	5" (127mm)	20 1/2" (520mm)	95 3/8" (2422mm)	12" (304mm)	90 9/16" (2300mm)

MODEL NO.	NET WEIGHT	GROSS WEIGHT
NEFL32FH	34.6lbs (15.7kg)	50.3lbs (22.8kg)
NEFL42FH	44.3lbs (20.1kg)	60.2lbs (27.3kg)
NEFL50FH	50.9lbs (23.1kg)	70lbs (31.5kg)
NEFL60FH	61.3lbs (27.8kg)	82lbs (37.2kg)
NEFL72FH	81.8lbs (37.1kg)	117.3lbs (53.2kg)
NEFL100FH	111.3lbs (50.5kg)	159.4lbs (72.3kg)

Description	Electric Appliance
Type	3 Way Mounting Appliance Wall-Mount, Recess into Wall and Assemble with Mantel
Voltage	120V AC
Watts	MAX 1500W
Amps	15 AMP Grounded Circuit

general information

1.4 listing approvals

This appliance has been tested in accordance with the CSA Standards for fixed and location-dedicated electric room appliances in the United States and Canada. If you need assistance during installation, please contact your local dealer.

note:

This appliance must be electrically wired and grounded in accordance with local codes or, in the absence of local codes, with National Electric Code ANSI/NFPA 70-latest edition in the United States or the Canadian Electric Code, CSA C22.1 in Canada.

1.3 general instructions

- Prior to plugging your appliance into an electrical outlet, verify that the house circuit breakers for the outlet are on.
- The appliance may emit a slight, harmless odour when first used. This odour is normal and it is caused by the initial heating of internal appliance elements and will not occur again.
- If your appliance does not emit heat when called for, consult the "operation" section of this manual for further information.
- Use with a CSA or UL certified surge protector.
- Do not route the power cord directly underneath the appliance.

This electric appliance meets the construction and safety standards of H.U.D. for application in manufactured homes when installed according to these instructions.

As with most electronic devices, your new electric appliance has been designed to operate at temperatures between 5°C (41°F) and 35° C (95°F). During the colder winter months, allow the appliance to reach room temperature before turning it on.

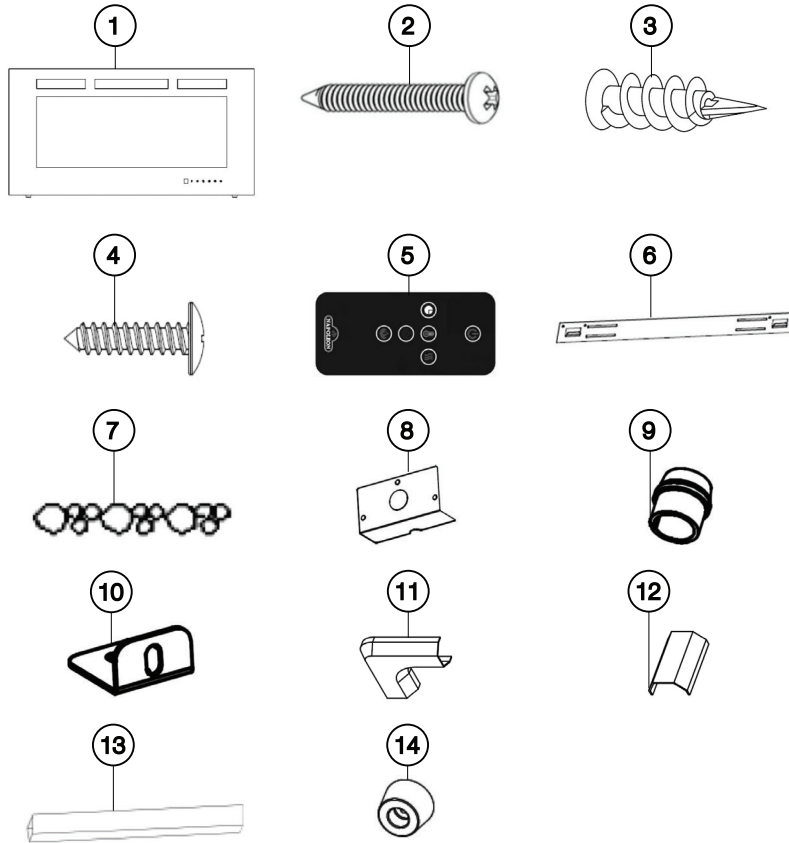
1.5 unpacking and testing appliance

Carefully remove the appliance from the box. Prior to installing the appliance, test to make sure the appliance operates properly by plugging the power supply cord into a conveniently located 120 Volt, 15 Amp grounded outlet.

note:

NEFL72/100FH appliances are shipped with the front glass not assembled onto the appliance. See "front glass installation" section for assembly.

1.6 hardware parts list



Ref.	Description	Quantity					
		NEFL32FH	NEFL42FH	NEFL50FH	NEFL60FH	NEFL72FH	NEFL100FH
1	Appliance	1	1	1	1	1	1
2	Wood Screws	6	6	6	12	12	16
3	Drywall Anchors	6	6	6	12	12	16
4	ST 4 x 12 Metal Screws	8	8	8	8	8	8
5	Remote Control	1	1	1	1	1	1
6	Wall Bracket	1	1	1	2	2	2
7	Crystals	2	2	2	2	2	2
8	Cover Plate	1	1	1	1	1	1
9	Strain Relief	1	1	1	1	1	1
10	Metal Bracket	4	4	4	4	4	4
11	Cord Corner	4	2	2	2	2	2
12	Cord Corner	4	2	2	2	2	2
13	Cord Cover	4	2	2	2	2	2
14	Rubber Foot	4	4	4	6	6	6

general information

1.7 rating plate information

CERTIFIED UNDER CANADIAN AND AMERICAN NATIONAL STANDARD: CSA 22.2 NO. 46 AND UL 2021 /
HOMOLOGUÉ SELON LES NORMES NATIONALES CANADIENNES ET AMÉRICAINES: CSA 22.2 NO. 46 UL 2021

ELECTRIC FIREPLACE. SUITABLE FOR BEDROOM
AND BED-SITTING ROOM INSTALLATION. SUITABLE
FOR MOBILE HOME INSTALLATION.

FOYER À ÉLECTRIQUE. HOMOLOGUE POUR
INSTALLATION DANS UNE CHAMBRE A COUCHER, UNE
SALLE DE BAIN ET UN STUDIO. APPROPRIÉ POUR
INSTALLATION DANS UNE MAISON MOBILE.

MASTER CONTRACT: 161746

CONTRAT-CADRE: 161746

NEFL32FH CEFL32FH NEFL60FH CEFL60FH

NEFL42FH CEFL42FH NEFL72FH CEFL72FH

NEFL50FH CEFL50FH NEFL100FH CEFL100FH

VOLTAGE: 120 VAC **TENSION: 120VCA**

FREQUENCY: 60Hz **FRÉQUENCE: 60Hz**

POWER: 1500W **PUISSANCE: 1500W**

DATE CODE: **CODE DE DATE:**

DESIGNED IN NORTH AMERICA DESIGN AMERIQUE DE NORD
BY WOLF STEEL LTD. PAR WOLF STEEL LTD.

MADE IN CHINA FABRIQUE EN CHINE

WOLF STEEL LTD.
24 NAPOLEON ROAD,
BARRIE, ON, L4M 0G8 CANADA

SERIAL NUMBER/NO. DE SERIE: NEFL

W385-2095

This illustration is for reference only. Refer to the rating plate on the appliance for accurate information.

note:

The rating plate must remain with the appliance at all times. It must not be removed.

! WARNING

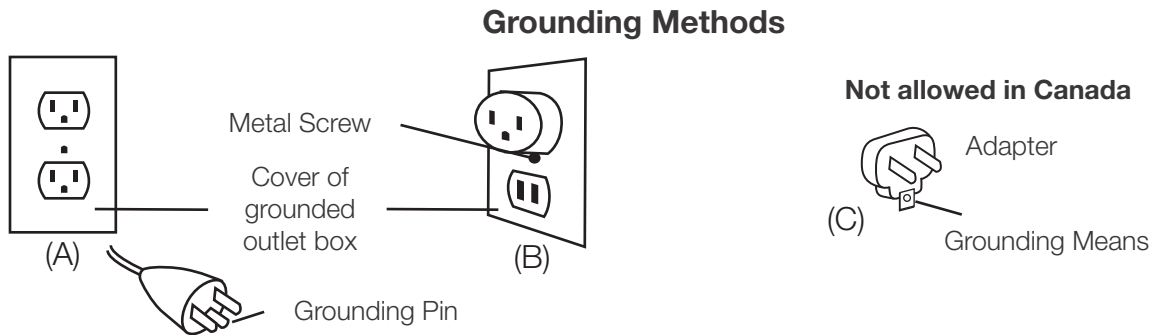
- Due to high temperatures, this electric appliance should be located out of traffic. Keep combustible materials, such as furniture, pillows, bedding, papers, clothes and curtains, at least 36" (91.4cm) from the front of the appliance.
- Never locate this electric appliance where it may fall into a bathtub or other water container.
- Wear safety gloves and safety glasses for protection during installation and maintenance.
- To prevent contact with sagging or loose insulation, the electric appliance must not be installed against vapor barrier or exposed insulation. Localized overheating could occur and a fire could result.
- Do not expose the electric appliance to the elements (ie. rain, snow, etc.).

2.1 grounding appliance

This appliance is for use on 120 volts. The cord has a plug as shown in (A). An adapter as shown in (C) is available for connecting three-blade grounding type plugs to two-slot receptacles, as shown in (B).

The green grounding plug extending from the adapter must be connected to a permanent ground such as a properly grounded outlet box. The adapter should not be used if a three-slot grounded receptacle is available.

To disconnect appliance, turn controls to off, then remove plug from outlet.



note:

The appliance must be connected to a dedicated 15 amp circuit. The use of an extension cord is NOT permitted.

3.0 installation

⚠ WARNING

- Risk of fire! The power cord must not be pinched against a sharp edge. Secure cord to avoid tripping or snagging to reduce the risk of fire, electric shock, or personal injury. Do not run cord under carpeting. Do not cover cord with throw rugs, runners, or similar items. Arrange cord away from traffic areas and where it will not be tripped over.
- Risk of fire! To prevent a possible fire, do not block air intake or exhaust in any manner. Do not use on soft surfaces where openings may become blocked.
- Risk of fire! Do not blow or place insulation against the appliance.
- This electric appliance is tested and listed for use only with the approved optional accessories. Use of optional accessories not specifically tested for this electric appliance could void the warranty and/or result in a safety hazard.
- If the information in these instructions is not followed exactly, a fire or explosion may result causing property damage, personal injury, or death. Do not store or use gasoline or other flammable vapors in the vicinity of this or any other appliance.
- This appliance is heavy. It is highly recommended that two people install this appliance.
- If your appliance is equipped with a heater, ensure the heater vents cannot, in any way, be covered as it may create a fire hazard.
- Do not run the power cord horizontally, directly below the appliance.

Your appliance is a wall-mounted, recessed and/or mantel installed appliance. Select a suitable location that is not susceptible to moisture and is away from drapes, furniture and high traffic areas.

note:

Follow all national and local electrical codes.

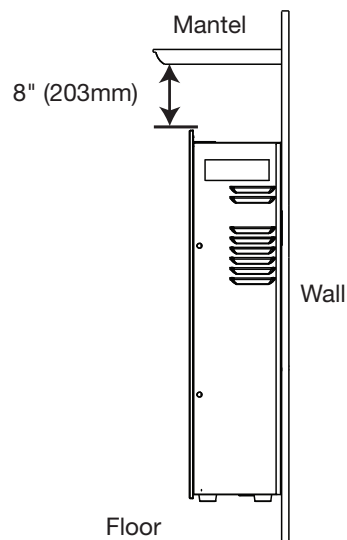
3.1 minimum clearance to combustibles

Measurements are taken from the glass front:			
Bottom	0"	Top	8" (203mm) to mantel
Sides	0"	Top	8" (203mm) to ceiling
Back	0"		

3.2 minimum mantel clearances

⚠ WARNING

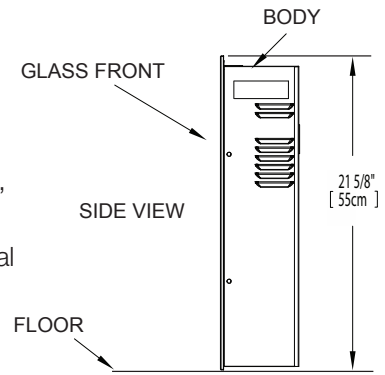
- When using paint or lacquer to finish the mantel, the paint or lacquer must be heat resistant to prevent discolouration.



3.3 installing the appliance onto the wall

Due to the many different materials used on different walls, it is highly recommended that you consult your local builder before you install this appliance on the wall.

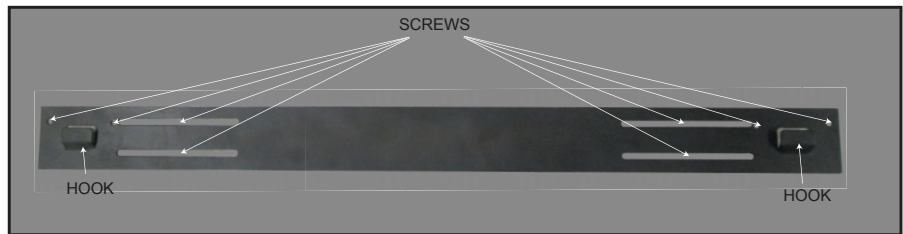
- A. Select a location that is not prone to moisture and is located at least 36" (91.4cm) away from combustible materials such as curtain drapes, furniture, bedding, paper, etc.
- B. Have 2 people hold the appliance against the wall to determine the final location.
- C. Place appliance face down on a soft, non abrasive surface. Remove the bracket from the back of the appliance by removing the screws (see illustrations below)
- D. Mark out location, then mount the bracket(s) onto the wall using screws (supplied). This bracket **MUST** have the hooks facing upward and be level.



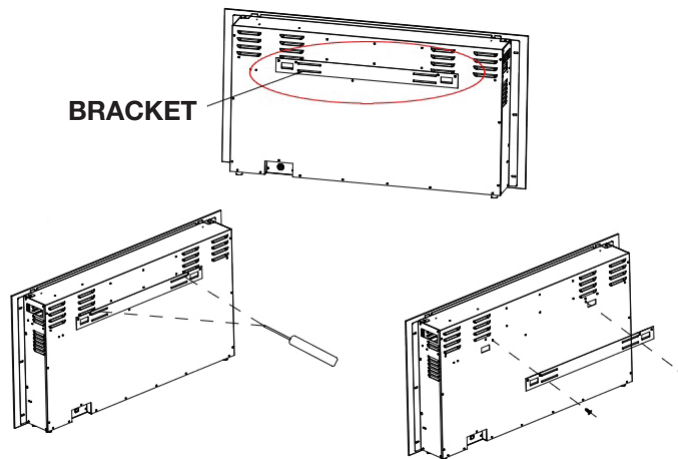
note:

It is strongly recommended that the mounting bracket be screwed into the wall studs where possible. If the wall studs cannot be used, ensure that the supplied plastic anchors are used to affix the bracket to the wall and the bracket is adequately secured.

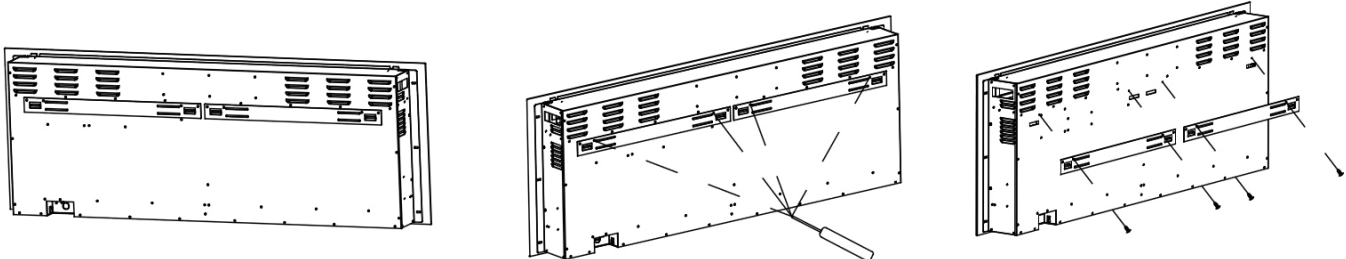
- E. With the wall mounting bracket installed, have 2 people lift the appliance up and insert the 2 hooks on the bracket into the 2 slots on the back of the appliance.



- F. Check the appliance for stability ensuring that the bracket will not pull free from the wall.



NEFL32/42/50FH BRACKET ILLUSTRATED

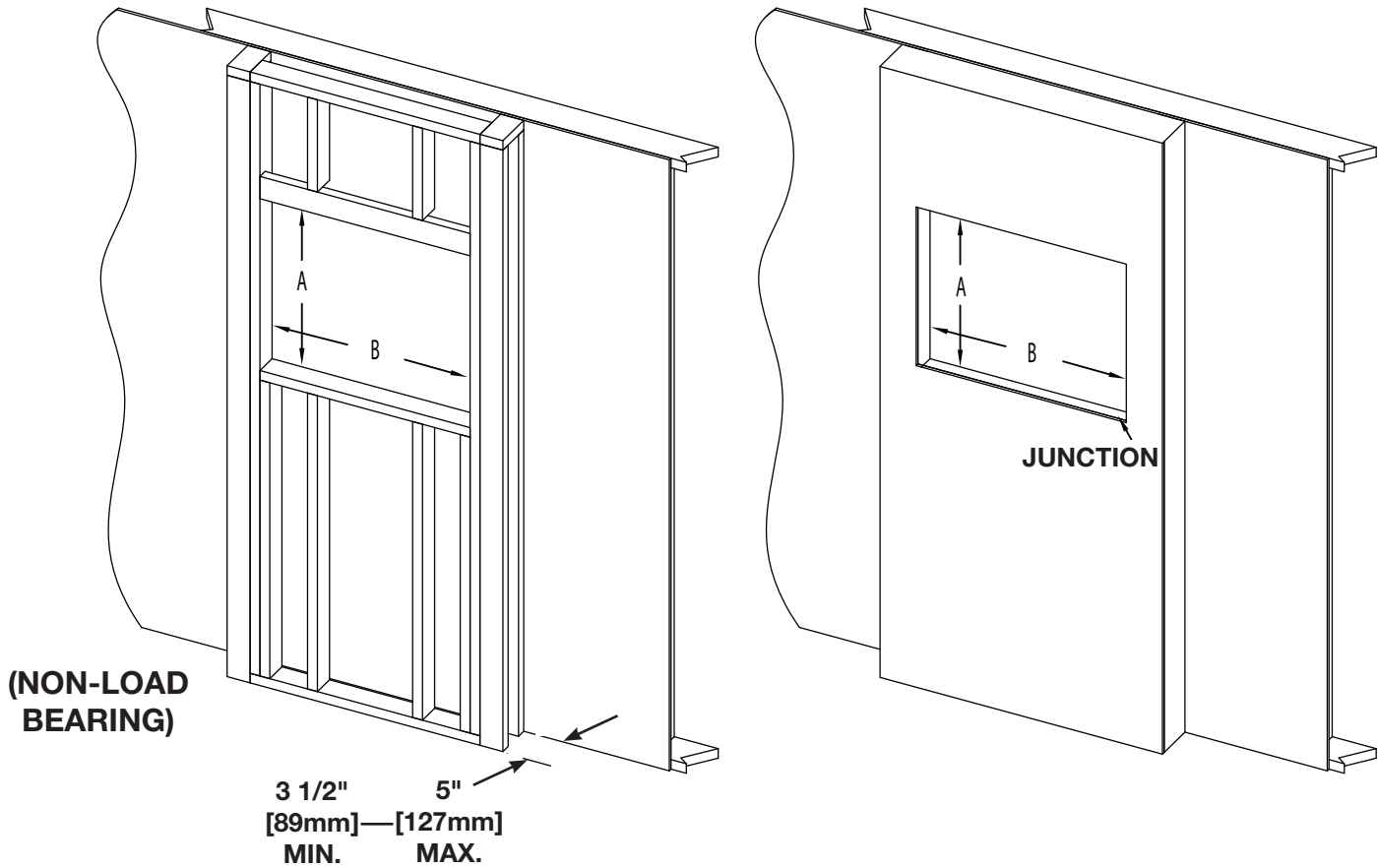


NEFL60/72/100FH BRACKET ILLUSTRATED

3.3.1 framing

Measurements are taken from the body:	
Sides, back and top	0"

Finishing Material



MODEL NO.	A	B
NEFL32FH	21" (53,5cm)	27 13/16" (70,7cm)
NEFL42FH	21" (53,5cm)	38" (96,5cm)
NEFL50FH	21" (53,5cm)	45 15/16" (116,6cm)
NEFL60FH	21" (53,5cm)	55 13/16" (141,8cm)
NEFL72FH	21" (53,5cm)	67 7/8" (172,5cm)
NEFL100FH	21" (53,5cm)	95 7/8" (243,5cm)

3.4 recessing the appliance into the wall

Due to the many different finish materials used on walls, it is highly recommended that you consult your local builder before you install this appliance in the wall.

Select a location that is not prone to moisture and is located at least 36" (91.4cm) away from combustible materials such as curtain drapes, furniture, bedding, paper etc.

- A. Measure the appliance and create a rough in with electrical.
- B. Remove the front glass (see "front glass removal" section).
- C. Hold the appliance up to ensure it will fit into the framing.
- D. If the appliance is fully recessed into the wall:
 - Bend the 2 top tabs upward on the front glass (**Fig. 3, next page**).
 - Use 6 screws (provided) to lock the appliance into the wall with the existing 2 side flanges (**Fig. 1**).
 - Install the media and reinstall the glass front.
- E. If partial recess into the wall:
 - Use the 2 mounting brackets (supplied) to lock the appliance to the wall (**Fig. 2**).

note:
 2 sets of holes are provided for recessing into wall. The wall structure may limit how far the appliance can be recessed. Use the appropriate set of holes when recessing to the frame, it may be necessary to use the 4 holes on the top and bottom.

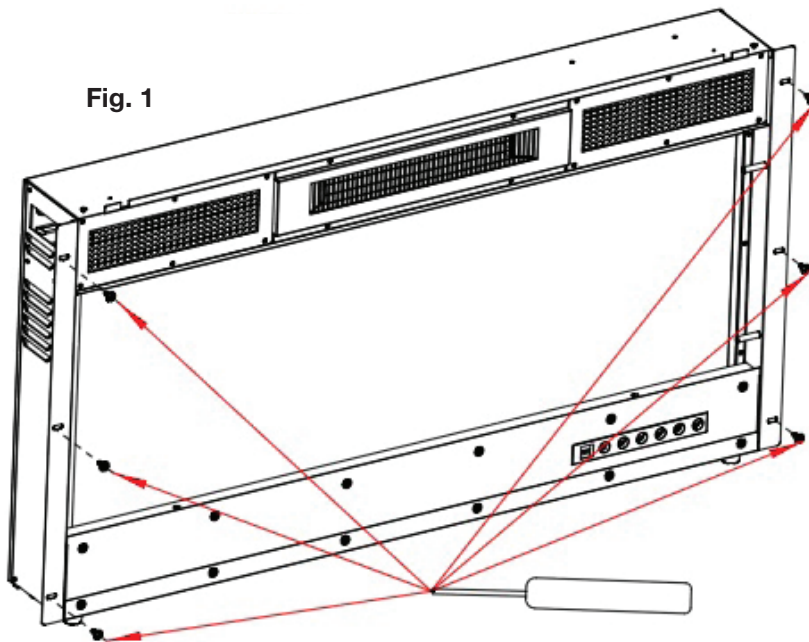


Fig. 1

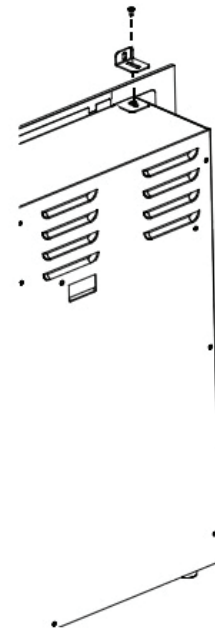
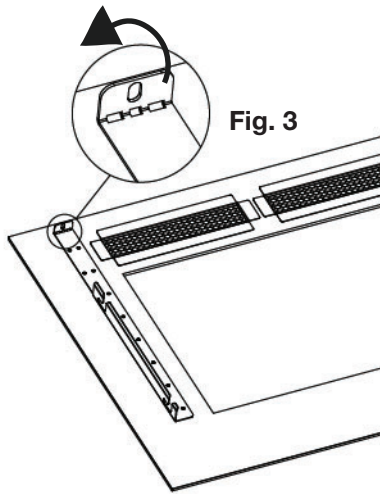
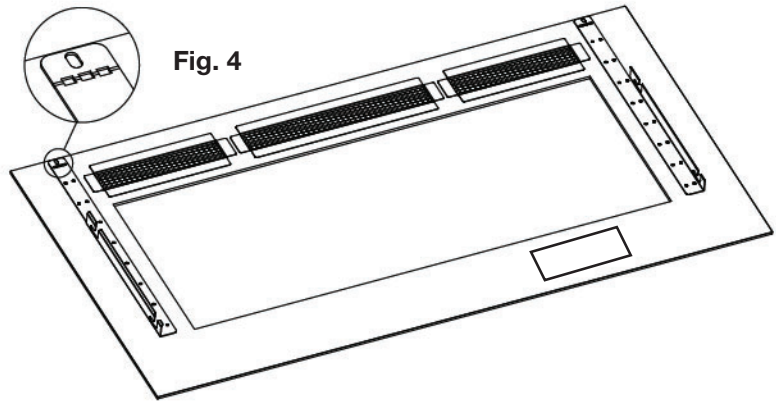


Fig. 2

note:
 It is recommended the walls of the appliance enclosure be finished (ie. drywall) to avoid exposed insulation or vapour barrier coming in contact with the appliance. This will ensure clearance to combustibles is maintained.

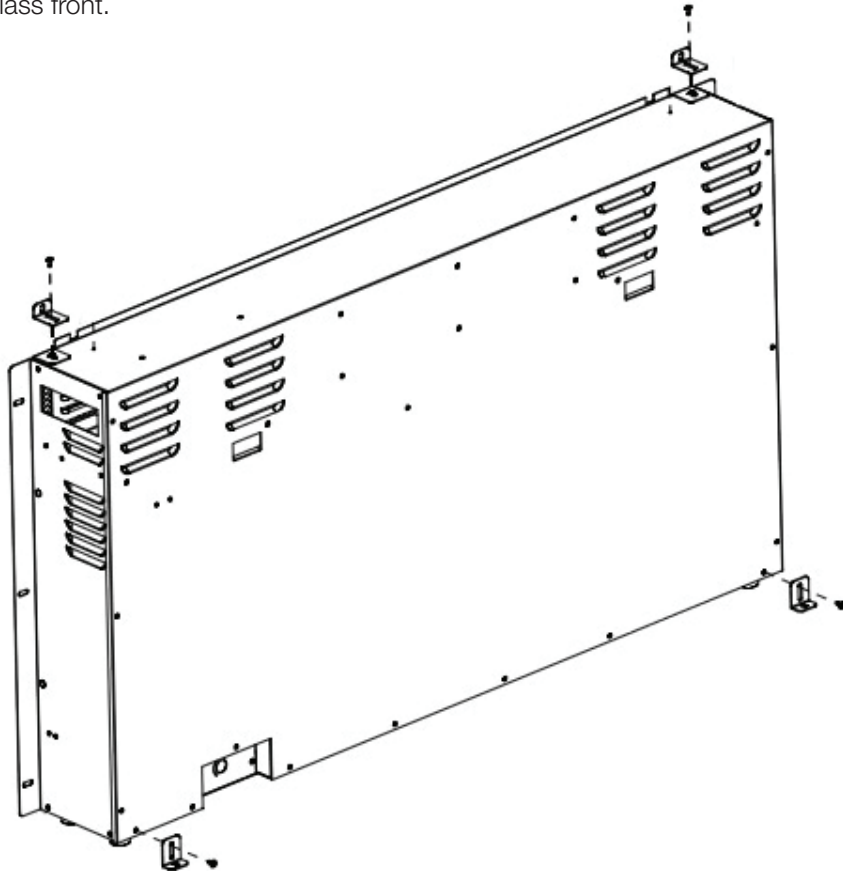
note:

The appliance tabs come bent. You must bend the tab flat by hand when fully recessing the appliance into the wall (**Fig. 4**).


Fig. 3

Fig. 4

3.4.1 installing the appliance into a mantel

- A. Remove the glass front (see "front glass removal" section).
- B. Install the rubber feet onto the bottom of the appliance for stability (see "rubber feet installation" section).
- C. Install the top and bottom brackets provided.
- D. Insert the appliance into the mantel and secure it with the brackets (or see "electric appliance mantel" installation manual for proper appliance installation instructions).
- E. Place the crystal embers along the media tray (see "crystal ember installation").
- F. Reinstall the glass front.

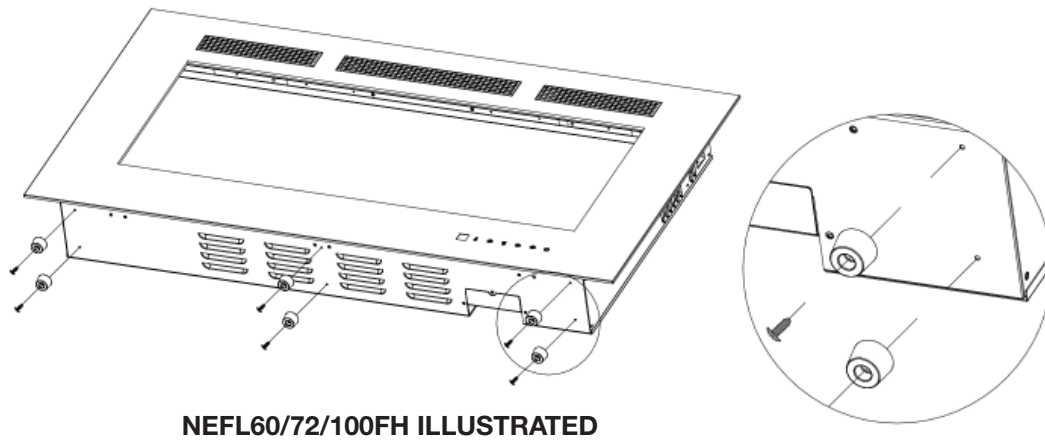
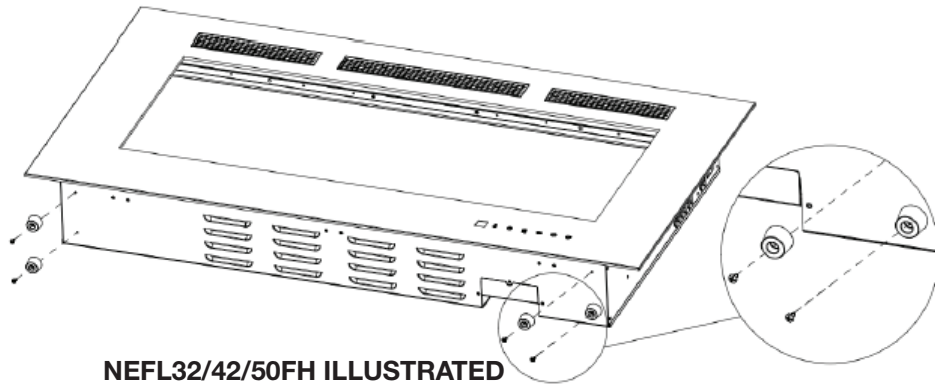


3.4.2 rubber feet installation

- A. Place the appliance face down on a soft surface.
- B. Using a screw driver, remove the screws on the bottom of the appliance.
- C. Install the 4 rubber feet (6 rubber feet for NEFL60/72/100FH) onto the bottom of the appliance using the screws from Step B. See illustrations below.

note:

The screws for installing the rubber feet are secured to the appliance. Removal of the screws is necessary for installing the rubber feet.



installation

3.5 hard wiring installation

! WARNING

- Turn off the appliance completely and let cool before servicing. Only a qualified service person should service and repair this electric appliance.

HARD WIRING CONNECTION

If it is necessary to hard wire this appliance, a qualified electrician must remove the cord connection, and wire the appliance directly to the house hold wiring. The wire and power supply breaker must be rated for 120V minimum 15 amps.

This appliance must be electrically connected and grounded in accordance with local codes, if hard wired. In the absence of local codes, use the current CSA C22.1 CANADIAN ELECTRICAL CODE in Canada or the current ANSI/NFPA 70 NATIONAL ELECTRICAL CODE in the United States.

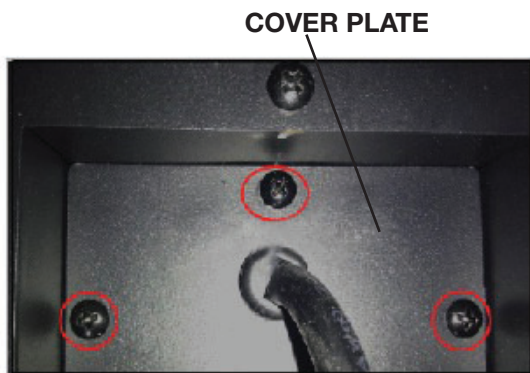


Fig. 1

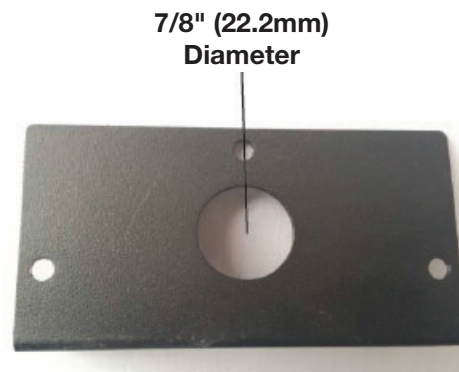


Fig. 2

- Remove the cover plate from the bottom right side of the appliance by removing the 3 screws (**Fig. 1**).
- Remove the wire connectors from the power cord. The power cord may be discarded.
- Punch out the 7/8" (22.2mm) hole in the new cover plate (supplied) (**Fig. 2**) and install a box connector into the junction box. Snap the box connector clamp onto the supply wires.
- Using the wire connectors, connect the ground green wires (G) and the common white wires (N) together, and then connect the hot black wires (L) (**Fig. 3 and 4**).
- Reinstall the cover plate using 3 screws (**Fig. 1**).

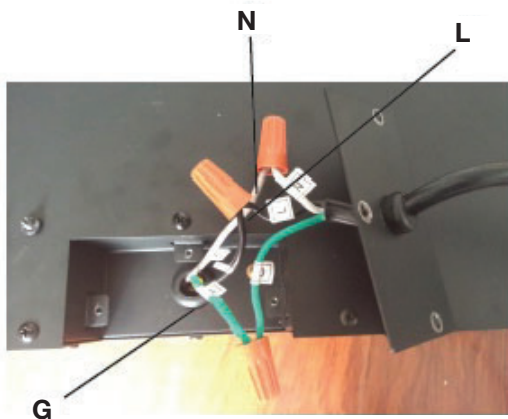


Fig. 3



Fig. 4

! WARNING

- Power supply service must be completed prior to finishing to avoid reconstruction.
- Heat vents and air openings cannot be covered in any circumstances.

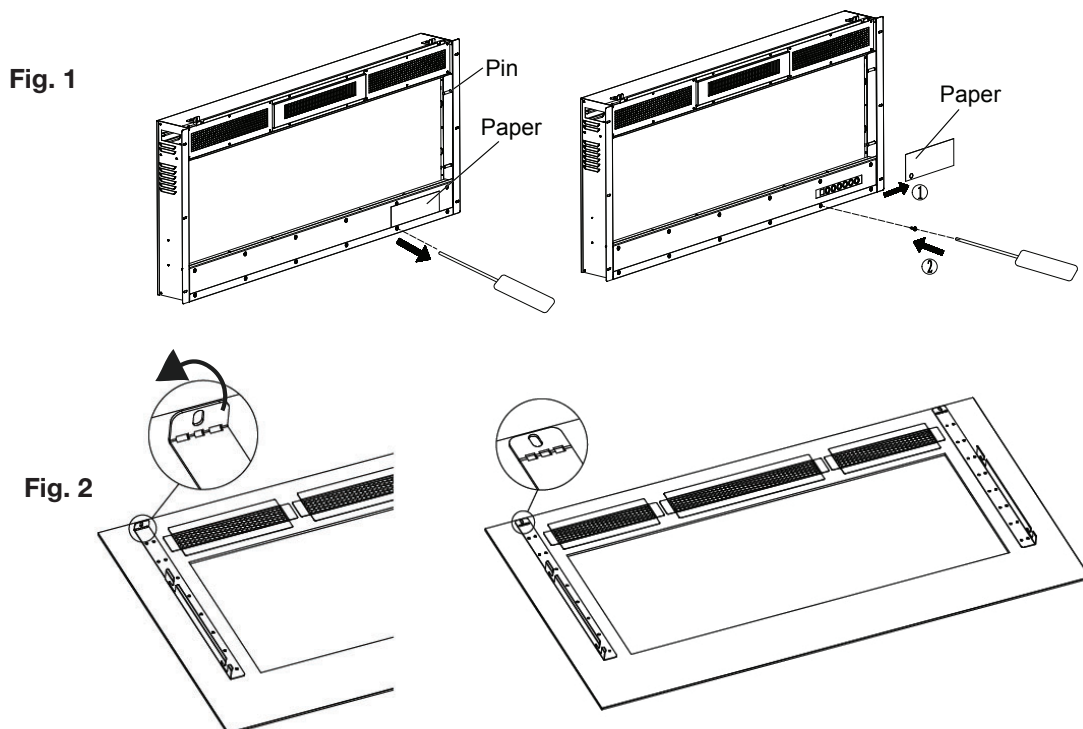
4.1 front glass installation

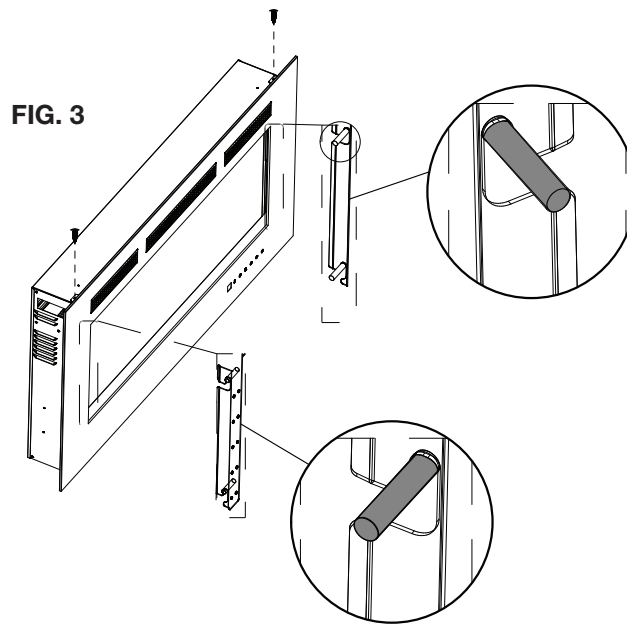
! WARNING

- Glass may be hot. Do not touch glass until cooled.
- If equipped with door latches that are part of a safety system, they must be properly engaged. Do not operate the appliance with latches disengaged.
- Facing and/or finishing materials must not interfere with air flow through air openings, louvre openings, operation of louvres, or doors/access for service. Observe all clearances when applying combustible materials.
- Before door is removed, turn the appliance off and wait until appliance is cool to the touch. Doors are heavy and fragile so handle with care.

FOR MODELS NEFL72/100FH ONLY:

- Before installing the front glass, remove the screws securing the paper board on the inside of the appliance that protects the control panel. Discard the paper board.
- Reinstall the screws (for recessed installed appliances only) (**Fig. 1**).
- Remove the 2 screws from the top of the appliance.
- Have 2 people lift the glass up and away from the appliance, holding the glass vertical not flat while carrying. Place the glass face down onto a soft, non-abrasive surface, careful not to flex the glass.
- Bend the top tabs flat (**Fig. 2**).
- Install the crystal embers (see "crystal ember installation" section).
- Install the front glass by aligning with the pins on the appliance. Press the glass in and down to securely engage with the brackets. It must be fully engaged to ensure the touch display panel performs properly.
- Secure the front glass to the top of the appliance using screws (supplied) (**Fig. 3, next page**). If fully recessed, this step is not necessary.

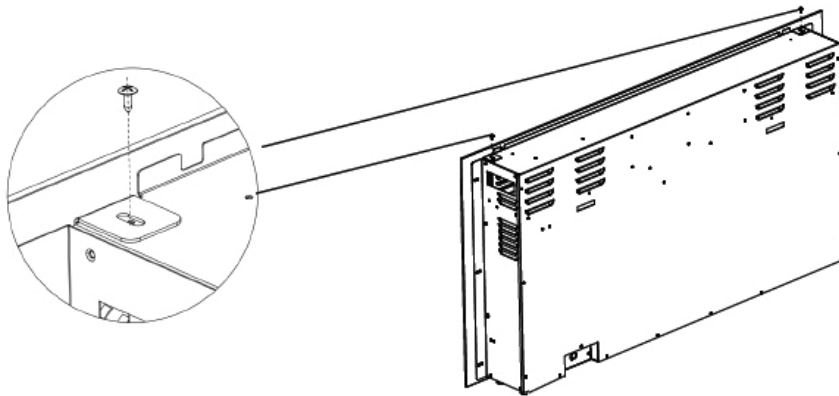




4.2 front glass removal

FOR WALL MOUNT, PARTIAL RECESS AND MANTEL INSTALLED APPLIANCES ONLY:

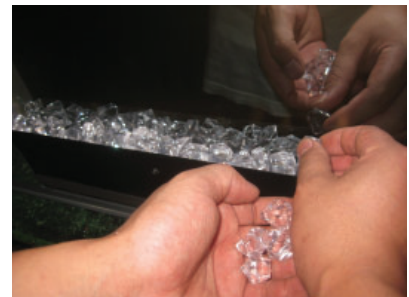
- A.** Remove the 2 screws from the top of the appliance, as shown below.
- B.** Have 2 people lift the glass up and away from the appliance, holding the glass vertical not flat while carrying. Place the glass face down onto a soft, non-abrasive surface, careful not to flex the glass.
- C.** Install the crystal embers (see "crystal ember installation" section). Install the front glass by aligning with the pins on the appliance. This ensures the touch display panel performs properly.



4.3 crystal ember installation

The glass front must be removed and the appliance must be secured in its final location before the crystal embers are installed.

- A.** Carefully place crystal embers into the bottom media tray on the front of the appliance as illustrated.
- B.** Apply an even layer from side to side.



WARNING

- While the appliance is operating, do not remove the glass panel. This will cause the remote control and touch panel to malfunction.

Once the appliance has been plugged into a grounded electrical outlet, it is ready to operate.

note:

Ensure the house circuit breakers for the power supply are turned on. In the event of a power failure, the appliance will lose its memory function and will reset to factory mode when the power returns.

5.1 main power button

The main power button is located on the front bottom right side of the appliance.









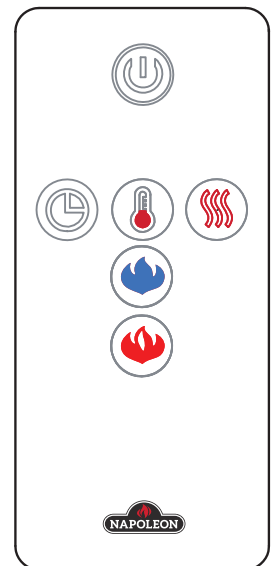
5.2 operating touch display panel and remote control

WARNING

- Do not move or remove the glass panel, when the appliance is plugged in and operating. This will cause the remote control and touch panel to no longer function.

The touch display panel is shown by LED's on the front bottom right of the appliance. The LED's will disappear after 10 seconds of no function change. The Main Power button will be dim.

POWER		Turns the appliance ON/OFF.																																					
FLAME - ORANGE		Controls Orange Flame brightness. 6 Settings: F5-F4-F3-F2-F1-F0. Flame dims from F5 to F1. F5 is the brightest setting and F0 is off.																																					
FLAME - BLUE		Controls Blue Flame brightness. 6 Settings: F5-F4-F3-F2-F1-F0. Flame dims from F5 to F1. F5 is the brightest setting and F0 is off..																																					
HEATER		Turns the heater ON/OFF. (H0) - No heater or blower. (BL) - Blower only. (H1) - Heater blows warm air (750W). (H2) - Heater blows hot air (1500W). NOTE: Heater functions cycle from H0-BL-H1-H2. Press and hold the heater button for 5s to lock the heater and temperature setting onto the selected setting. Hold the button for another 5s to unlock the heater and temperature setting.																																					
TIMER		Turns the timer ON/OFF. 9 Settings: 0.5h, 1h, 2h, 3h, 4h, 5h, 6h, 7h, 8h. Press button until desired setting is reached.																																					
TEMPERATURE		1. Press once to turn the touch panel indicator ON. 2. Press button until desired setting is reached. Digital display shows setting circles as follows: <table border="1" style="margin: 5px auto;"> <thead> <tr> <th>Display Value</th> <th>0</th> <th>1</th> <th>2</th> <th>3</th> <th>4</th> <th>5</th> <th>6</th> <th>7</th> <th>8</th> <th>9</th> <th>N</th> </tr> </thead> <tbody> <tr> <td rowspan="2">Temperature</td> <td>°C</td> <td>18</td> <td>19</td> <td>20</td> <td>21</td> <td>22</td> <td>23</td> <td>24</td> <td>25</td> <td>26</td> <td>27</td> <td>ON</td> </tr> <tr> <td>°F</td> <td>64</td> <td>66</td> <td>68</td> <td>70</td> <td>72</td> <td>74</td> <td>76</td> <td>78</td> <td>80</td> <td>82</td> <td>ON</td> </tr> </tbody> </table> NOTE: Holding the button for 5s will switch the temperature from C° to F° and vice versa.	Display Value	0	1	2	3	4	5	6	7	8	9	N	Temperature	°C	18	19	20	21	22	23	24	25	26	27	ON	°F	64	66	68	70	72	74	76	78	80	82	ON
Display Value	0	1	2	3	4	5	6	7	8	9	N																												
Temperature	°C	18	19	20	21	22	23	24	25	26	27	ON																											
	°F	64	66	68	70	72	74	76	78	80	82	ON																											



6.0 maintenance

! WARNING

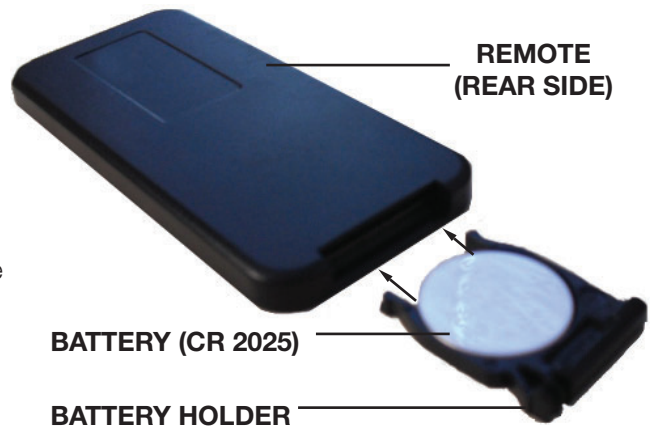
- In preparation for maintenance, always disconnect the power and allow the electric appliance to cool before performing any cleaning, maintenance or relocation of this electric appliance. Turn controls to off and remove plug from outlet or turn off the house circuit breaker to electric appliance receptacle.
- Do not install replacement lamps that exceed specified maximum watts.
- The halogen lamps in your appliance can become extremely hot. Allow at least 10 minutes between turning off the appliance and removing the lamps to avoid accidental burns.
- Do not handle the lamp with bare fingers. Oils from your skin will damage the lamps when they heat up. Use gloves or a clean dry cloth when handling lamps.

6.1 remote battery installation

note:

The remote control has a removable plastic tab to prolong the battery life while shipping, remove the tab for the remote control to function.

1. To replace the existing battery remove the battery holder.
2. To remove the battery holder turn remote onto rear side and press the left side lever towards the center while pulling the battery holder out using the slot provided.
3. Replace existing battery, type CR 2025, with a new battery and reinstall the battery holder into the remote by sliding it into position.

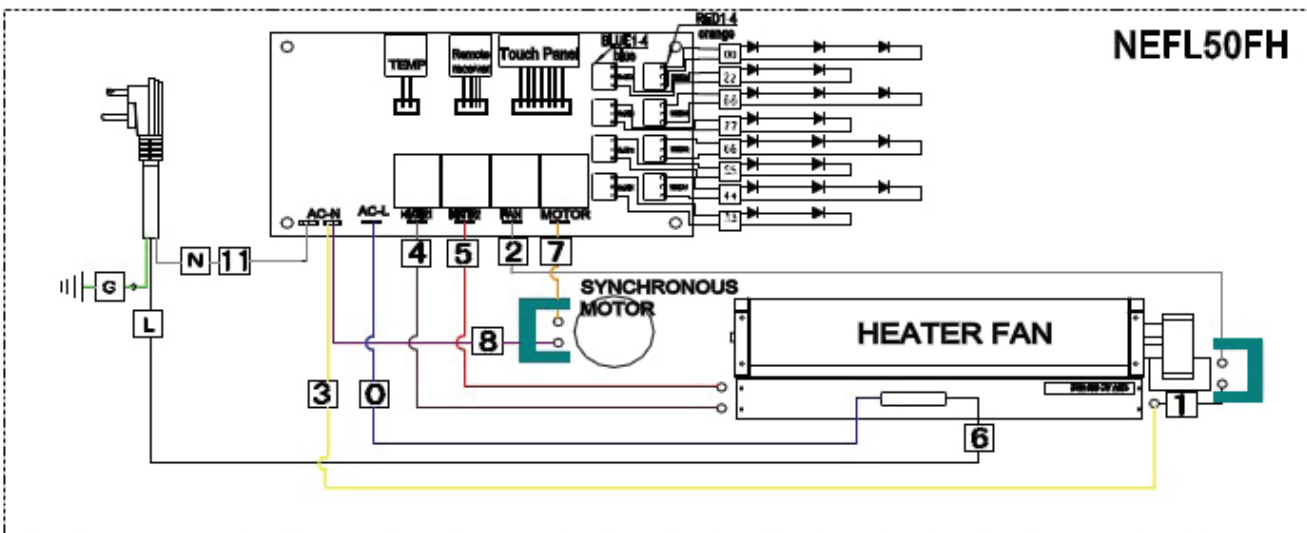
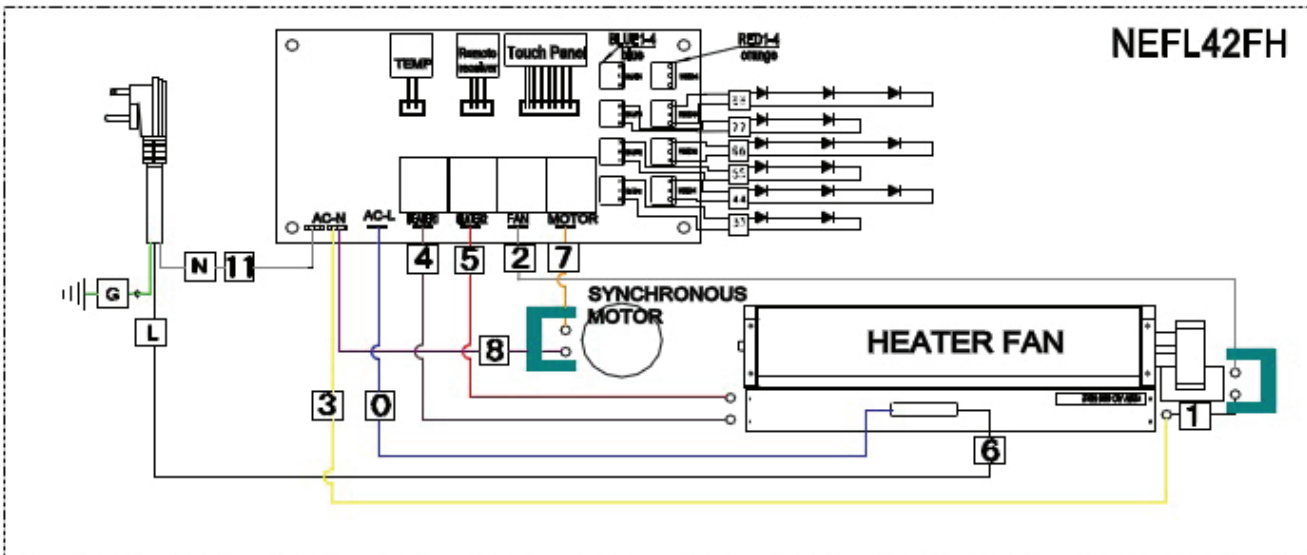
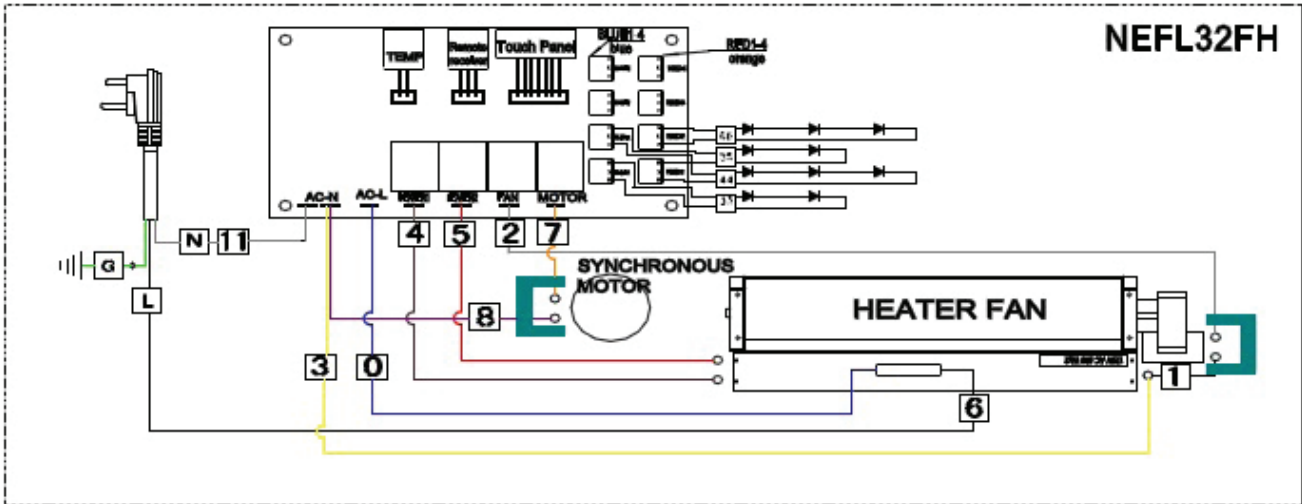


note:

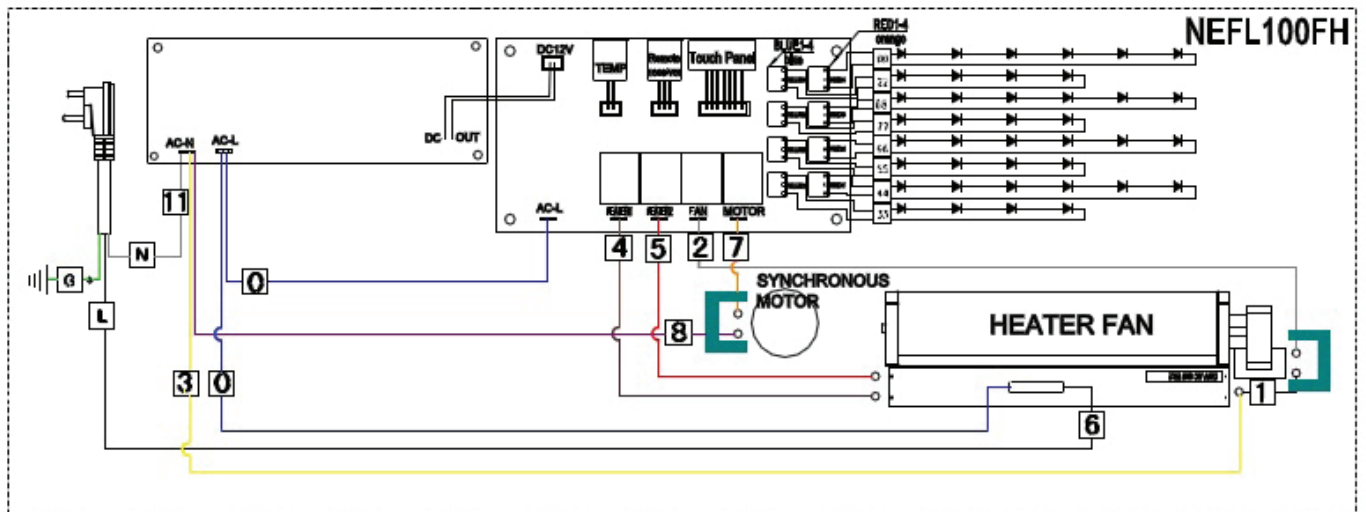
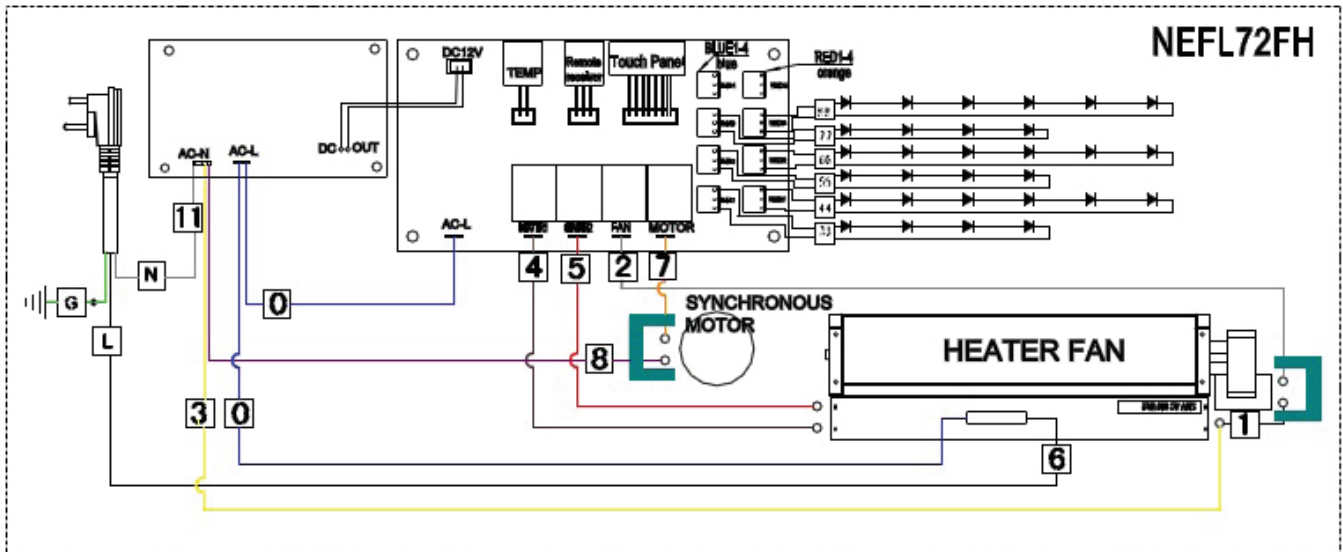
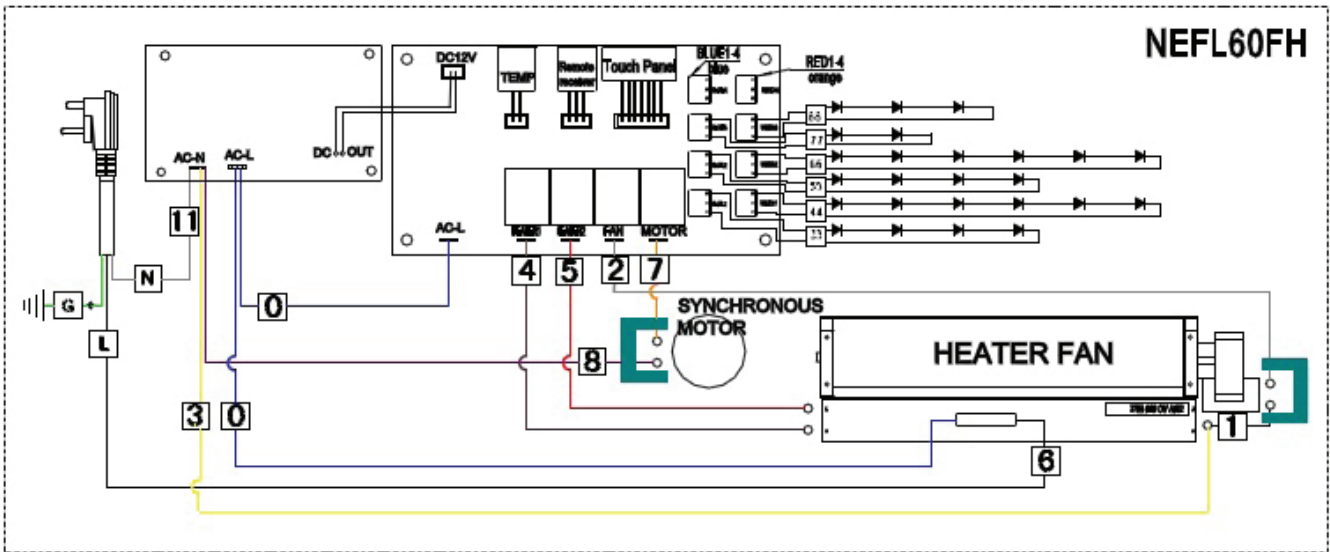
The remote control must remain within 5 meters or 17 feet of the appliance to be effective. This range may be reduced when battery power is depleted.

! WARNING

- Turn off the appliance completely and let cool before servicing. Only a qualified service person should service and repair this electric appliance.



wiring diagram



! WARNING

- Failure to position the parts in accordance with this manual or failure to use only parts specifically approved with this appliance may result in property damage or personal injury.

Contact your dealer for questions concerning prices and policies on replacement parts. Normally, all parts can be ordered through your Authorized dealer / distributor.

For warranty replacement parts, a photocopy of the original invoice will be required to honour the claim.

When ordering replacement parts always give the following information:

- Model & Serial Number of appliance
- Installation date of appliance
- Part number
- Description of part
- Finish

Parts, part numbers, and availability are subject to change without notice.

Parts identified as stocked will be delivered within 2 to 5 business days for most delivery destinations.

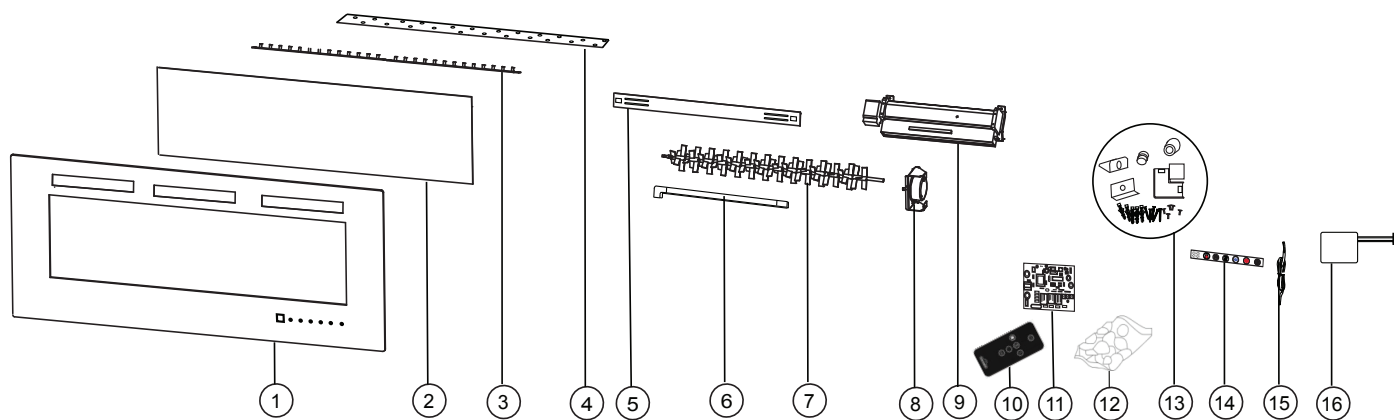
Parts not identified as stocked will be delivered within a 2 to 4 week period, for most cases.

Parts identified as 'SO' are special order and can take up to 90 days for delivery.

note:

Care must be taken when removing and disposing of any broken glass or damaged components. Be sure to vacuum up any broken glass from inside the appliance before operation.

For after-sales service, please call 1-866-820-8686.



Items may not appear exactly as illustrated.

Ref.	NEFL32FH	NEFL42FH	NEFL50FH	NEFL60FH	NEFL72FH	NEFL100FH	Description	Stocked
1	W300-0226	W300-0224	W300-0227	W300-0228	W300-0229	W300-0230	Front glass	
2	W475-1192	W475-1185	W475-1193	W475-1194	W475-1195	W475-1196	Acrylic plastic panel	
3	W405-0033	W405-0033	W405-0033	W405-0033 + W405-0037	W405-0033 + W405-0037	W405-0033 + W405-0037	LED light	
4	W497-0014	W497-0013	W497-0015	W497-0016	W497-0017	W497-0018	Plastic strip	
5	W080-1616	W080-1616	W080-1616	W080-1616	W080-1616	W080-1621	Wall mounting bracket	
6	W200-0571	W200-0572	W200-0572	W200-0572	W200-0572	W200-0572	Cord cover	
7	W527-0009	W527-0008	W527-0010	W527-0011	W527-0012	W527-0013	Reflector spindle	
8	W435-0077	W435-0077	W435-0077	W435-0077	W435-0077	W435-0077	Synchronous motor	
9	W010-3728	W010-3728	W010-3728	W010-3728	W010-3728	W010-3728	Blower and heater assembly	
10	W190-0095	W190-0095	W190-0095	W190-0095	W190-0095	W190-0095	Remote control	
11	W190-0096	W190-0096	W190-0096	W190-0101	W190-0101	W190-0101	Circuit board	
12	W497-0019	W497-0020	W497-0021	W497-0022	W497-0023	W497-0024	Crystal	
13	W370-0050	W370-0050	W370-0050	W370-0055	W370-0055	W370-0057	Hardware kit	
14	W475-1184	W475-1184	W475-1184	W475-1184	W475-1184	W475-1184	Control panel (with remote receiver)	
15	W750-0370	W750-0371	W750-0372	W750-0373	W750-0374	W750-0375	Wire harness	
16	W690-0021	W690-0021	W690-0021	W690-0021	W690-0021	W690-0021	Thermostat	

WARNING

- Turn off the appliance completely and let cool before servicing. Only a qualified service person should service and repair this electric appliance.

symptom	problem	solution
Dim or no flame.	Flame brightness not selected.	See “operation” section.
	Flame LEDs are burnt out.	Inspect the LED and replace, if necessary.
	Main PCB board is burnt out.	Inspect the main PCV board and replace, if necessary.
Ember bed is not glowing or dimming.	Brightness not selected.	See “operation” section.
	Ember LEDs are burnt out.	Inspect the ember bed LEDs and replace, if necessary.
	Main PCB board is burnt out.	Inspect the main PCV board and replace, if necessary.
No warm air coming out of the appliance.	Heater setting not selected.	See “operation” section.
	Heater has been locked out.	See “operation” section.
	Room temperature is higher than appliance setting (if set to room temperature).	Reset temperature setting.
	Appliance has overheated and safety thermal switch has tripped.	Unplug power or turn off the circuit breaker. Allow for appliance to cool for 15 minutes.
	Heater is burnt out.	Inspect the blower and heater and replace, if necessary.
Appliance turns off and will not turn on.	House circuit breaker has tripped.	Reset house circuit breaker.
	Appliance’s fuse has blown.	Replace the fuse.
	Appliance has overheated and safety thermal switch has tripped.	Unplug power or turn off the circuit breaker, allow appliance to cool for 15 minutes to reset the thermal switch, then plug in the appliance or turn the breaker on.
Appliance will not come on when power button/switch is put into the “on” position.	Appliance is not plugged into an electrical outlet.	Check plug, and plug in the appliance if necessary.
	Hard wire connections are not correct (if applicable).	See “hard-wiring installation” section.
	Appliance has overheated and safety thermal switch has tripped.	Unplug power or turn off the circuit breaker, allow appliance to cool for 15 minutes, then plug in the appliance or turn the breaker on.
	Circuit board is burnt out.	Inspect the circuit board and replace, if necessary.
Remote control does not work.	Low/dead batteries.	Replace batteries in remote control.
	Remote receiver malfunction.	Ensure remote receiver is not blocked. Replace control panel.
Heater shuts off automatically.	Room is too warm.	The heater has a built-in thermostat so it will shut off automatically once the pre-set temperature is reached. It will also turn on automatically if the room temperature drops below the pre-set temperature.
Flame does not move.	Motor is stalled/malfunctioning.	Cycle on/off. If problem persists, consult dealer.
Power failure.	Appliance has returned to default settings.	Re-program appliance to original settings (not applicable with all appliances).
LED flashing.	Appliance has overheated and safety thermal switch has tripped.	Unplug power or turn off the circuit breaker. Allow appliance to cool for 15 minutes, then plug in the appliance or turn the breaker on.

10.0 warranty

Napoleon electric appliances are manufactured under the strict Standard of the world recognized ISO 9001 : 2015 Quality Management System.

Napoleon products are designed with superior components and materials and assembled by trained craftsmen who take great pride in their work. Once assembled, the complete appliance is thoroughly inspected by a qualified and authorized installer, service agency, or supplier before packing to ensure that you, the customer, receive the quality product that you expect from **Napoleon**.

Napoleon Electric Appliance Limited Warranty

Electrical components and wearable parts are covered and **Napoleon** will provide replacement parts free of charge during the first year of limited warranty. This covers: fan/heaters, motors, switches, nylon bearing components, remote controls, and LED lights.*

Light bulbs and fuses are NOT covered by the warranty.

Any labour related to warranty repair is not covered.

* Construction of models vary. Warranty applies only to components included with your specific appliance.

Conditions and Limitations

Napoleon warrants its products against manufacturing defects to the original purchaser only. Registering your warranty is not necessary. Simply provide your proof of purchase along with the model and serial number to make a warranty claim. Provided that the purchase was made through an authorized **Napoleon** dealer, your appliance is subject to the following conditions and limitations:

Warranty coverage begins on the date of original installation.

This factory warranty is non-transferable and may not be extended whatsoever by any of our representatives.

Installation must be done in accordance with the installation instructions included with the product and all local and national building and fire codes.

This limited warranty does not cover damages caused by misuse, lack of maintenance, accident, alterations, abuse, or neglect and parts installed from other manufacturers will nullify this warranty.

This limited warranty further does not cover any scratches, dents, corrosion, or discolouring caused by excessive heat, abrasive and chemical cleaners, nor chipping on porcelain enamel parts, mechanical breakage of PHAZER™ logs.

In the first year only, this warranty extends to the repair or replacement of warranted parts which are defective in material or workmanship, provided that the product has been operated in accordance with the operation instructions and under normal conditions.

Napoleon will not be responsible for installation, labour, or any other expenses related to the reinstallation of a warranted part, and such expenses are not covered by this warranty. Notwithstanding any provisions contained in the Limited Warranty, **Napoleon** responsibility under this warranty is defined as above, and it shall not in any event extend to any incidental, consequential, or indirect damages.

This warranty defines the obligations and liability of **Napoleon** with respect to the **Napoleon** electric appliance and any other warranties expressed or implied with respect to this product; its components or accessories are excluded.

Napoleon neither assumes, nor authorizes any third party to assume, on its behalf, any other liabilities with respect to the sale of this product.

Any damages to appliance, brass trim or other component due to water, weather damage, long periods of dampness, condensation, damaging chemicals, or cleaners will not be the responsibility of **Napoleon**.

Napoleon reserves the right to have its representative inspect any product or part thereof prior to honouring any warranty claim.

All parts replaced under the Limited Warranty Policy are subject to a single claim.

All parts replaced under the warranty will be covered for a period of 90 days from the date of their installation.

The manufacturer may require that defective parts or products be returned or that digital pictures be provided to support the claim. Returned products are to be shipped prepaid to the manufacturer for investigation. If a product is found to be defective, the manufacturer will repair or replace such defect.

Before shipping your appliance or defective components, your dealer must obtain an authorization number. Any merchandise shipped without authorization will be refused and returned to sender.

Shipping costs are not covered under this warranty.

Additional service fees may apply if you are seeking warranty service from a dealer.

All specifications and designed are subject to change without prior notice due to on-going product improvements. **Napoleon** is a registered trademark of Wolf Steel Ltd.

NAPOLEON CELEBRATING OVER 40 YEARS OF HOME COMFORT PRODUCTS



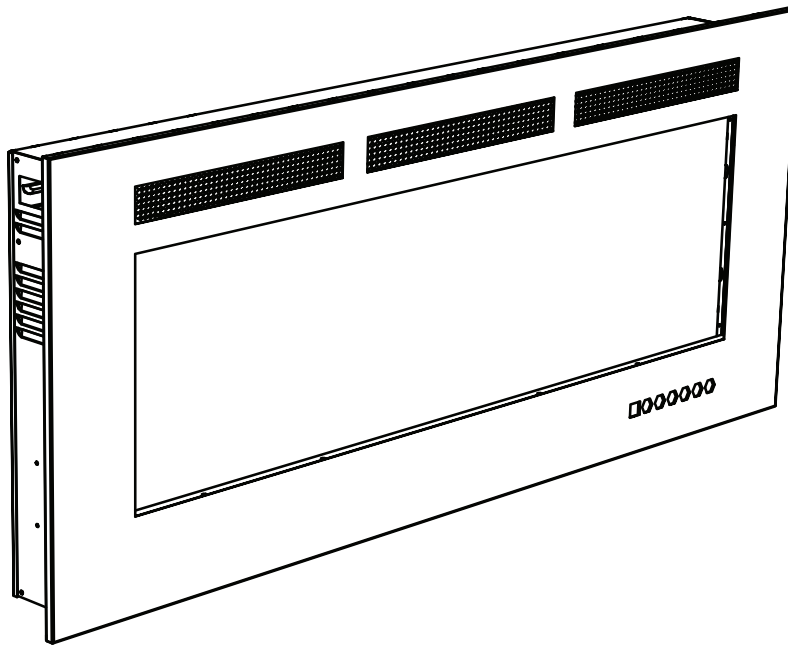
7200, Route Transcanadienne, Montréal, Québec H4T 1A3
24 Napoleon Road, Barrie, Ontario, Canada L4M 0G8
214 Bayview Drive, Barrie, Ontario, Canada L4N 4Y8
103 Miller Drive, Crittenden, Kentucky, USA 41030

Phone: 1-866-820-8686
napoleon.com



MANUEL D'INSTALLATION ET D'OPÉRATION

Série Allure^{MD}
(NEFL50FH Illustré)



CONSIGNES DE SÉCURITÉ

AVERTISSEMENT

RISQUE D'INCENDIE OU D'EXPLOSION

Si ces instructions ne sont pas suivies à la lettre, un incendie pourrait s'ensuivre causant des dommages matériels, des blessures corporelles ou des pertes de vie.

- N'entreposez pas et n'utilisez pas d'essence ou autres liquides et vapeurs inflammables à proximité de cet appareil ou tout autre appareil.

INSTALLATEUR:

Laissez ce manuel avec l'appareil

PROPRIÉTAIRE:

Conservez ce manuel pour consultation ultérieure.



Cet appareil dispose d'une télécommande qui nécessite des piles à bouton qui sont dangereuses pour les jeunes enfants.

POUR L'UTILISATION INTÉRIEUR SEULEMENT

CERTIFIÉ SELON LES NORMES NATIONALES CANADIENNES ET AMÉRICAINES:
CSA 22.2 NO. 46 / UL 2021



Wolf Steel Ltd., 24 Napoleon Rd., Barrie, ON, L4M 0G8 Canada / 103 Miller Drive, Crittenden, Kentucky, USA, 41030
Téléphone 1 (866) 826 8686 • www.napoleon.com • hearth@napoleon.com

AVERTISSEMENT

- **Si équipé avec un chauffage, cet appareil peut être chaud lorsqu'il fonctionne et peut causer de graves brûlures en cas de contact.**
- Ne faites pas fonctionner l'appareil avant d'avoir lu et compris les instructions d'utilisation. L'incapacité de respecter les instructions pourrait causer un incendie ou des blessures corporelles.
- N'installez pas de composants endommagés ou incomplets, ni des composants de substitution.
- Ne brûlez pas de bois ou autres matériaux dans cet appareil.
- Tous les appareils électriques contiennent des composants internes qui deviennent chauds et qui produisent des étincelles. N'utilisez pas cet appareil dans des endroits où de l'essence, des peintures ou d'autres liquides inflammables sont présents.
- Les grillages de sécurités ou écrans enlevés pour faire l'entretien devront être remis en place avant d'utiliser l'appareil.
- Il est primordial de garder propres les compartiments de contrôle, les brûleurs, la soufflerie, les bouches d'air de l'appareil ainsi que le système d'évacuation. L'appareil et son système d'évacuation doivent être inspectés avant la première utilisation et au moins une fois l'an par un spécialiste en entretien. Un entretien plus fréquent pourrait être nécessaire en raison des peluches provenant des tapis, literie, etc. L'emplacement de l'appareil doit être gardé libre de tous matériaux combustibles, essence ou autres liquides et vapeurs inflammables.
- Cet appareil ne devra être modifié en aucun cas.
- N'utilisez pas cet appareil si une partie quelconque a été submergée. Contactez immédiatement un technicien de service qualifié pour inspecter l'appareil et pour remplacer toute pièce du système de contrôle qui aurait été submergée.
- Si équipé avec une porte vitrée, n'opérer pas l'appareil lorsque la porte vitrée est enlevée, fissurée ou brisée. Le remplacement de la vitre devra être effectué par un technicien de service certifié ou qualifié.
- Si équipé avec un porte vitrée, ne frappez pas et ne claquez pas la porte vitrée de l'appareil.
- Les matériaux d'emballage doivent être gardés hors de la portée des enfants et mis au rebut de façon sécuritaire. Comme tous les emballages de plastique, ceux-ci ne sont pas des jouets et doivent demeurer hors de la portée des enfants et des bébés.
- L'entretien ne doit être effectué que lorsque l'appareil est débranché du circuit électrique.
- Débranchez toujours l'appareil lorsqu'il n'est pas utilisé.
- N'utilisez pas l'appareil si le cordon d'alimentation ou la fiche sont endommagés, s'il ne fonctionne pas bien, ou s'il a été échappé ou endommagé d'une quelconque façon. Retournez l'appareil à un centre de service autorisé pour une inspection, des ajustements électriques ou mécaniques ou une réparation.
- N'utilisez pas cet appareil à l'extérieur.
- Lorsque vous installez cet appareil dans une pièce où l'eau est présente, l'installation doit se conformer aux codes reconnaissant le risque accru de décharge électrique et d'électrocution.

note:

Cet appareil NE PEUT PAS être installé dans une salle de bain.

- Ne passez pas le cordon d'alimentation sous un tapis. Ne recouvrez pas le cordon avec des carpettes, des tapis de couloir ou autres revêtements similaires. Évitez de placer le cordon dans un endroit passant ou à un endroit où il risque de causer des chutes.
- Branchez seulement dans une prise de courant adéquatement mise à la terre.
- N'insérez pas d'objets dans les ouvertures d'entrée d'air ou de sortie d'air puisque cela risque d'endommager l'appareil ou causer des chocs électriques ou un incendie.
- Il est normal que votre appareil électrique produise du bruit, surtout s'il est installé dans un endroit calme comme un chambre à coucher.

! AVERTISSEMENT

- Pour prévenir les risques d'incendie, ne bloquez pas les entrées d'air et les sorties d'air de quelque manière que ce soit. Ne placez pas cet appareil sur une surface molle telle qu'un tapis où les ouvertures pourraient se bloquer.
- Toujours brancher l'appareil directement dans une prise murale. N'utilisez pas de cordons d'alimentation ou une robinet d'alimentation relogeables (alimentation/multiprise).
- Cet appareil a été testé et homologué pour usage avec les accessoires optionnels listés dans ce manuel uniquement. L'utilisation d'accessoires optionnels qui n'ont pas été spécifiquement testés pour cet appareil électrique annulera la garantie de l'appareil et/ou présentera des risques pour la sécurité.

Pour les appareil équipé avec chauffage:

- Risque de brûlures. L'appareil doit être éteint et refroidi avant d'effectuer l'entretien. Pour débrancher l'appareil, mettez d'abord les boutons de contrôle à « OFF » puis retirez la fiche de la prise de courant.
- Les jeunes enfants doivent être supervisés attentivement lorsqu'ils sont dans la même pièce que l'appareil recommandés s'il y a dans la maison des individus à risque. Les jeunes enfants et autres personnes sont sujets aux brûlures accidentelles. Une barrière de protection est recommandée s'il y a dans la maison des individus à risque. Afin de restreindre l'accès à l'appareil, installez une barrière de protection ajustable pour garder les jeunes enfants ou autres personnes à risque hors de la pièce et loin des surfaces chaudes.
- Les vêtements et autres matériaux combustibles ne doivent pas être posés sur l'appareil ou à proximité.
- En raison des températures élevées, l'appareil devrait être placé loin des endroits passants et loin des meubles et des rideaux.
- Assurez-vous de disposer de mesures de sécurité adéquates pour empêcher les jeunes enfants de toucher aux surfaces chaudes.
- Même lorsque l'appareil est éteint, la porte et l'écran demeureront chauds pendant un bon moment.
- Consultez votre détaillant local de foyer pour connaître les grillages de sécurité et les écrans offerts pour protéger les enfants des surfaces chaudes. Ces grillages de sécurité et ces écrans doivent être fixés au plancher.
- Assurez-vous de respecter les dégagements aux matériaux combustibles lorsque vous installez un manteau ou des tablettes au-dessus de l'appareil. Les téléviseurs et autres composants électroniques sournis à des températures élevées peuvent fondre, se déformer, se décolorer et entraîner des défaillances prématurées de ces appareils.

! AVERTISSEMENT: Ce produit peut vous exposer à des substances chimiques incluant le plomb et les composés de plomb qui, selon l'État de Californie, causeraient le cancer, et des substances chimiques incluant le BBP et DEHP qui, selon d'État de Californie, causeraient des malformations congénitales ou autres dangers pour la reproduction. Pour de plus amples renseignements, visitez le www.P65Warnings.ca.gov.

table de matières

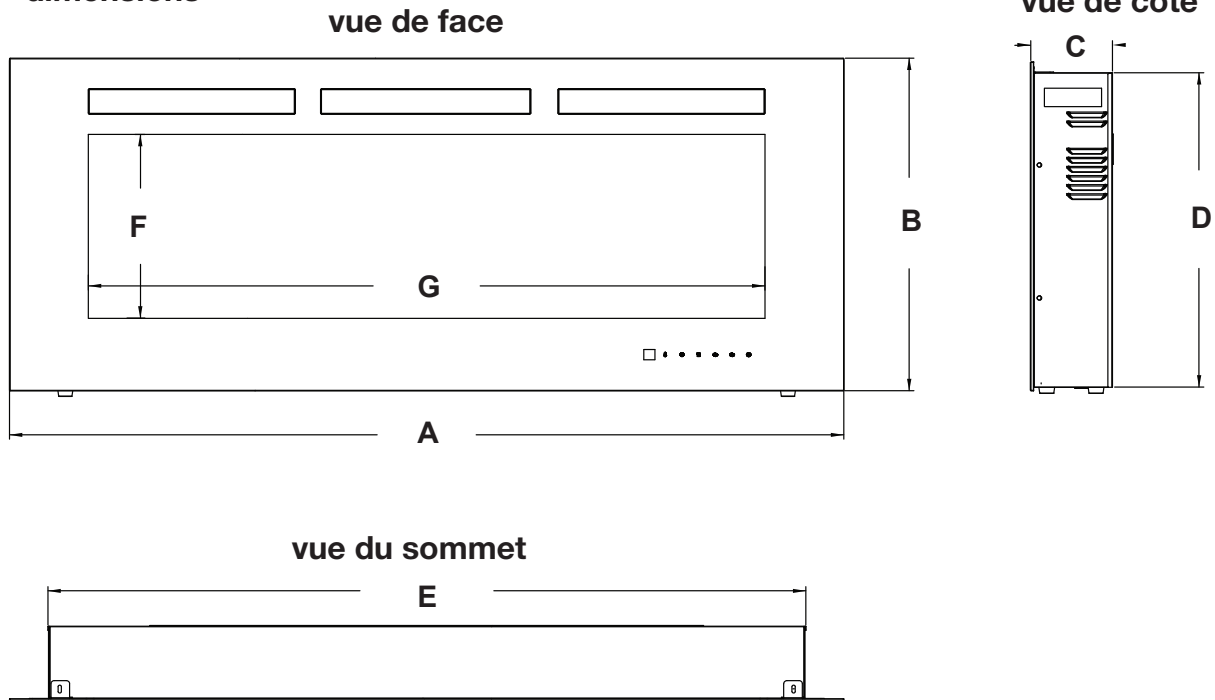
FR

1.0	information générales	33
1.1	dimensions	33
1.2	information produit	33
1.3	homologations	34
1.4	instructions générales	34
1.5	déballage et vérification de l'appareil	34
1.6	liste des pièces	35
1.7	information à propos de la plaque d'homologation	36
2.0	emplacement de l'appareil	37
2.1	mise à la terre de l'appareil	37
3.0	installation	38
3.1	dégagements minimaux aux matériaux combustible	38
3.2	dégagements minimaux de tablette	38
3.3	l'installation de l'appareil sur le mur	39
3.3.1	ossature	40
3.4	encastrement de l'appareil dans le mur	41
3.4.1	l'installation de l'appareil dans une tablette	42
3.4.2	l'installation des pieds en caoutchouc	43
3.5	branchement par câble	44
4.0	 finition	45
4.1	l'installation de verre avant	45
4.2	l'enlèvement de verre avant	46
4.3	l'installation de braise en cristal	46
5.0	instructions de fonctionnement	47
5.1	bouton d'alimentation principal	47
5.2	utilisation du panneau de contrôle et télécommande	47
6.0	entretien	48
6.1	l'installation des piles de la télécommande	48
7.0	schéma de câblage	49
8.0	pièces de rechange	51
9.0	guide de dépannage	53
10.0	garantie	55
11.0	notes	56

note:

L'information contenue dans ce manuel est jugée correcte au moment de l'impression. Wolf Steel Ltd. se réserve le droit de modifier ou de modifier toute information contenue dans ce manuel à tout moment sans préavis. Les modifications, autres que les éditoriaux, sont désignées par une ligne verticale dans la marge.

1.1 dimensions



1.2 information produit

DIMENSIONS							
NO. DE MODÈLE	A	B	C	D	E	F	G
NEFL32FH	32" (813mm)	21 5/8" (550mm)	5" (127mm)	20 1/2" (520mm)	27 5/16" (694mm)	12" (304mm)	22 5/16" (567mm)
NEFL42FH	42" (1067mm)	21 5/8" (550mm)	5" (127mm)	20 1/2" (520mm)	37 1/2" (951mm)	12" (304mm)	32 5/16" (821mm)
NEFL50FH	50" (1270mm)	21 5/8" (550mm)	5" (127mm)	20 1/2" (520mm)	45 7/16" (1154mm)	12" (304mm)	40 5/16" (1024mm)
NEFL60FH	60" (1524mm)	21 5/8" (550mm)	5" (127mm)	20 1/2" (520mm)	55 5/16" (1405mm)	12" (304mm)	50 5/16" (1278mm)
NEFL72FH	72" (1830mm)	21 5/8" (550mm)	5" (127mm)	20 1/2" (520mm)	67 3/8" (1711mm)	12" (304mm)	62 5/8" (1583mm)
NEFL100FH	100" (2540mm)	21 5/8" (550mm)	5" (127mm)	20 1/2" (520mm)	95 3/8" (2422mm)	12" (304mm)	90 9/16" (2300mm)

NO. DE MODÈLE	POIDS NET	POIDS BRUT
NEFL32FH	34.6lbs (15.7kg)	50.3lbs (22.8kg)
NEFL42FH	44.3lbs (20.1kg)	60.2lbs (27.3kg)
NEFL50FH	50.9lbs (23.1kg)	70lbs (31.5kg)
NEFL60FH	61.3lbs (27.8kg)	82lbs (37.2kg)
NEFL72FH	81.8lbs (37.1kg)	117.3lbs (53.2kg)
NEFL100FH	111.3lbs (50.5kg)	159.4lbs (72.3kg)

Description	Appareil Électrique
Type	Appareil de Montage à 3 Voies Montage Mural, Encastré dans le Mur et Assembler avec Tablette
Tension	120V AC
Puissance	MAX 1500W
Ampères	15 A circuit Mis à la Terre

information générales

FR

1.3 homologations

Cet appareil a été testé selon les normes CSA pour foyers électriques installés de façon permanente aux États-Unis et au Canada. Si vous avez besoin d'assistance durant l'installation, veuillez contacter votre détaillant local.

note:

Cet appareil doit être raccordé électriquement et mis à la terre selon les codes locaux ou, en l'absence de tels codes, avec le National Electrical Code ANSI/NFPA 70-la dernière édition aux États-Unis ou le Code canadien de l'électricité CSA C22.1 au Canada.

1.4 instructions générales

- Avant de brancher votre appareil dans une prise de courant, vérifiez si le disjoncteur de la maison pour ce circuit est allumé.
- Il est possible que l'appareil dégage une légère odeur inoffensive lors de la première utilisation. Cela est une condition normale causée par le chauffage initial des éléments de l'appareil. Elle ne se reproduira plus.
- Si votre appareil n'émet pas de chaleur lorsqu'il est sollicité, consultez la section « fonctionnement » de ce manuel pour de plus amples renseignements.
- Utilisez avec un limiteur de surtension certifié CSA ou UL.
- Ne faites pas passer le cordon d'alimentation directement sous l'appareil.

Cet appareil électrique répond aux normes de construction et de sécurité du H.U.D. pour des applications dans des maisons préfabriquées lorsque installé selon ces instructions.

Comme avec la plupart des appareils électroniques, votre nouveau foyer électrique a été conçu pour fonctionner à des températures comprises entre 5°C (41°F) et 35°C (95°F). Pendant les mois froids de l'hiver, la cheminée permet d'atteindre la température ambiante avant de l'allumer.

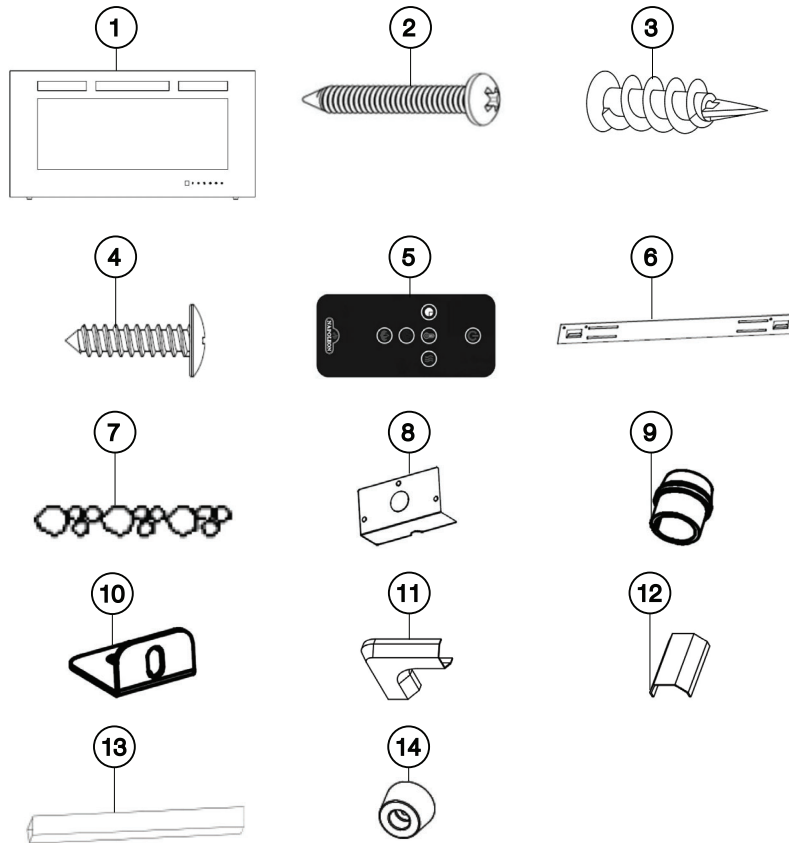
1.5 déballage et vérification de l'appareil

Retirez soigneusement l'appareil de la boîte. Avant d'installer l'appareil, assurez-vous qu'il fonctionne bien en branchant le cordon d'alimentation dans une prise de courant mise à la terre de 120 V.

note:

Les modèles NEFL72/100FH ne sont pas livrés avec le verre avant assemblé sur l'appareil. Voir la section « l'installation de verre avant » pour l'assemblage.

1.6 liste des pièces



Réf.	Description	Quantité					
		NEFL32FH	NEFL42FH	NEFL50FH	NEFL60FH	NEFL72FH	NEFL100FH
1	Appareil	1	1	1	1	1	1
2	Vis à Bois	6	6	6	12	12	16
3	Ancrages pour Cloisons Sèches	6	6	6	12	12	16
4	Vis Métalliques ST 4 x 12	8	8	8	8	8	8
5	Télécommande	1	1	1	1	1	1
6	Support Mural	1	1	1	2	2	2
7	Cristaux	2	2	2	2	2	2
8	Plaque de Couverture	1	1	1	1	1	1
9	Décharge de Traction	1	1	1	1	1	1
10	Support Métallique	4	4	4	4	4	4
11	Coin du Cordon	4	2	2	2	2	2
12	Coin de Cordon	4	2	2	2	2	2
13	Cache de Cordon	4	2	2	2	2	2
14	Pied en Caoutchouc	4	4	4	6	6	6

information générales

FR 1.7 information à propos de la plaque d'homologation

CERTIFIED UNDER CANADIAN AND AMERICAN NATIONAL STANDARD: CSA 22.2 NO. 46 AND UL 2021 /
HOMOLOGUÉ SELON LES NORMES NATIONALES CANADIENNES ET AMÉRICAINES: CSA 22.2 NO. 46 UL 2021

ELECTRIC FIREPLACE. SUITABLE FOR BEDROOM
AND BED-SITTING ROOM INSTALLATION. SUITABLE
FOR MOBILE HOME INSTALLATION.

FOYER À ÉLECTRIQUE. HOMOLOGUE POUR
INSTALLATION DANS UNE CHAMBRE À COUCHER, UNE
SALLE DE BAIN ET UN STUDIO. APPROPRIÉ POUR
INSTALLATION DANS UNE MAISON MOBILE.

MASTER CONTRACT: 161746

CONTRAT-CADRE: 161746


C US

NEFL32FH CEFL32FH NEFL60FH CEFL60FH
 NEFL42FH CEFL42FH NEFL72FH CEFL72FH
 NEFL50FH CEFL50FH NEFL100FH CEFL100FH

MODELS / MODÈLES

VOLTAGE: 120 VAC **TENSION: 120VCA**
FREQUENCY: 60Hz **FRÉQUENCE: 60Hz**
POWER: 1500W **PUISSANCE: 1500W**
DATE CODE: **CODE DE DATE:**

DESIGNED IN NORTH AMERICA DESIGN AMÉRIQUE DE NORD
BY WOLF STEEL LTD. PAR WOLF STEEL LTD.
MADE IN CHINA FABRIQUE EN CHINE

WOLF STEEL LTD.
24 NAPOLEON ROAD,
BARRIE, ON, L4M 0G8 CANADA

SERIAL NUMBER/NO. DE SERIE: NEFL

W385-2095

Cette illustration est à titre de référence seulement. Consultez la plaque d'homologation pour obtenir l'information précise.

note:

La plaque d'homologation doit rester avec l'appareil à tout le temps. Elle ne doit pas être enlevée.

AVERTISSEMENT

- En raison des températures élevées, l'appareil devrait être placé loin des endroits passants. Gardez tous les articles combustibles tels que les meubles, les oreillers, la literie, le papier, les vêtements, et les rideaux à une distance d'au moins 36" (91,4cm) de la façade de l'appareil.
- Ne placez jamais l'appareil électrique à un endroit où il risque de tomber dans une baignoire ou tout autre réservoir contenant de l'eau.
- Portez des gants de protection et des lunettes de sécurité lors de l'installation et de l'entretien.
- Afin d'éviter tout contact avec de l'isolant qui s'affaisse, l'appareil électrique ne doit pas être installé contre un coupe-vapeur ou de l'isolant à découvert. Une surchauffe localisée peut survenir et un incendie pourrait s'ensuivre.
- L'appareil électrique ne doit pas être exposé aux conditions extérieures (par ex. la pluie, la neige, etc.).

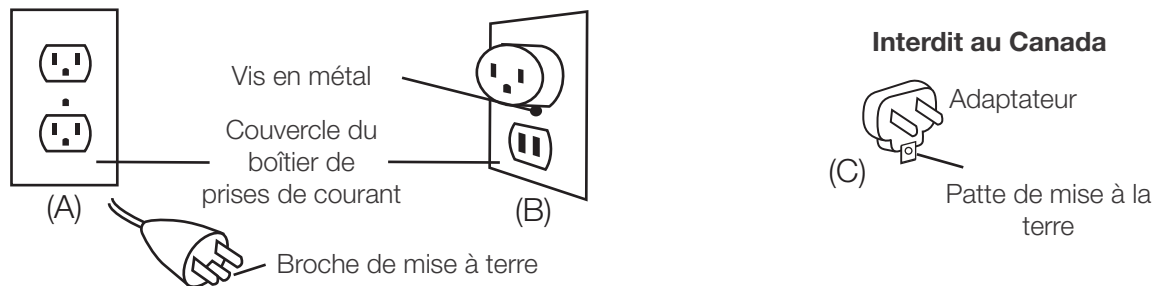
2.1 mise à la terre de l'appareil

Cet appareil doit être branché sur un circuit de 120 volts. Son cordon d'alimentation est équipé d'une fiche comme illustré en (A) ci-contre. Un adaptateur, tel qu'illustré en (C), est disponible pour brancher des fiches à trois branches avec mise à la terre dans des prises à deux fentes, tel qu'illustré en (B).

La patte verte de mise à la terre de l'adaptateur doit être branchée dans une prise de courant mise à la terre de façon permanente telle qu'un boîtier de prises de courant mis à la terre. L'adaptateur ne doit pas être utilisé si une prise de courant mise à la terre à trois fentes est disponible.

Pour débrancher l'appareil, mettez les boutons de contrôle à « OFF » puis retirez la fiche de la prise du courant.

Méthodes de mise à la terre



note:

L'appareil doit être connecté à un circuit de 15 ampères. L'utilisation d'un cordon d'extension N'EST PAS autorisée.

3.0 installation

FR

! AVERTISSEMENT

- Risque d'incendie! Le cordon d'alimentation ne doit pas être coincé contre une arrête vive. Fixez le cordon pour éviter les chutes ou les accrochages afin de réduire le risque d'incendie, de choc électrique ou de blessures corporelles. Ne passez pas le cordon d'alimentation sous un tapis. Ne recouvrez pas le cordon avec des carpettes, des tapis de couloir ou autres revêtements similaires. Évitez de placer le cordon dans un endroit passant ou à un endroit où il risque de causer des chutes.
- Risque d'incendie! Pour prévenir les risques d'incendie, ne bloquez pas les entrées d'air et les sorties d'air de quelque manière que ce soit. Ne placez pas cet appareil sur une surface molle où les ouvertures pourraient se bloquer.
- Risque d'incendie! Ne soufflez pas ou ne placez pas d'isolant contre l'appareil.
- Cet appareil électrique a été testé et homologué pour usage avec les accessoires optionnels listés dans ce manuel uniquement. L'utilisation d'accessoires optionnels qui n'ont pas été spécifiquement testés pour cet appareil électrique annulera la garantie de l'appareil et/ou présentera des risques pour la sécurité.
- Si ces instructions ne sont pas suivies à la lettre, un incendie ou une explosion pourraient s'ensuivre, causant des dommages matériels, des blessures corporelles ou des pertes de vie. N'entreposez pas et n'utilisez pas d'essence ou autres vapeurs inflammables à proximité de cet appareil ou tout autre appareil.
- Étant donné la lourdeur de cet appareil, il est recommandé que deux personnes en fassent l'installation.
- Si votre appareil est équipé avec chauffage, assurez-vous que les ouvertures de la chauffage ne peut pas, dans aucune façon, être recouverts car il peut provoquer un incendie.
- N'exécutez pas le cordon d'alimentation horizontalement, directement en dessous de l'appareil.

Votre appareil est fixé au mur, encadré et/ou un appareil installé avec tablette. Choisir un emplacement convenable qui n'est pas susceptible à l'humidité et est loin des tentures, les meubles et les hauts secteurs de circulation.

note:

Suivre tous les codes électriques nationaux et locaux.

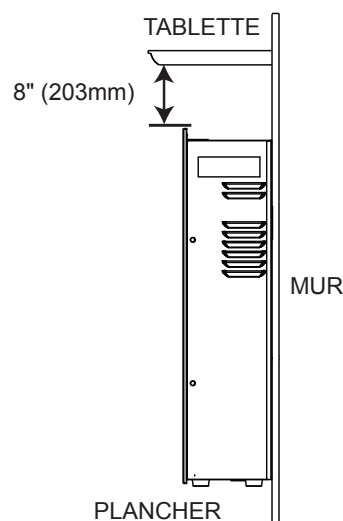
3.1 dégagements minimaux aux matériaux combustible

Les mesures sont prises à partir de la façade vitrée.			
Dessous	0"	Haut	8" (203mm) au tablette
Côtés	0"	Haut	8" (203mm) au plafond
Arrière	0"		

3.2 dégagements minimaux de tablette

! AVERTISSEMENT

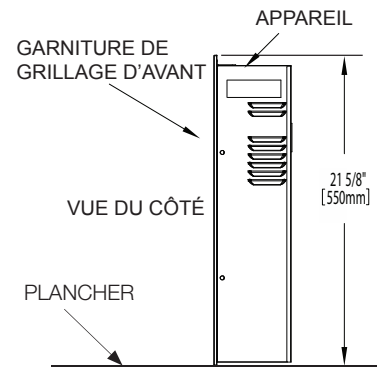
- Lors de l'utilisations de la peinture ou laque pour la finition de la tablette, la peinture ou laque doivent être résistants à la chaleur pour empêcher la décoloration.



3.3 l'installation de l'appareil sur le mur

Puisque les murs peuvent être recouverts de divers matériaux, nous vous conseillons fortement de retenir les services d'un professionnel qualifié pour ces travaux.

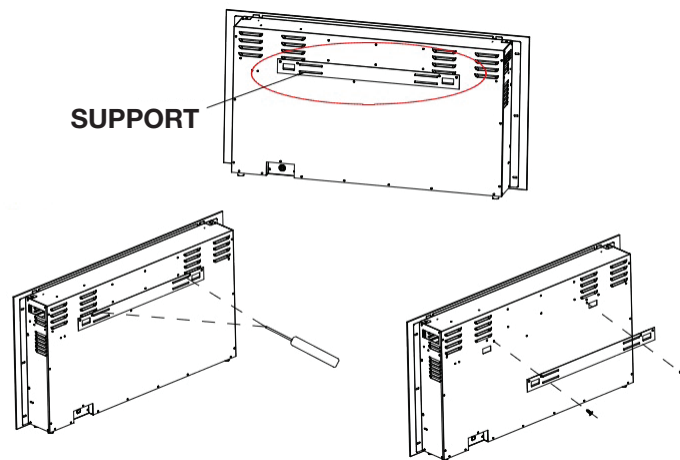
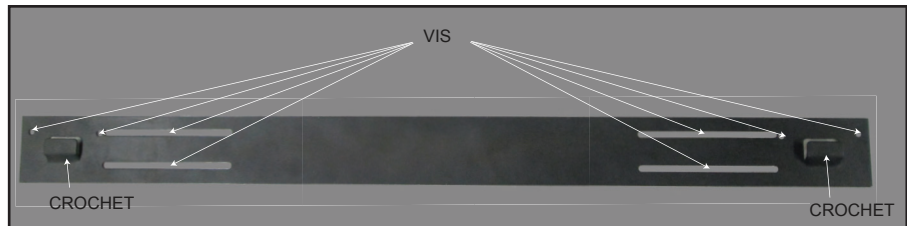
- Choisissez un endroit non sujet à l'humidité et situé à au moins 36" (91,4cm) des articles combustibles, tels que les rideaux, meubles, literie, papier, etc.
- Demandez à 2 personnes d'appuyer et de maintenir l'appareil contre le mur pour en déterminer l'emplacement définitif.
- Placez l'appareil face vers le bas sur une surface douce et non abrasive. Enlevez le support de fixation de l'arrière de l'appareil en l'enlevant les vis (voir les illustrations ci-dessous).
- Marquer la position, puis montez le(s) support(s) sur le mur à l'aide des vis (fournies). C'est **NÉCESSAIRE** pour le support muni d'avoir les crochets nivelé et orienter vers l'haut.



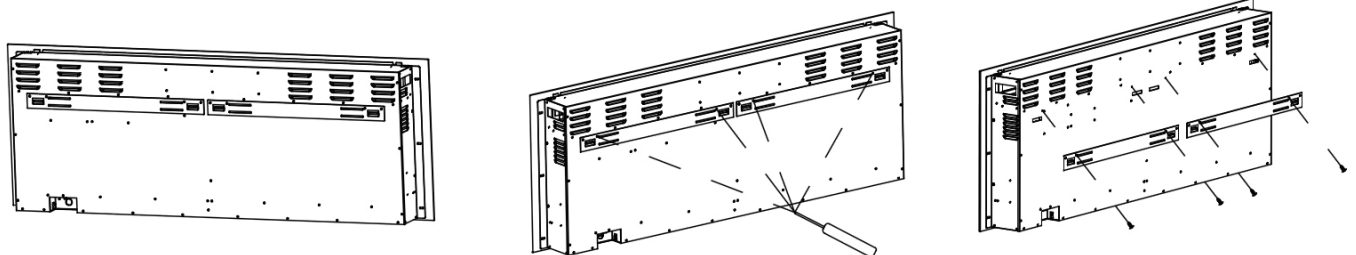
note:

Il est fortement recommandé que vous vissez le support de montage dans les montants du mur où possible. Si les montants du mur ne peuvent pas être utilisés, assurez vous que les ancrages en plastique fournis sont utilisés pour le fixer le support au mur et le support est assuré de manière adéquate.

- Après l'installation du support muni, soulevez l'appareil avec 2 personnes et insérez les 2 crochets sur le support dans les 2 encoches à l'arrière de l'appareil.
- Vérifiez la stabilité de l'appareil en vous assurant que l'appareil est bien ancré dans le mur et que l'appareil ne tombera pas.



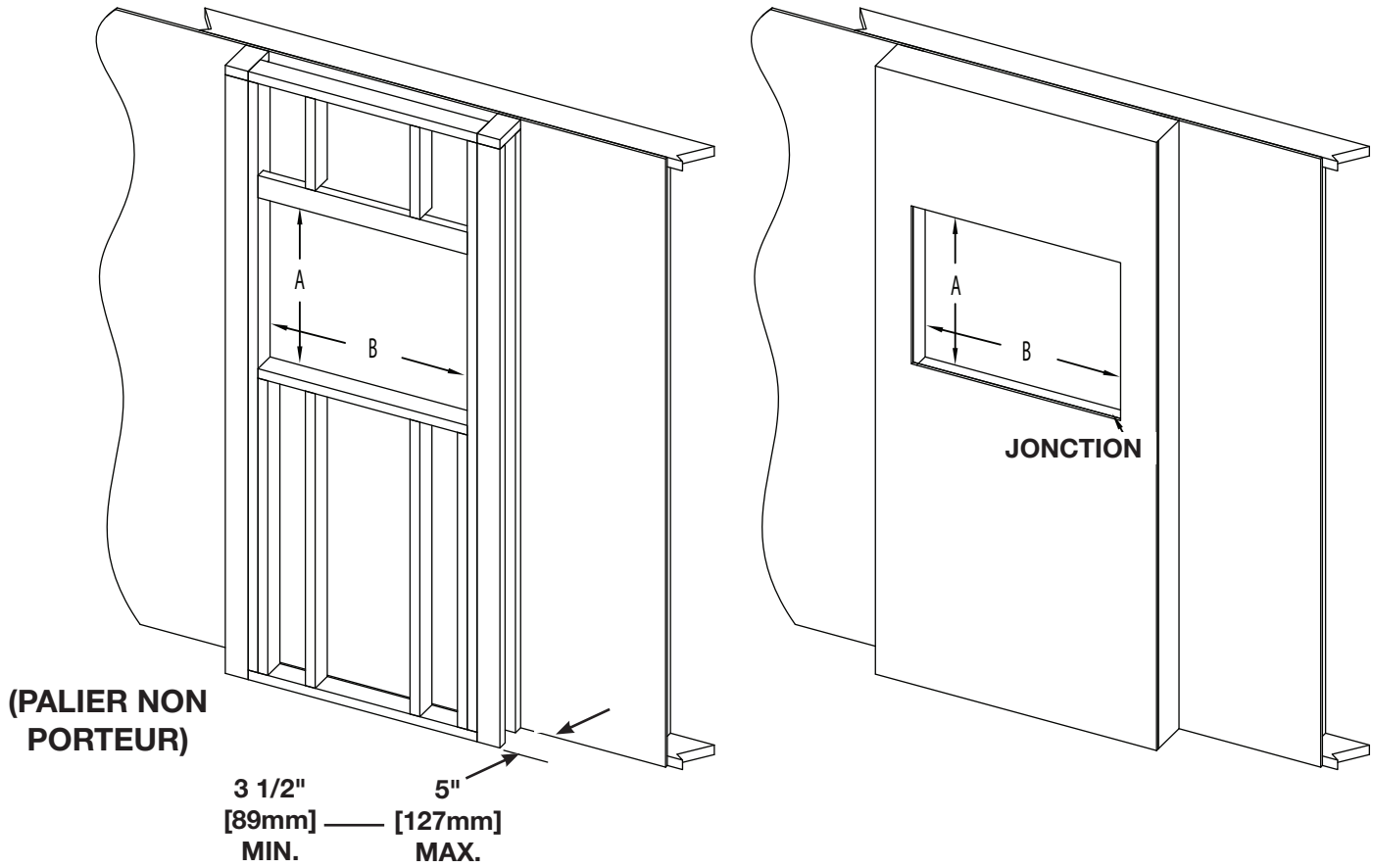
NEFL32/42/50FH ILLUSTRÉE



NEFL60/72/100FH ILLUSTRÉE

Les mesures sont prises du corps:	
Côtés, l'arrière et le sommet	0"

Matériels de Finition



NO. DE MODÈLE	A	B
NEFL32FH	21" (53,5cm)	27 13/16" (70,7cm)
NEFL42FH	21" (5,35cm)	38" (96,5cm)
NEFL50H	21" (53,5cm)	45 15/16" (116,6cm)
NEFL60H	21" (53,5cm)	55 13/16" (141,8cm)
NEFL72H	21" (53,5cm)	67 7/8" (172,5cm)
NEFL100H	21" (53,5cm)	95 7/8" (243,5cm)

3.4 encastrement de l'appareil dans le mur

En raison de trops de matériels finis différentes utilisé sur les murs, il est extrêmement recommandé que vous consultez votre constructeur local avant que vous installez cet appareil dans le mur.

Choisissez un endroit non sujet à l'humidité et situé à au moins 36 pouces (91,4cm) des articles combustibles, tels que les rideaux, meubles, literie, papier, etc.

- A. Mesurez l'appareil et créez une esquisse pour le câblage électrique.
- B. Retirez le verre avant (voir la section « l'enlèvement de verre avant »).
- C. Tenez l'appareil en haut en face de l'ossature pour assurer qu'il rentre dans l'ossature.
- D. Si l'appareil est entièrement encastré dans le mur:
 - Pliez l'onglets plat (**Fig. 3, page suivante**).
 - Utilisez les 6 vis (fournies) pour verrouiller l'appareil dans le mur avec les 2 supports existants (**Fig. 1**).
 - Installer les composants décoratif et réinstaller le verre avant.
- E. Si l'appareil n'est pas entièrement encastré dans le mur:
 - Utiliser les 2 supports métalliques (fournies) pour verrouiller l'appareil au mur (**Fig. 2**).

note:

2 séries de trous sont prévus. La structure de la paroi peut limiter l'étendue de l'appareil peut être encastré. Utilisez l'ensemble approprié des trous pour l'encastrement aux cadre. Il peut être nécessaire d'utiliser les 4 trous en haut et en bas.

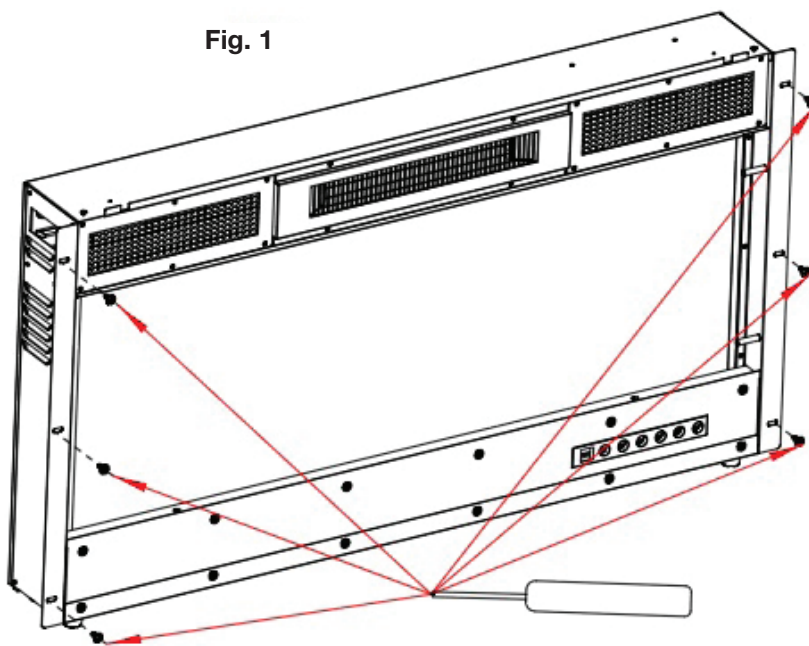


Fig. 1

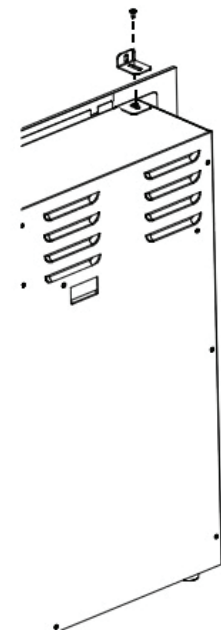


Fig. 2

note:

Il est recommandé que les murs de la clôture de l'appareil aient fini (c.-à-d. cloison sèche) pour éviter la possibilité d'isolation exposée ou la barrière de vapeur qui entre en contact avec le corps de l'appareil. Ceci garantira que le dégagement aux combustibles est maintenu.

note:

Les onglets de l'appareil sont pliés. Vous devez plier l'onglet plat quand vous encastré entièrement l'appareil dans le mur (**Fig. 4**).

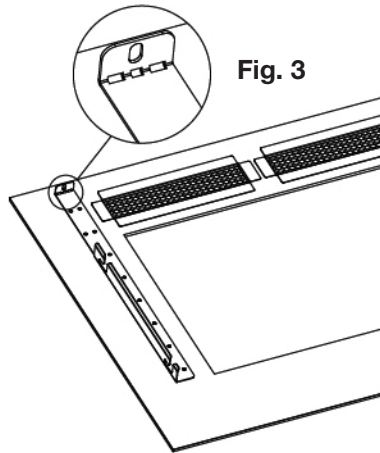


Fig. 3

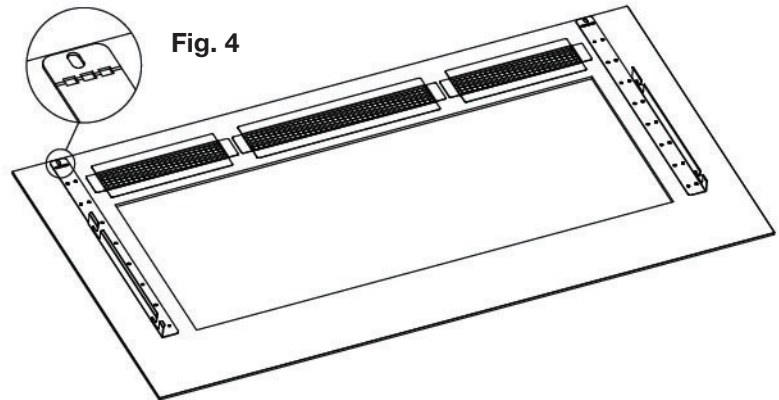
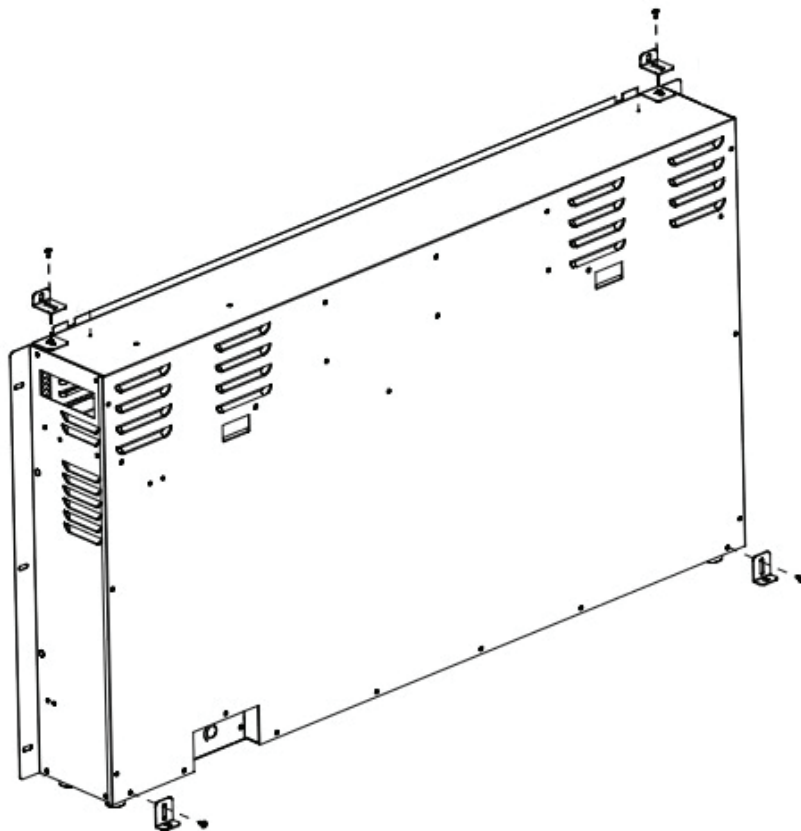


Fig. 4

3.4.1 l'installation de l'appareil dans une tablette

- A. Enlevez le verre avant (voir la section « l'enlèvement de verre avant »).
- B. Installez les pieds en caoutchouc sur le bas de l'appareil pour la stabilité (voir la section « l'installation des pieds en caoutchouc »).
- C. Installez les supports supérieure et inférieure (fournis).
- D. Insérez l'appareil dans la tablette et le fixer avec les supports (ou voir le manuel d'installation de la « tablette de la cheminée électrique » pour les instructions d'installation appropriées pour l'appareil).
- E. Placez les braises de cristal le long du plateau de médias (voir la section « l'installation de braise en cristal »).
- F. Réinstallez le verre avant.

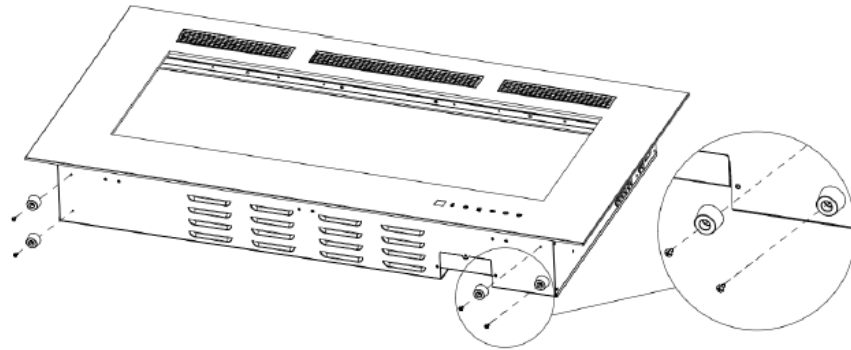


3.4.2 l'installation des pieds en caoutchouc

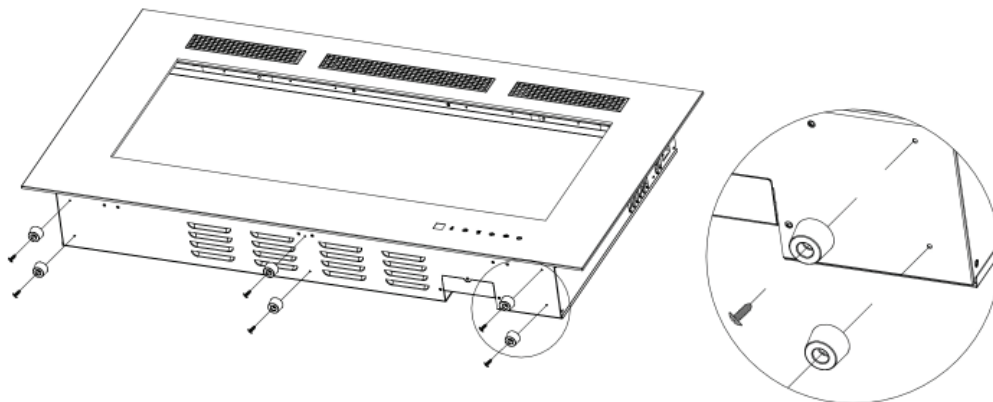
- A. Placez l'appareil face vers le bas sur une surface douce.
- B. À l'aide d'un tournevis, enlevez les vis sur le fond de l'appareil.
- C. Installez les 4 pieds en caoutchouc (6 pieds en caoutchouc pour NEFL60/72 /100FH) sur le fond de l'appareil à l'aide des vis de l'étape B. Voir les illustrations ci-dessous.

note:

Les vis pour le montage des pieds en caoutchouc sont fixées sur l'appareil. L'enlèvement des vis est nécessaire pour installer les pieds en caoutchouc.



NEFL32/42/50FH ILLUSTRÉE



NEFL60/72/100FH ILLUSTRÉE

installation

FR

3.5 branchement par câble

! AVERTISSEMENT

- Coupez l'alimentation électrique à l'appareil et laissez-le refroidir avant d'effectuer un entretien. Seul un technicien de service qualifié peut effectuer l'entretien ou la réparation de cet appareil électrique.

Si c'est nécessaire de faire un branchement par câble, un électricien qualifié peut retirer le cordon d'alimentation de l'appareil et brancher ce dernier directement au câblage de la maison. Le branchement du fil et de l'alimentation électrique doit être évalué à 120V minimum 15 ampères.

Si vous effectuez un branchement par câble, cet appareil doit être raccordé électriquement et mis à la terre conformément aux codes locaux. En l'absence de tels codes, utilisez la version courante du CODE CANADIEN DE L'ÉLECTRICITÉ CSA C22.1 au Canada ou du NATIONAL ELECTRICAL CODE ANSI/NFPA 70 aux États-Unis.

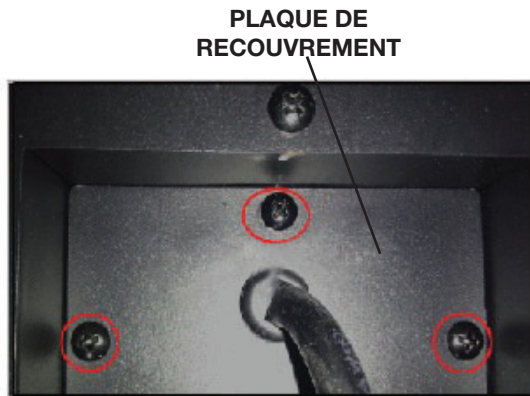


Fig. 1

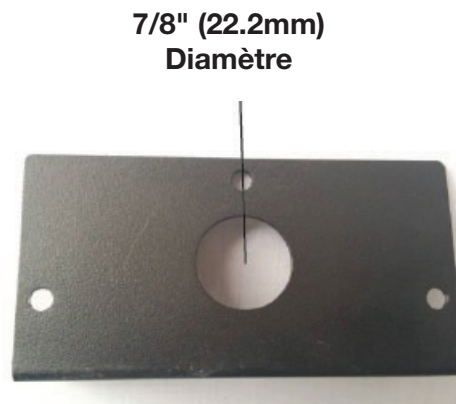


Fig. 2

- Retirez la plaque de recouvrement située sur le côté droit de l'appareil par retirez les 3 vis (**Fig. 1**).
- Enlevez les connecteurs de fils du cordon d'alimentation. Vous pouvez jeter le cordon d'alimentation.
- Enlevez le trou de 7/8" (22.2mm) dans la nouvelle plaque de recouvrement (fournie) (**Fig. 2**) et installez le connecteur à la boîte de jonction. Serrez le connecteur de boîte aux fils d'alimentation.
- À l'aide des connecteurs de fils, branchez le fil de terre vert (G) et les fils commun blanc (N), puis branchez les fils noirs chaudes (L) (**Fig. 3 et 4**).
- Réinstallez la plaque de recouvrement l'aide des 3 vis (**Fig. 1**).

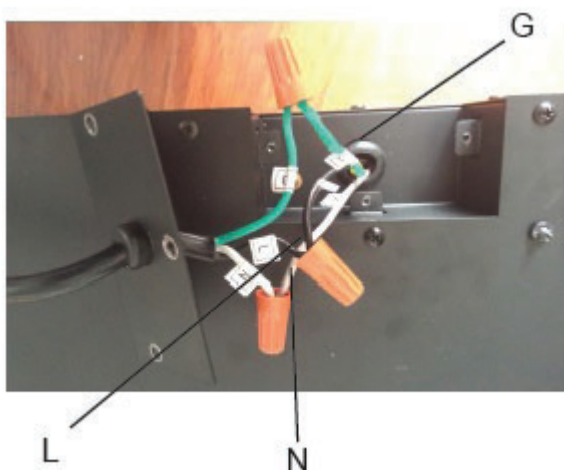


Fig. 3



Fig. 4

! AVERTISSEMENT

- Le raccordement par câble doit être complété avant la finition afin d'éviter toute reconstruction.
- Les entrées d'air et les sorties d'air de l'appareil ne doivent jamais être couvertes.

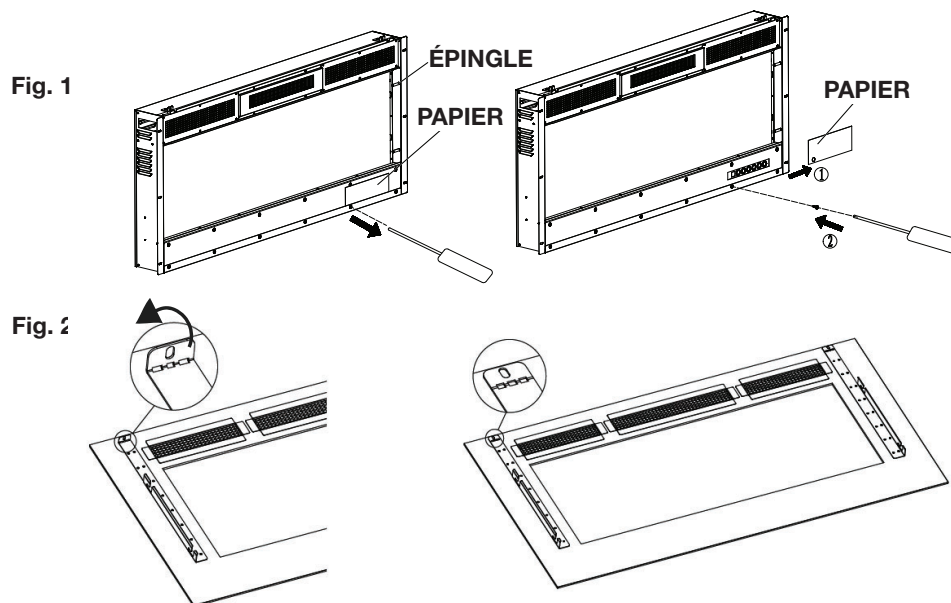
4.1 l'installation de verre avant

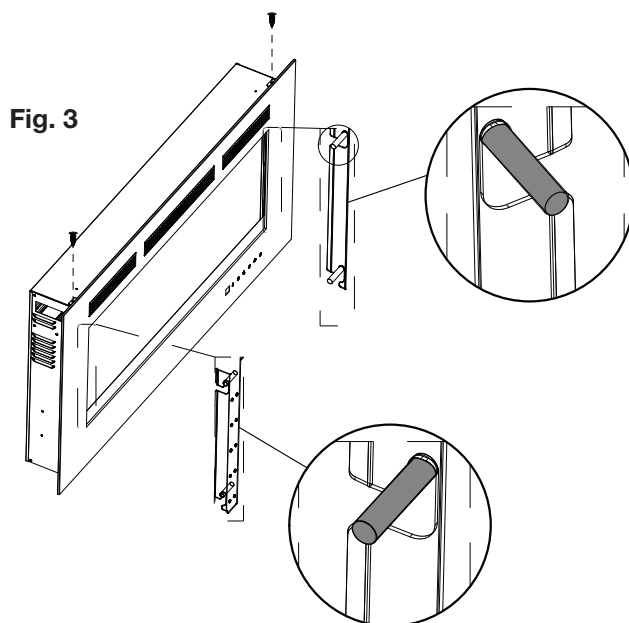
! AVERTISSEMENT

- La vitre peut être chaude. Ne touchez pas la vitre jusqu'à ce qu'elle ait refroidi.
- Si équipé avec les loquets de porte qui font partie d'un dispositif de sécurité, ils doivent être adéquatement verrouillés. Ne faites pas fonctionner l'appareil lorsque les loquets sont déverrouillés.
- Les matériaux de façade et de finition ne doivent pas nuire à la circulation de l'air dans les ouvertures d'air et les persiennes, ni au fonctionnement des persiennes ou des portes ni l'accès pour l'entretien. Respectez tous les dégagements aux matériaux combustibles
- Avant d'enlever la porte, éteignez l'appareil et attendez que ce dernier soit froid au toucher. Les portes sont lourdes et fragiles; manipulez avec soin.

POUR LES MODÈLES NEFL72/100FH SEULEMENT:

- Avant d'installer le verre avant, retirez les vis de fixation de la carte papier à l'intérieur de l'appareil qui protège le panneau de commande. Jetez la carte papier.
- Réinstallez les vis (pour les appareils installés en retrait seulement) (**Fig. 1**).
- Retirez les 2 vis du haut de l'appareil.
- À l'aide de 2 personnes, soulevez le verre haut et loin de l'appareil, tenant le verre vertical pas à plat pendant tout le transport. Placez la face du verre vers le bas sur une surface douce et non abrasive. Assurez-vous de ne pas fléchir le verre.
- Pliez les languettes supérieures à plat (**Fig. 2**).
- Installez les braises de cristal (voir la section « l'installation de braise en cristal »).
- Installez le verre avant en alignant avec les broches sur l'appareil. Appuyez sur le verre vers l'intérieur et en bas pour engager en toute sécurité avec les supports. Il doit être pleinement engagée pour assurer que le panneau d'affichage tactile exécute correctement.
- Maintiennent le verre avant à l'aide des vis fournies en haut de l'appareil (**Fig. 3, page suivant**). Si l'appareil est entièrement encastré, ceci n'est pas nécessaire.

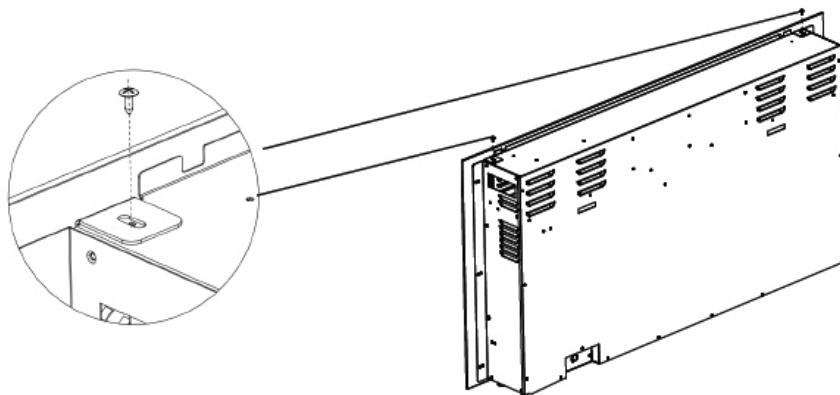




4.2 l'enlèvement de verre avant

POUR MONTAGE MURALE, RECESS PARTIELLE ET TABLETTE INSTALLÉ APPAREIL UNIQUEMENT

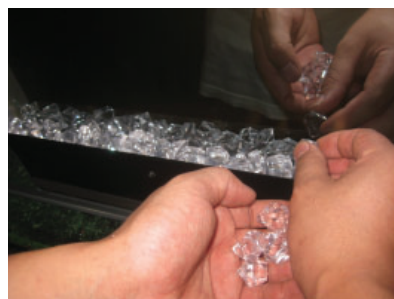
- A. Retirez les 2 vis du haut de l'appareil, comme illustré ci-dessous.
- B. À l'aide de 2 personnes, soulevez le verre haut et loin de l'appareil, tenant le verre vertical pas à plat pendant tout le transport. Placez la face du verre vers le bas sur une surface douce et non abrasive. Assurez-vous de ne pas fléchir le verre.
- C. Installez les braises de cristal (voir la section « l'installation de braise en cristal »). Installez le verre avant en alignant avec les broches sur l'appareil. Cela garantit que le panneau d'affichage tactile effectuera correctement.



4.3 l'installation de braise en cristal

Enlevez le verre avant de l'appareil puis montez l'appareil dans son emplacement final avant d'installer les braises en cristal.

- A. Soigneusement placez les braises de cristaux dans le fond du plateau à la face de l'appareil comme illustré.
- B. Placez une autre couche de braise de cristal également de côté à côté.



5.0 instructions de fonctionnement

FR

AVERTISSEMENT

- Alors que l'appareil fonctionne, ne pas enlever le panneau de verre. Cela parce que la télécommande et l'écran tactile de dysfonctionnement.

L'appareil est prêt à fonctionner dès qu'il est correctement branché dans une prise de courant mise à la terre.

note:

Assurez-vous que les disjoncteurs de la maison pour l'alimentation sont allumés. En case de panne de courant, l'appareil perdra sa fonction de mémoire et se réinitialisera en mode usine lorsque le courant reviendra.

5.1 bouton d'alimentation principal

Le bouton d'alimentation principal est situé sur le devant en bas à droite de l'appareil.









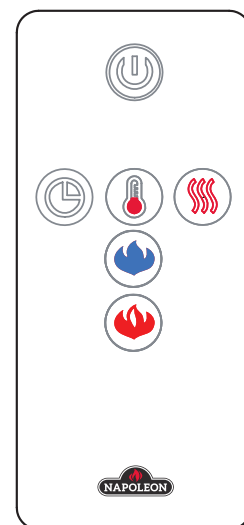
5.2 utilisation du panneau de contrôle et télécommande

AVERTISSEMENT

- Ne pas déplacer ou retirer le panneau de verre lorsque l'appareil est branché et fonctionne. Cela provoquera la télécommande et l'écran tactile de ne plus fonctionner.

Le panneau d'affichage tactile est indiqué par les DEL en bas à droite en face de l'appareil. Les DEL vont disparaître après 10 secondes s'il n'y a aucun changement de fonction. Le bouton d'alimentation principale sera affaibli.

ALIMENTATION		Met l'appareil ON/OFF.																																					
FLAMME - ORANGE		Contrôle la luminosité de la flamme orange. 6 Réglages: (F5-F4-F3-F2-F1-F0) Flamme assombrit de F5 à F1. F5 est le réglage le plus brillant et F0 est éteint.																																					
FLAMME - BLEU		Contrôle la luminosité de la flamme bleue. 6 Réglages: (F5-F4-F3-F2-F1-F0) Flamme assombrit de F5 à F1. F5 est le réglage le plus brillant et F0 est éteint.																																					
CHAUFFERETTE		Contrôle le chauffage. (H0) - Chauffage et soufflerie éteint. (BL) - Soufflerie seulement. (H1) - Chauffage souffle de l'air chaude (750W). (H2) - Chauffage souffle de l'air très chaude (1500W). NOTE: Les fonctions de chauffage cycle à partir de H0-BL-H1-H2. Appuyez le bouton de chauffage pendant 5s, le réglage pour le chauffage et celui de la température seront désactivés pour la télécommande et pour l'écran tactile. Appuyez sur le bouton pendant 5s encore, le chauffage se mettra en marche et toutes les fonctions seront déverrouillées.																																					
MINUTERIE		Contrôle de la minuterie. 9 Réglages: 0.5h, 1h, 2h, 3h, 4h, 5h, 6h, 7h, 8h. Appuyez sur le bouton jusqu'à atteindre réglage désiré.																																					
TEMPERATURE		<ol style="list-style-type: none"> Appuyez une fois : écran tactile indicateur devient actif. Appuyez à nouveau jusqu'à ce que le réglage souhaité soit atteint. <table border="1"> <thead> <tr> <th>Valeur D'affichage</th> <th>0</th> <th>1</th> <th>2</th> <th>3</th> <th>4</th> <th>5</th> <th>6</th> <th>7</th> <th>8</th> <th>9</th> <th>N</th> </tr> </thead> <tbody> <tr> <td rowspan="2">Température</td> <td>°C</td> <td>18</td> <td>19</td> <td>20</td> <td>21</td> <td>22</td> <td>23</td> <td>24</td> <td>25</td> <td>26</td> <td>27</td> <td>ON</td> </tr> <tr> <td>°F</td> <td>64</td> <td>66</td> <td>68</td> <td>70</td> <td>72</td> <td>74</td> <td>76</td> <td>78</td> <td>80</td> <td>82</td> <td>ON</td> </tr> </tbody> </table> <p>NOTE: Appuyez et maintenez enfoncé le bouton pendant 5 secondes. Cela va changer le bouton en Contrôle de Température, ou vice versa.</p>	Valeur D'affichage	0	1	2	3	4	5	6	7	8	9	N	Température	°C	18	19	20	21	22	23	24	25	26	27	ON	°F	64	66	68	70	72	74	76	78	80	82	ON
Valeur D'affichage	0	1	2	3	4	5	6	7	8	9	N																												
Température	°C	18	19	20	21	22	23	24	25	26	27	ON																											
	°F	64	66	68	70	72	74	76	78	80	82	ON																											



6.0 entretien

FR

! AVERTISSEMENT

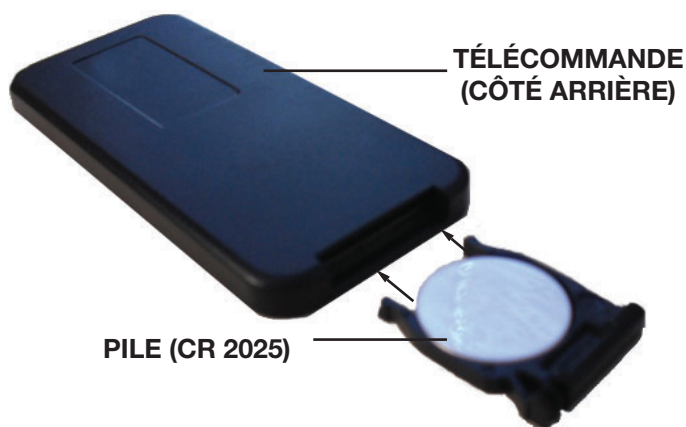
- En préparation pour l'entretien, débranchez toujours l'alimentation électrique et laissez l'appareil refroidir avant de le nettoyer, de procéder à son entretien ou de le relocaliser. Tournez les contrôles à « off » et retirez la fiche de la prise de courant ou fermez le disjoncteur du circuit de votre appareil.
- Ne pas installer d'ampoules de rechange qui excèdent la puissance (watts) maximale spécifiée.
- Les ampoules halogènes de votre appareil deviennent très chaudes lors de leur utilisation. Lorsque vous devez les remplacer, attendez au moins 10 minutes après avoir éteint votre appareil pour les enlever.
- Ne laissez pas les ampoules entrer en contact direct avec vos doigts. Le gras sur vos doigts endommagera les ampoules lorsqu'elles chaufferont. Utilisez des gants ou un linge propre et sec lorsque vous manipulez les ampoules.

6.1 l'installation des piles de la télécommande

note:

La télécommande a un onglet de plastique détachable pour prolonger la vie de la batterie en expédition, retirez l'onglet de la télécommande pour qu'elle fonctionne.

1. Pour remplacer la pile existante, retirez le support de pile.
2. Pour retirez le support de pile, tournez la télécommande vers l'arrière et appuyez sur le levier latéral gauche vers le centre tout en tirant le support de pile à l'aide de la fente fournie.
3. Remplacez la pile existante, tapez CR2025, avec une pile nouvelle et réinstallez le support de pile dans la télécommande en le glissant en position, comme illustré.



note:

La télécommande doit rester à 5 mètres ou 17 pieds de l'appareil pour être efficace. Cette gamme peut être réduite lorsque la batterie est épuisée.

⚠ AVERTISSEMENT

- Coupez l'alimentation électrique à l'appareil et laissez-le refroidir avant d'effectuer un entretien. Seul un technicien de service qualifié peut effectuer l'entretien ou la réparation de cet appareil électrique.

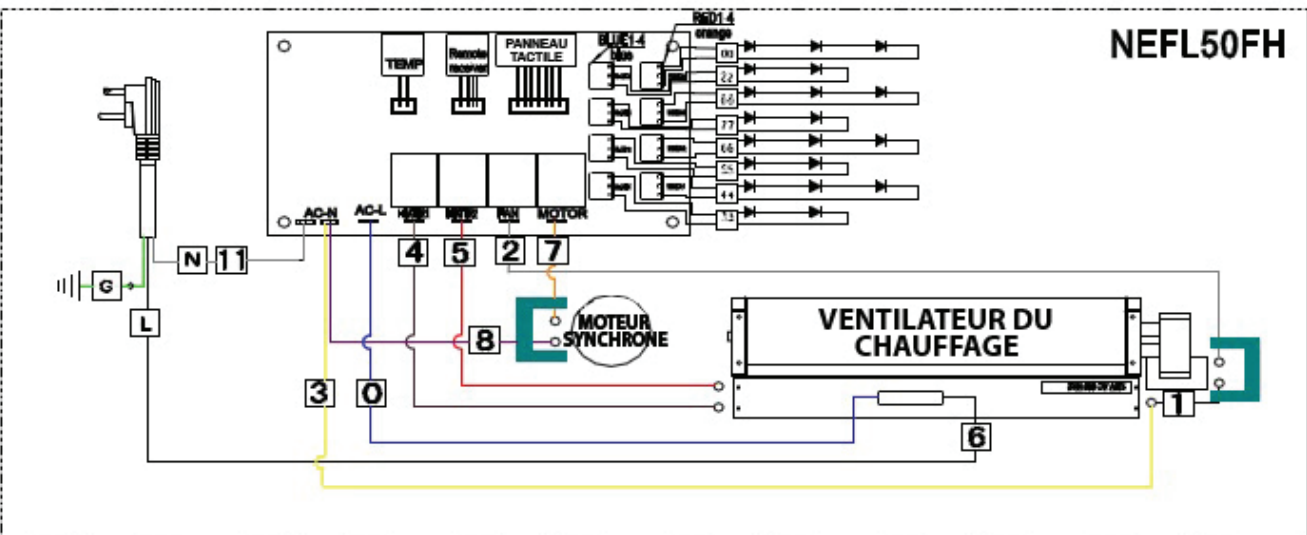
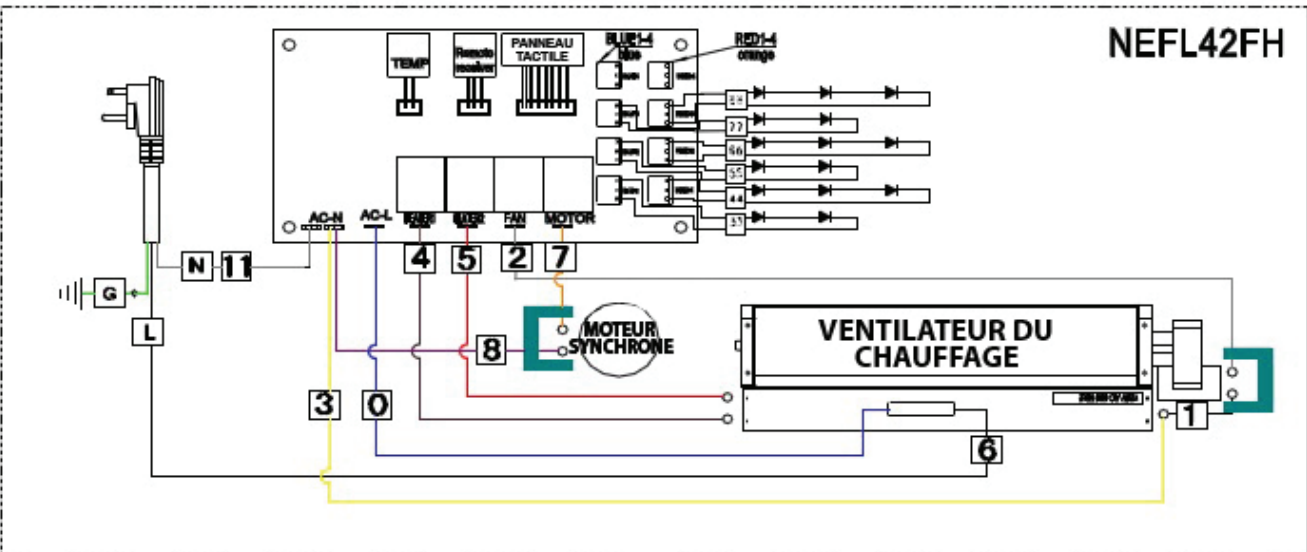
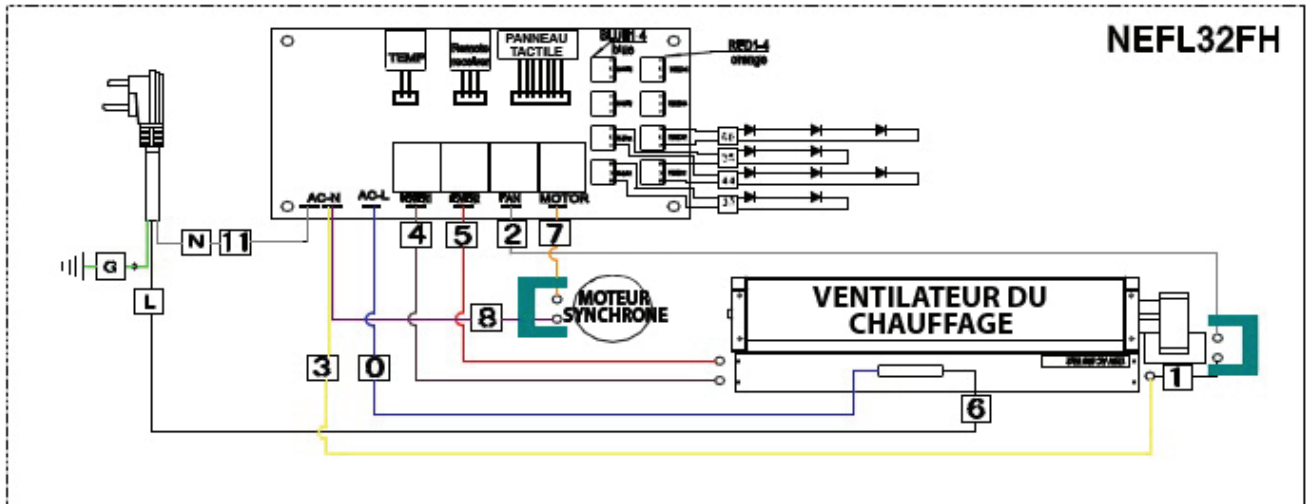
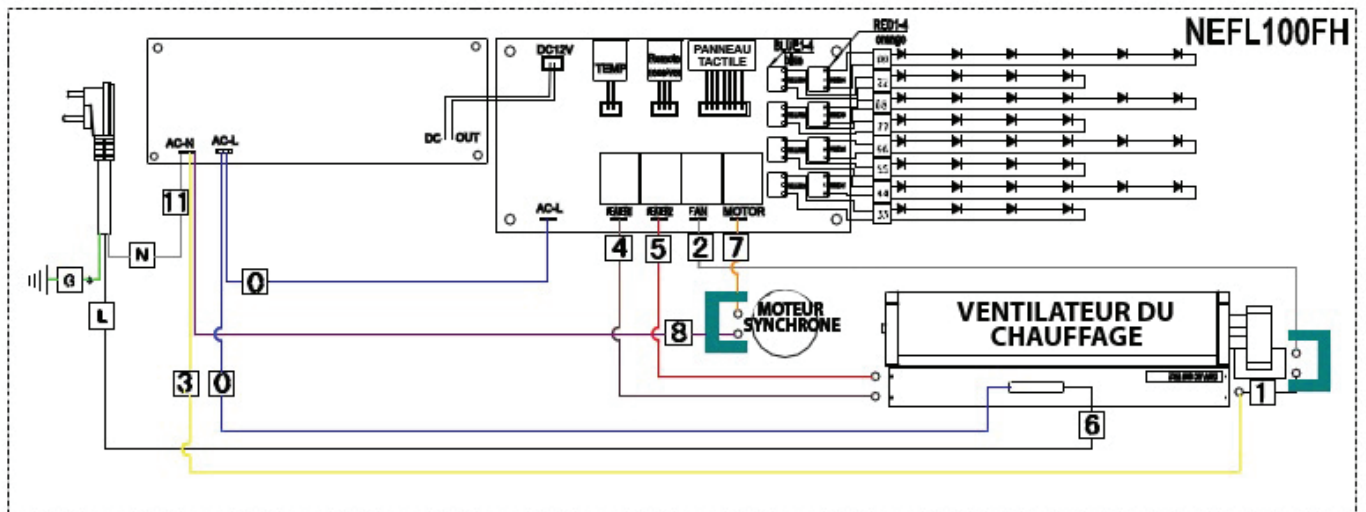
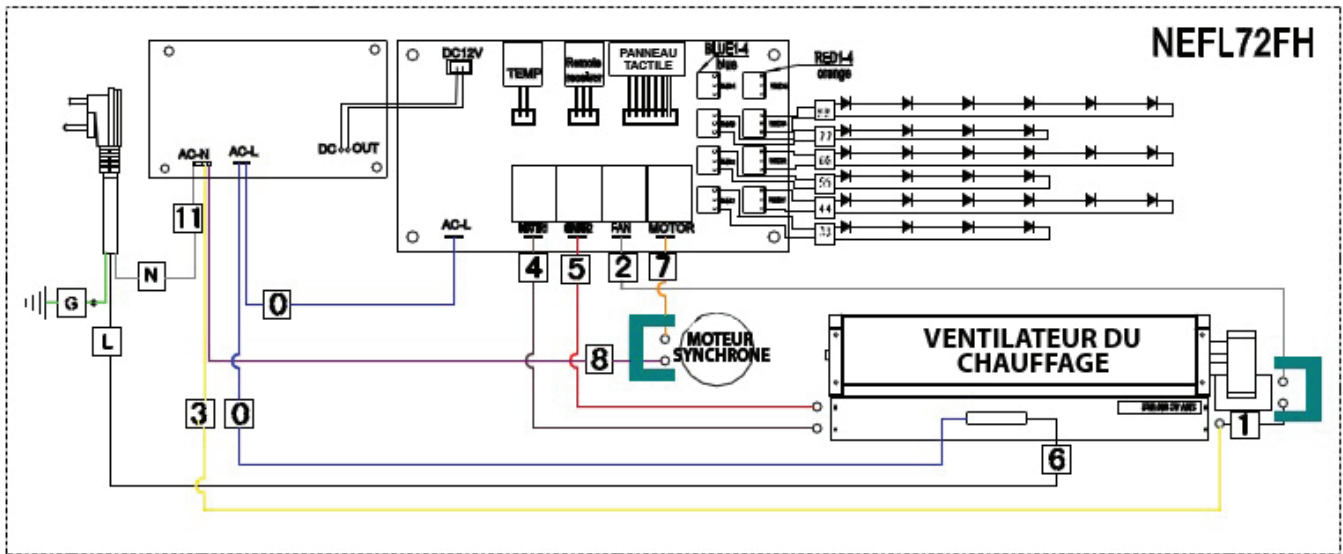
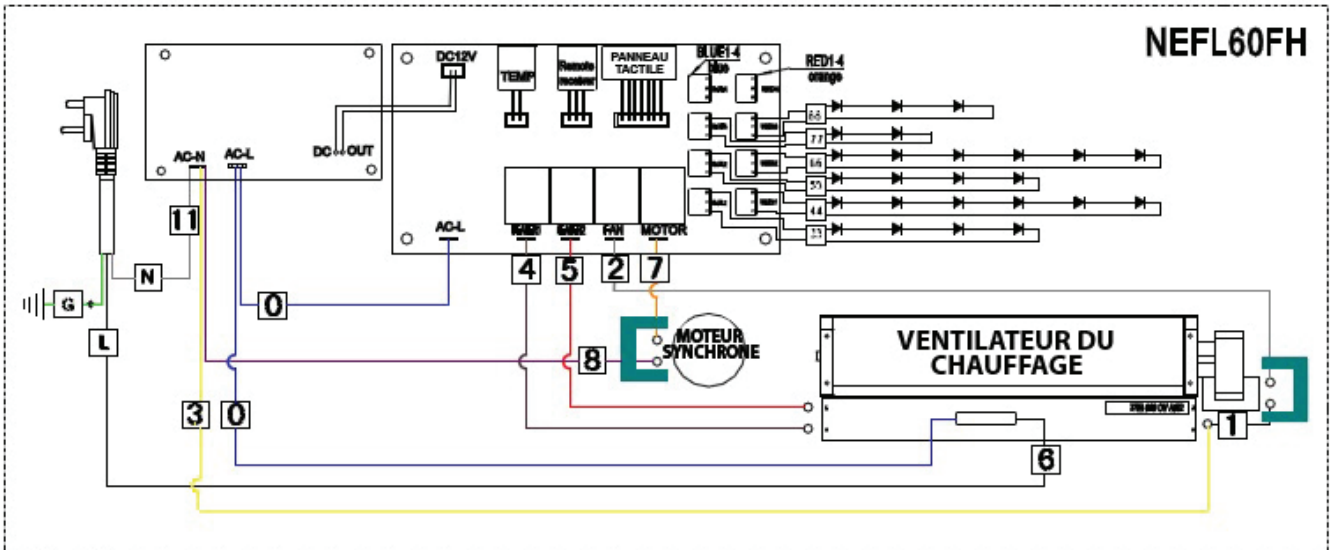


schéma de câblage

FR



AVERTISSEMENT

- Omettre de positionner les pièces conformément à ce manuel ou d'utiliser uniquement des pièces spécifiquement approuvées pour cet appareil peut causer des dommages matériels ou des blessures corporelles.

Contactez votre détaillant pour les questions concernant les prix et la disponibilité des pièces de remplacement. Normalement, toutes les pièces peuvent être commandées chez votre détaillant autorisé.

Pour un remplacement de pièce sous garantie, une photocopie de la facture originale sera requise afin de pouvoir honorer la demande.

Lorsque vous commandez des pièces, donnez toujours l'information suivante:

- Modèle et numéro de série de l'appareil
- Date d'installation de l'appareil
- Numéro de la pièce
- Description de la pièce
- Fini

Pièces, numéro des pièces et s'il soit disponible peut changer sans préavis.

Parties identifiées comme garnie seront livrés dans 2 à 5 jours pour la plupart des destinations de livraison.

Pièces non identifiées que stockés seront livrés dans un délai de 2 à 4 semaines pour la plupart des cas.

Pièces identifiées comme « SO » sont commande spéciale et peuvent prendre jusqu'à 90 jours pour la livraison.

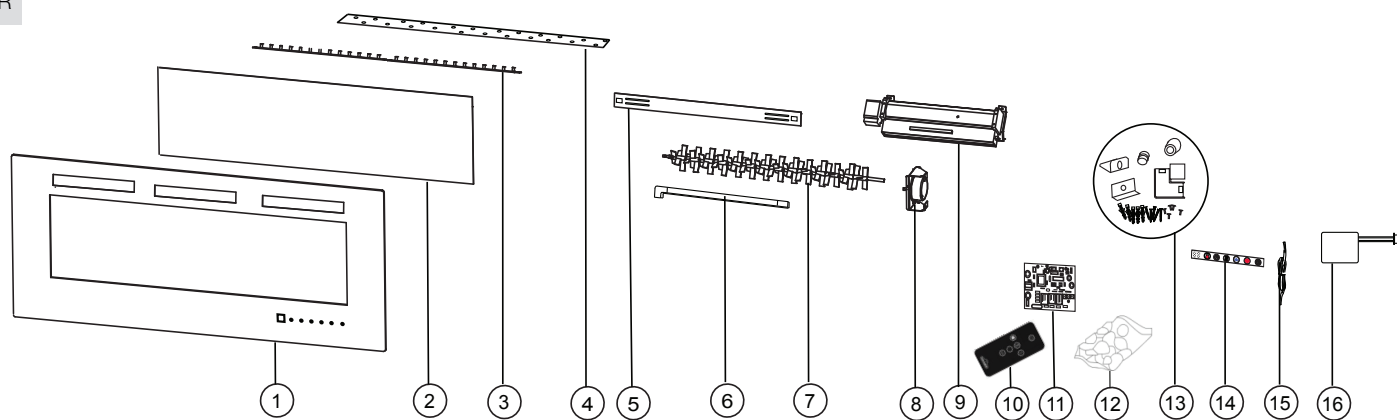
note:

Soyez prudent lorsque vous enlevez et jetez des débris de verre ou des composants endommagés. Assurez-vous d'aspirer tous les débris de verre à l'intérieur de l'appareil avant de le faire fonctionner.

Pour le service après-vente, téléphonez 1-866-820-8686 s'il vous plaît.

pièces de rechanges

FR



Ces articles peuvent différer de ceux illustrés.

Réf.	NEFL32FH	NEFL42FH	NEFL50FH	NEFL60FH	NEFL72FH	NEFL100FH	Description	En Stock
1	W300-0226	W300-0224	W300-0227	W300-0228	W300-0229	W300-0230	Façade vitrée	
2	W475-1192	W475-1185	W475-1193	W475-1194	W475-1195	W475-1196	Panneau en plastique acrylique	
3	W405-0033	W405-0033	W405-0033	W405-0033 + W405-0037	W405-0033 + W405-0037	W405-0033 + W405-0037	Lumière DEL	
4	W497-0014	W497-0013	W497-0015	W497-0016	W497-0017	W497-0018	Bande de plastique	
5	W080-1616	W080-1616	W080-1616	W080-1616	W080-1616	W080-1621	Support de mur	
6	W200-0571	W200-0572	W200-0572	W200-0572	W200-0572	W200-0572	Cache de cordon	
7	W527-0009	W527-0008	W527-0010	W527-0011	W527-0012	W527-0013	Réflecteur	
8	W435-0077	W435-0077	W435-0077	W435-0077	W435-0077	W435-0077	Moteur synchronus	
9	W010-3728	W010-3728	W010-3728	W010-3728	W010-3728	W010-3728	Assemblage de soufflerie et chaufferette	
10	W190-0095	W190-0095	W190-0095	W190-0095	W190-0095	W190-0095	Télécommande	
11	W190-0096	W190-0096	W190-0096	W190-0101	W190-0101	W190-0101	Bord de circuit	
12	W497-0019	W497-0020	W497-0021	W497-0022	W497-0023	W497-0024	Cristaux	
13	W370-0050	W370-0050	W370-0050	W370-0055	W370-0055	W370-0057	Pièces du matériel	
14	W475-1184	W475-1184	W475-1184	W475-1184	W475-1184	W475-1184	Panneau du contrôle (avec télécommande)	
15	W750-0370	W750-0371	W750-0372	W750-0373	W750-0374	W750-0375	Faisceau de câbles	
16	W690-0021	W690-0021	W690-0021	W690-0021	W690-0021	W690-0021	Thermostat	

AVERTISSEMENT

- Coupez l'alimentation électrique à l'appareil et laissez-le refroidir avant d'effectuer un entretien. Seulement un technicien de service qualifié peut effectuer l'entretien ou la réparation de cet appareil électrique.

symptôme	problème	solution
La luminosité du jeu de flammes est faible ou inexistante.	Éclat de flamme n'est pas sélectionné	Voir la section « opération ».
	Les DEL sont brûlées.	Vérifiez les DEL et remplacez-les au besoin.
	Carte de circuit imprimé est brûlé.	Vérifiez le carte de circuit imprimé et remplacez-le au besoin.
Le lit de braises s'illumine pas ou ne diminue pas en luminosité.	Luminosité n'est pas sélectionnée.	Voir la section « opération ».
	Les DEL de braises sont brûlées.	Vérifiez les DEL de braises et remplacez-les au besoin.
	Carte de circuit imprimé est brûlé.	Vérifiez le carte de circuit imprimé et remplacez-les au besoin.
L'appareil n'émet aucune chaleur.	Réglage du chauffage n'est pas sélectionné.	Voir la section « opération ».
	Le chauffage a été verrouillé.	Voir la section « opération ».
	La température ambiante est plus élevée que le réglage de l'appareil (si réglée au température de la chambre).	Réinitialiser la température de l'appareil.
	L'appareil a surchauffé et le dispositif de sécurité a entraîné le déclenchement de l'interrupteur thermique.	Débranchez l'appareil et le disjoncteur, laissez-le refroidir pendant 15 minutes, puis rebranchez-le, puis brancher ou allumer le disjoncteur.
	Le chauffage est brûlé.	Inspecter la soufflerie et le ventilateur et remplacez-les au besoin.
L'appareil s'éteint et ne se rallume pas.	Le disjoncteur de la maison s'est déclenché.	Réinitialisez le disjoncteur.
	Le fusible de l'appareil a éteint.	Remplacez le fusible.
	L'appareil a surchauffé et le dispositif de sécurité a entraîné le déclenchement de l'interrupteur thermique.	Débranchez l'appareil et le disjoncteur, laissez-le refroidir pendant 15 minutes, puis rebranchez-le, puis brancher ou allumer le disjoncteur.
L'appareil ne s'allume pas lorsque l'interrupteur est mis à « ON ».	L'appareil n'est pas branché dans une prise de courant.	Vérifiez la fiche puis rebranchez-la.
	Branchement par câble sont incorrectes (si applicable).	Voir la section « branchement par câble ».
	L'appareil a surchauffé et le dispositif de sécurité a entraîné le déclenchement de l'interrupteur thermique.	Débranchez l'appareil et le disjoncteur, laissez-le refroidir pendant 15 minutes, puis rebranchez-le, puis brancher ou allumer le disjoncteur.
	La carte de circuit imprimé est brûlé.	Inspectez la carte de circuit imprimé est remplacez-le au besoin.
La télécommande ne fonctionne pas.	Les piles sont faibles.	Remplacez les piles de la télécommande.
	Dysfonctionnement du récepteur à distance.	S'assurez que le récepteur à distance n'est pas bloqué. Replacer le panneau.

guide de dépannage

FR

La chauffage s'éteint automatiquement.	La température ambiante est trop élevée.	L'appareil est équipé d'un thermostat intégré et s'éteindra automatiquement lorsque la température programmée sera atteinte. Il s'allumera automatiquement lorsque la température de la pièce descendra en dessous de la température programmée.
Flamme ne bouge pas.	Moteur calé / ne fonctionne pas correctement.	Cycle de marche / arrêt. Si le problème persiste, consulter le concessionnaire.
Panne de courant.	L'appareil est revenue à les paramètres par défaut.	Re-programme l'appareil au paramètres d'origine. (Pas applicable avec tous les appareils)
La lumière DEL clignote.	L'appareil a surchauffé et le dispositif de sécurité a entraîné le déclenchement de l'interrupteur thermique.	Débranchez l'appareil et le disjoncteur, laissez-le refroidir pendant 15 minutes, puis rebranchez-le, puis branchez ou allumez le disjoncteur.

Les appareils électriques **Napoléon** sont fabriqués conformément aux normes strictes du Système de Gestion de la Qualité mondialement reconnu ISO 9001 : 2015.

Les produits **Napoléon** sont conçus avec des composants et des matériaux de qualité supérieure, assemblés par des artisans qualifiés qui sont fiers de leur travail. Une fois assemblé, chaque appareil est soigneusement inspecté par un technicien qualifié avant d'être emballé pour garantir que vous, le client, recevez le produit de qualité dont vous vous attendez de **Napoléon**.

Garantie Limitée Des Appareils Électriques Napoléon

Les composants électriques et les pièces soumises à l'usure sont couverts et **Napoléon** fournira gratuitement les pièces de rechange durant la première année de la garantie limitée. Ceci couvre: le ventilateur/l'appareil de chauffage, les moteurs, les interrupteurs, les roulements à billes en nylon, les télécommandes et les lumières de DEL.

Les ampoules et fusibles **ne sont pas** couverts par la garantie.

Les coûts de main-d'oeuvre relatifs aux réparations garanties ne sont pas couverts.

*La fabrication de chaque modèle varie. La garantie s'applique uniquement aux composants disponibles avec votre appareil.

Conditions et Limitations

Napoléon garantit ses produits contre les défauts de fabrication à l'acheteur d'origine seulement. L'enregistrement de la garantie n'est pas nécessaire. Fournissez simplement une preuve d'achat ainsi que le modèle et le numéro de série afin d'effectuer une réclamation de garantie. **Napoléon** se réserve le droit de demander à son représentant d'inspecter tous produits ou pièces avant d'honorer toute réclamation. L'achat doit avoir été fait par l'entremise d'un détaillant **Napoléon** autorisé et sous réserve des conditions et limitations suivantes:

La couverture de la garantie débute à partir de la date d'installation originale.

Cette garantie du fabricant n'est pas transférable et ne peut être prolongée par aucun de nos représentants.

L'installation doit être faite conformément aux instructions d'installation incluses avec le produit et à tous les codes d'incendie et de construction locaux et nationaux.

Cette garantie limitée ne couvre pas les dommages causés par un mauvais usage, un manque d'entretien, un accident, des altérations, des abus ou de la négligence, et l'installation de pièces d'autres fabricants annulera cette garantie.

Cette garantie limitée ne couvre pas non plus les égratignures, les bossellements, la corrosion ou la décoloration causée par une chaleur excessive, des produits d'entretien chimiques et abrasifs ou l'écaillage de pièces en porcelaine émaillée, le bris par manipulation des bûches Phazer™.

Au cours de la première année seulement, cette garantie s'étend à la réparation ou au remplacement des pièces garanties dont les matériaux ou la fabrication sont défectueux à la condition que le produit ait été utilisé conformément aux instructions de fonctionnement et dans des conditions normales.

Napoléon ne sera pas responsable de l'installation, de la main d'œuvre ou autres coûts ou dépenses relatives à la réinstallation d'une pièce garantie, et de telles dépenses ne sont pas couvertes par cette garantie. Nonobstant toutes les dispositions contenues dans cette garantie limitée, la responsabilité de **Napoléon** sous cette garantie est définie comme ci-dessus et elle ne s'étendra à aucun dommage accidentel, consécutif ou indirect.

Cette garantie définit l'obligation et la responsabilité de **Napoléon** en ce qui concerne l'appareil électrique **Napoléon**.

Toute autre garantie énoncée ou implicite en ce qui concerne ce produit, ses composants ou accessoires est exclue.

Napoléon n'endosse, ni n'autorise aucun tiers à assumer en son nom, toutes autres responsabilités concernant la vente de ce produit.

Tous dommages causés à l'appareil, aux garnitures en laiton ou autres composants par l'eau, les dommages causés par les intempéries, de longues périodes d'humidité, la condensation, des produits chimiques ou produits d'entretien nuisibles ne seront pas la responsabilité de **Napoléon**.

La facture ou sa copie sera requise ainsi que le numéro de série et le numéro de modèle lors d'une réclamation auprès de votre détaillant autorisé. La carte d'enregistrement de garantie doit être retournée dans les quatorze jours pour enregistrer la garantie.

Napoléon se réserve le droit de demander à son représentant d'inspecter tout produit ou pièce avant d'honorer toute réclamation.

Toutes les pièces remplacées en vertu de la politique de la garantie limitée ne peuvent faire l'objet que d'une seule réclamation.

Toutes les pièces remplacées au titre de la garantie seront couvertes pour une période de 90 jours à partir de leur date d'installation.

Le fabricant peut exiger que les pièces défectueuses ou les produits soient retournés ou que des photos numériques soient fournies pour valider la réclamation. Les produits retournés doivent être expédiés port payé au fabricant pour une inspection en usine. Si un produit est déclaré défectueux, le fabricant le réparera ou le remplacera.

Avant d'expédier votre appareil ou les pièces défectueuses, votre détaillant doit obtenir un numéro d'autorisation. Toute marchandise expédiée à notre usine sans autorisation sera refusée et retournée à l'expéditeur.

Les coûts d'expédition ne sont pas couverts par cette garantie.

Des frais de service supplémentaires peuvent être appliqués si vous cherchez à obtenir des services au titre de la garantie auprès d'un détaillant.

Toutes les spécifications et les conceptions sont sujettes à modifications sans préavis en raison des améliorations constantes apportées aux produits. **Napoléon** est une marque de commerce déposée de Wolf Steel Ltée.

NAPOLÉON CÉLÈBRE PLUS DE 40 ANS D'EXISTENCE CONSACRÉS À LA CONCEPTION DE PRODUITS DE CONFORT



7200, Route Transcanadienne, Montréal, Québec H4T 1A3
24 Napoleon Road, Barrie, Ontario, Canada L4M 0G8
214 Bayview Drive, Barrie, Ontario, Canada L4N 4Y8
103 Miller Drive, Crittenden, Kentucky, USA 41030

Téléphone: 1-866-820-8686
napoleon.com