

# SOJAG

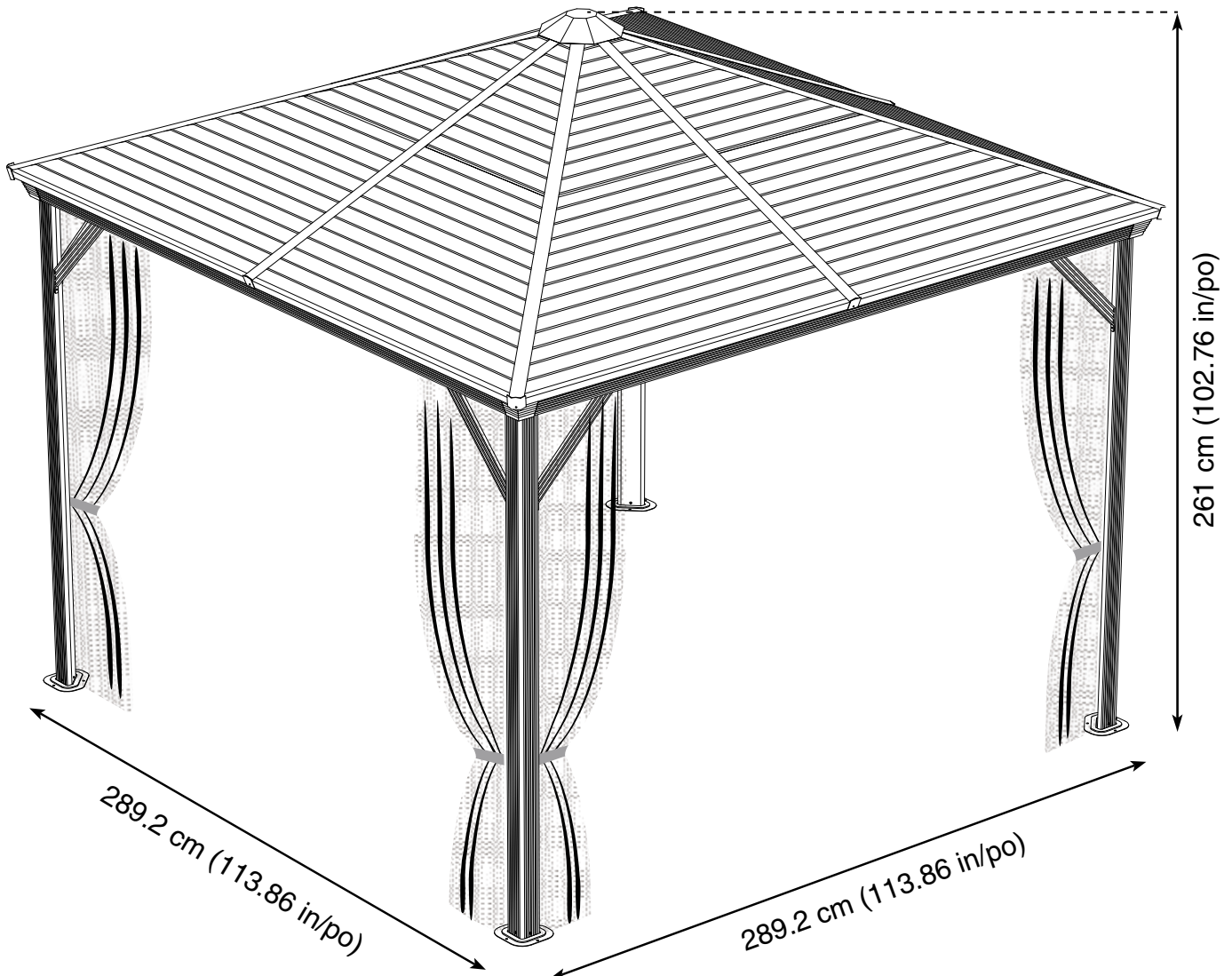
produits saisonniers • seasonal products

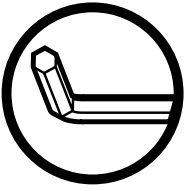
Sojag code: 500-9165319

CUP/UPC code: 772830165319

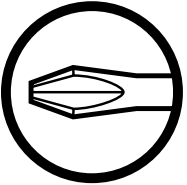
QUESTIONS? 1 855-659-4402

## Assembly Manual / Guide d'assemblage / Manual de ensamblaje / 조립설명서 / Montageanleitung





Use the hex keys in the box. / Utilisez les clés hexagonales fournies dans la boîte. / Utilice las llaves hexagonales en la caja. / 상자에 육각 키를 사용 하십시오. / Verwenden Sie die Sechskantschlüssel in der Box.



Please use a Phillips screwdriver. / Utilisez un tournevis de type Phillips / Por favor, use un destornillador Phillips. / 십자 드라이버를 사용 하십시오. / Bitte verwenden Sie einen Kreuzschraubenzieher.



You may need to use a drill for this step. / Vous pouvez avoir besoin d'utiliser une perceuse pour cette étape. / Puede que tenga que utilizar un taladro para este paso. / 이 단계에선 드릴을 사용해야 할 수도 있습니다. / Für diesen Schritt können Sie einen Bohrer verwenden.



Wearing protective gloves is recommended. / Le port de gants de protection est recommandé / El uso de guantes de protección se recomienda. / 보호 장갑을 착용 하는 것이 좋습니다. / Das Tragen von Schutzhandschuhen wird empfohlen.



Two or more people are required at this stage. / Deux personnes ou plus sont nécessaires à cette étape. / Dos o más personas se requieren en esta etapa. / 이 단계에서는 두 명 이상 이 필요합니다. / Für diesen Bauschritt sind 2 oder mehr Personen erforderlich.

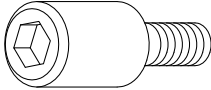


Do not tighten screws all the way for now. / Ne pas visser fermement pour l'instant. / No atornille con firmeza por ahora. / 아직 나사를 단단히 조이지 마십시오. / Bitte die Schrauben zum jetzigen Zeitpunkt noch nicht fest anziehen.

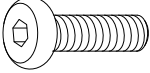


Sold separately. / Vendus séparément. / vendido en las opciones. / 옵션 판매 / Optional erhältlich

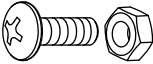
**T** X 8 (+2)



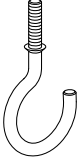
**U** X 16 (+2)



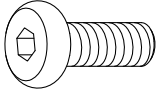
**U1** X 32 (+6)



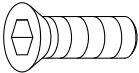
**U2** X 1(+1)



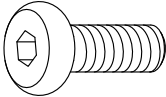
**V** X 60 (+5)



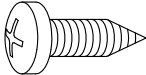
**V1** X 16 (+2)



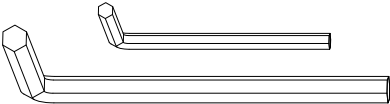
**V2** X 16 (+2)



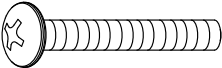
**W** X 24 (+3)



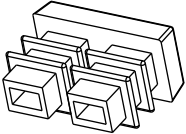
**Y** X 1

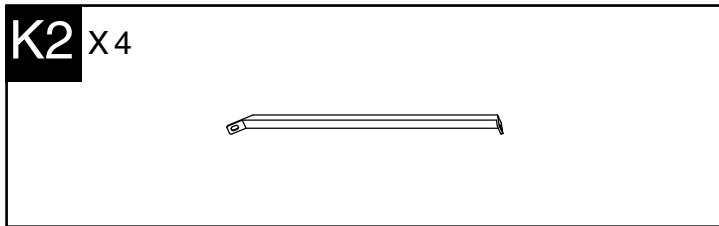
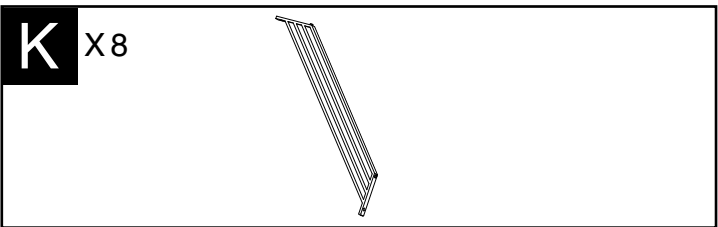
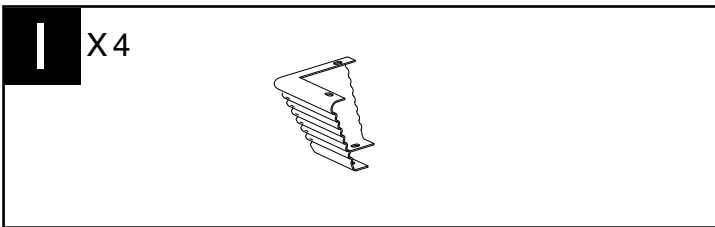
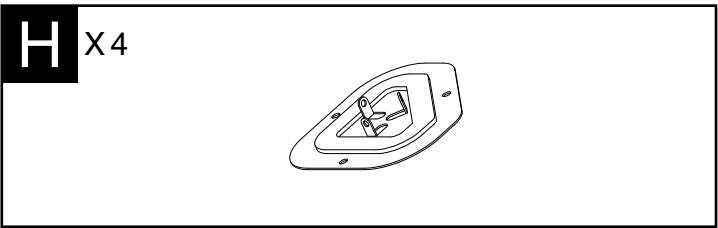
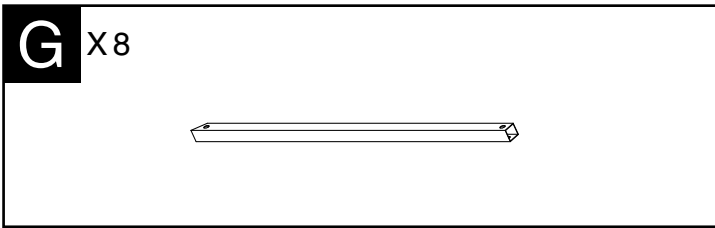
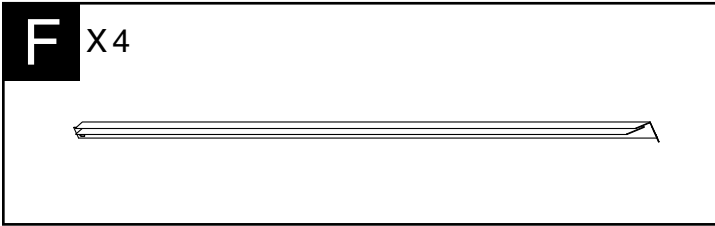
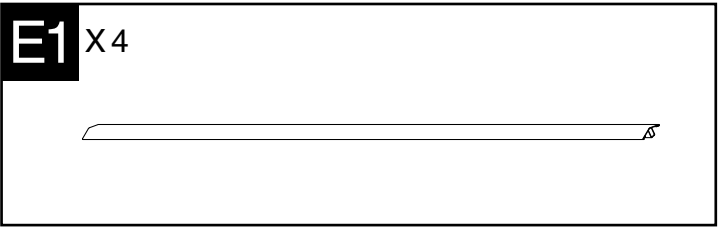
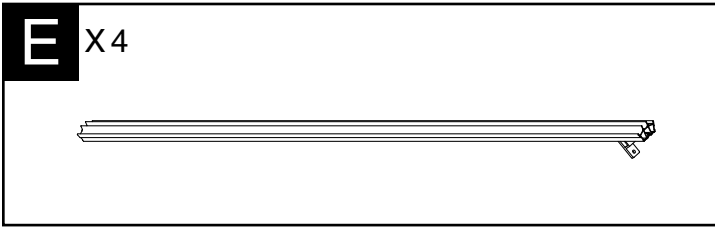
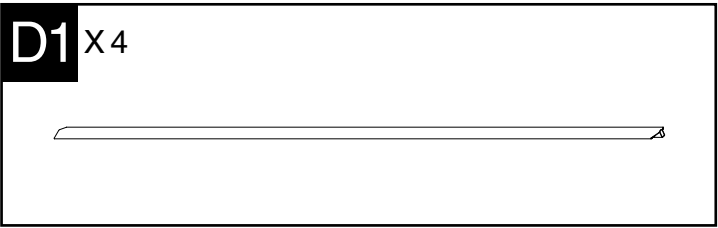
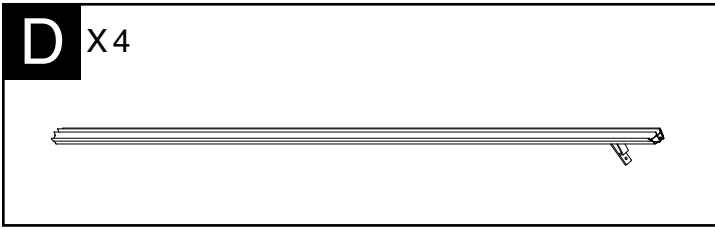
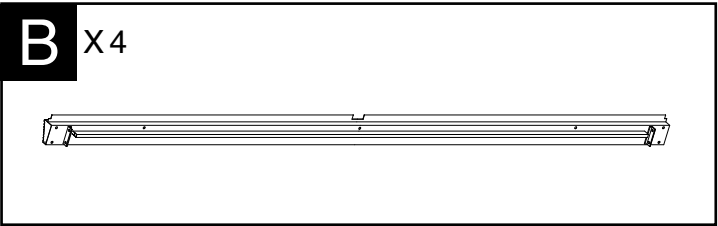


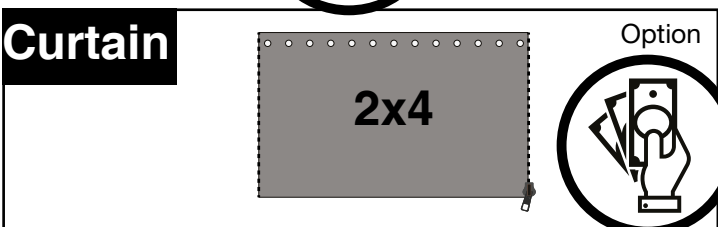
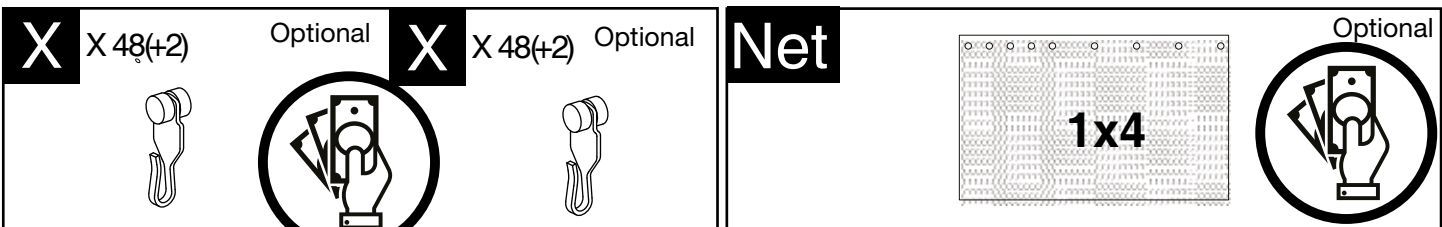
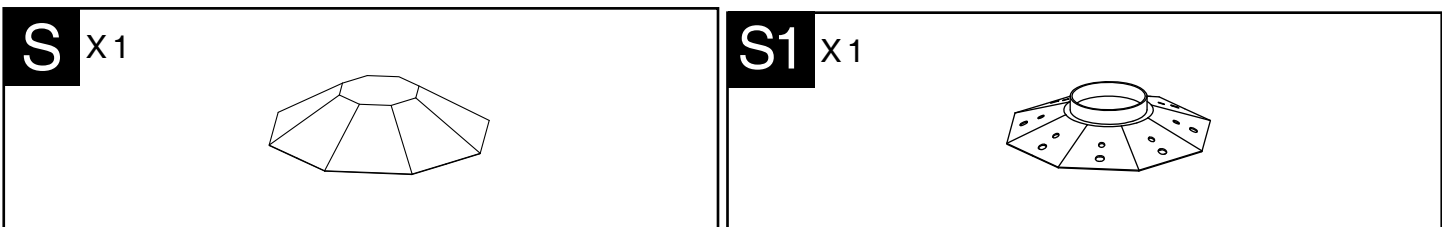
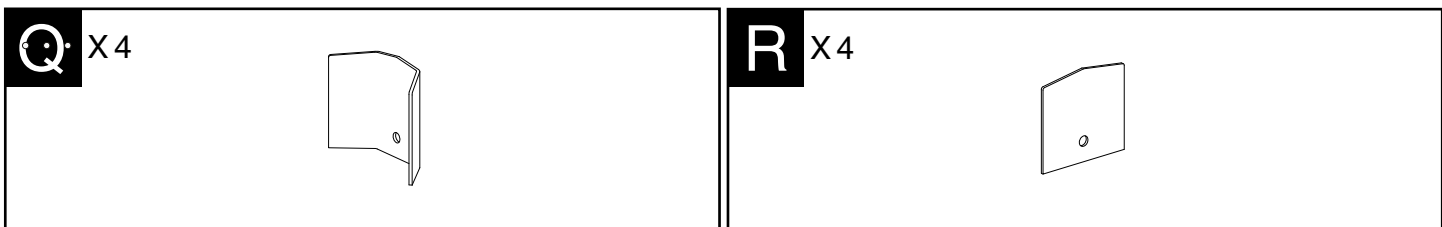
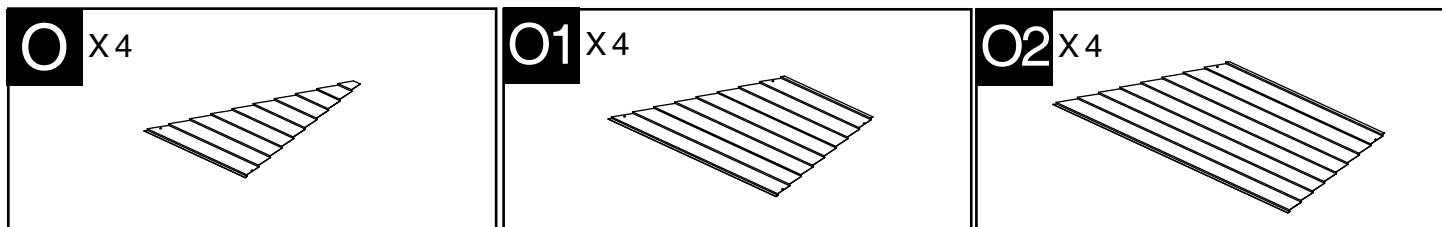
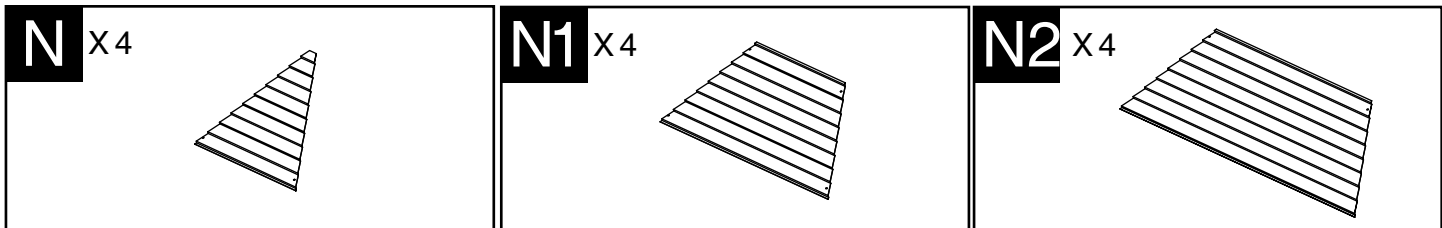
**Y1** X 36 (+4)

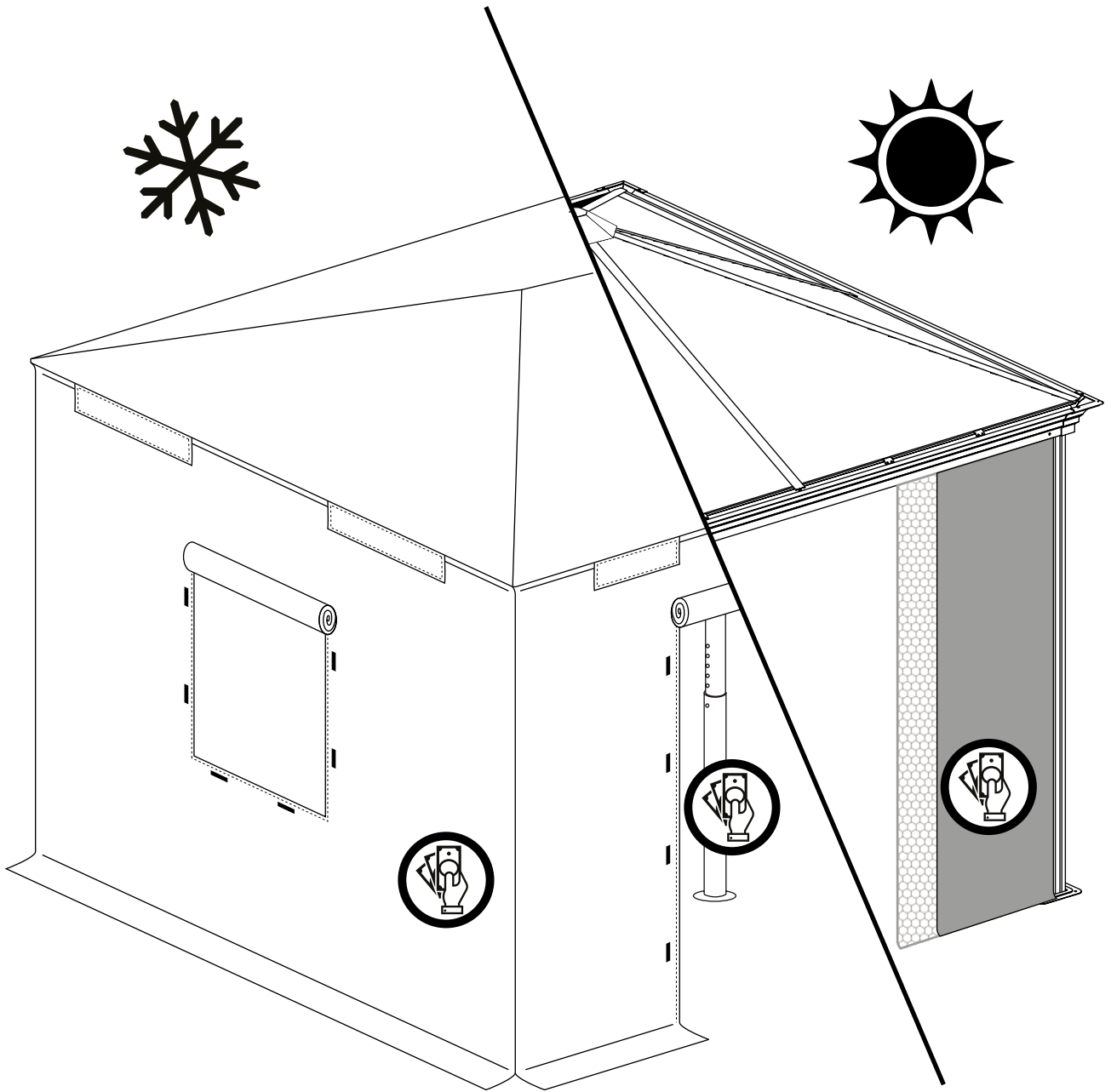
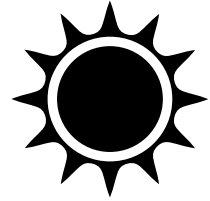
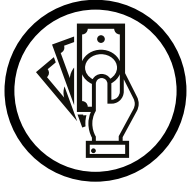


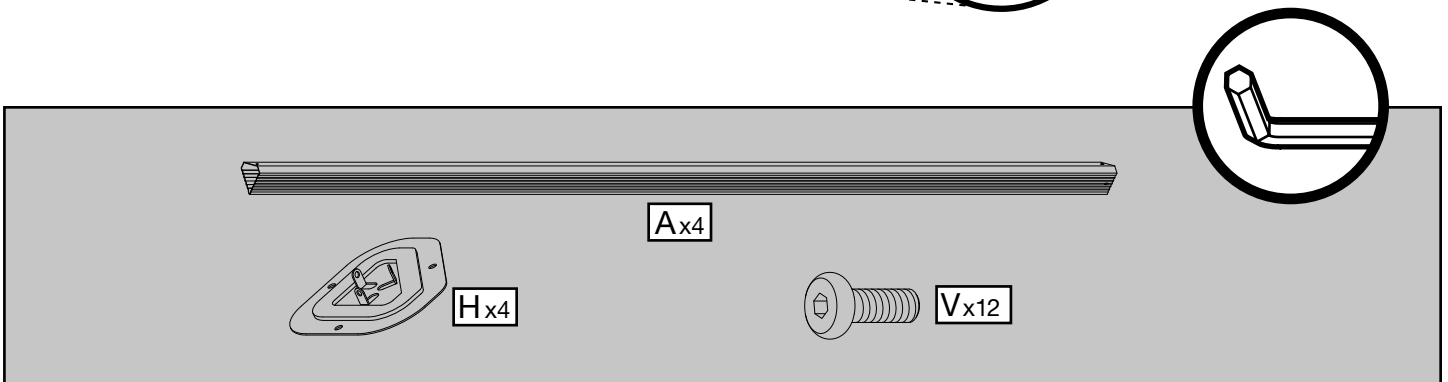
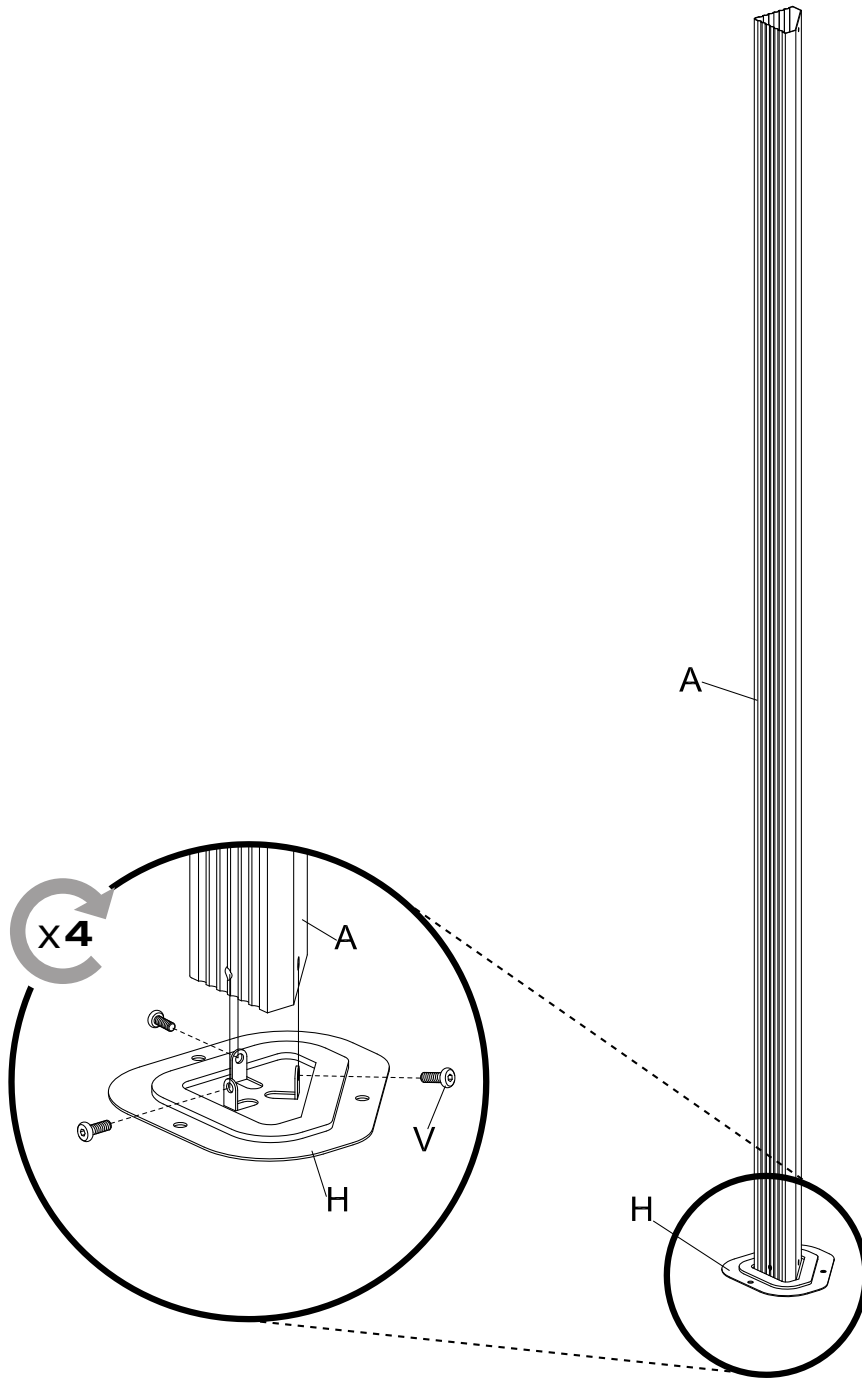
**Z2** X4 (+1)

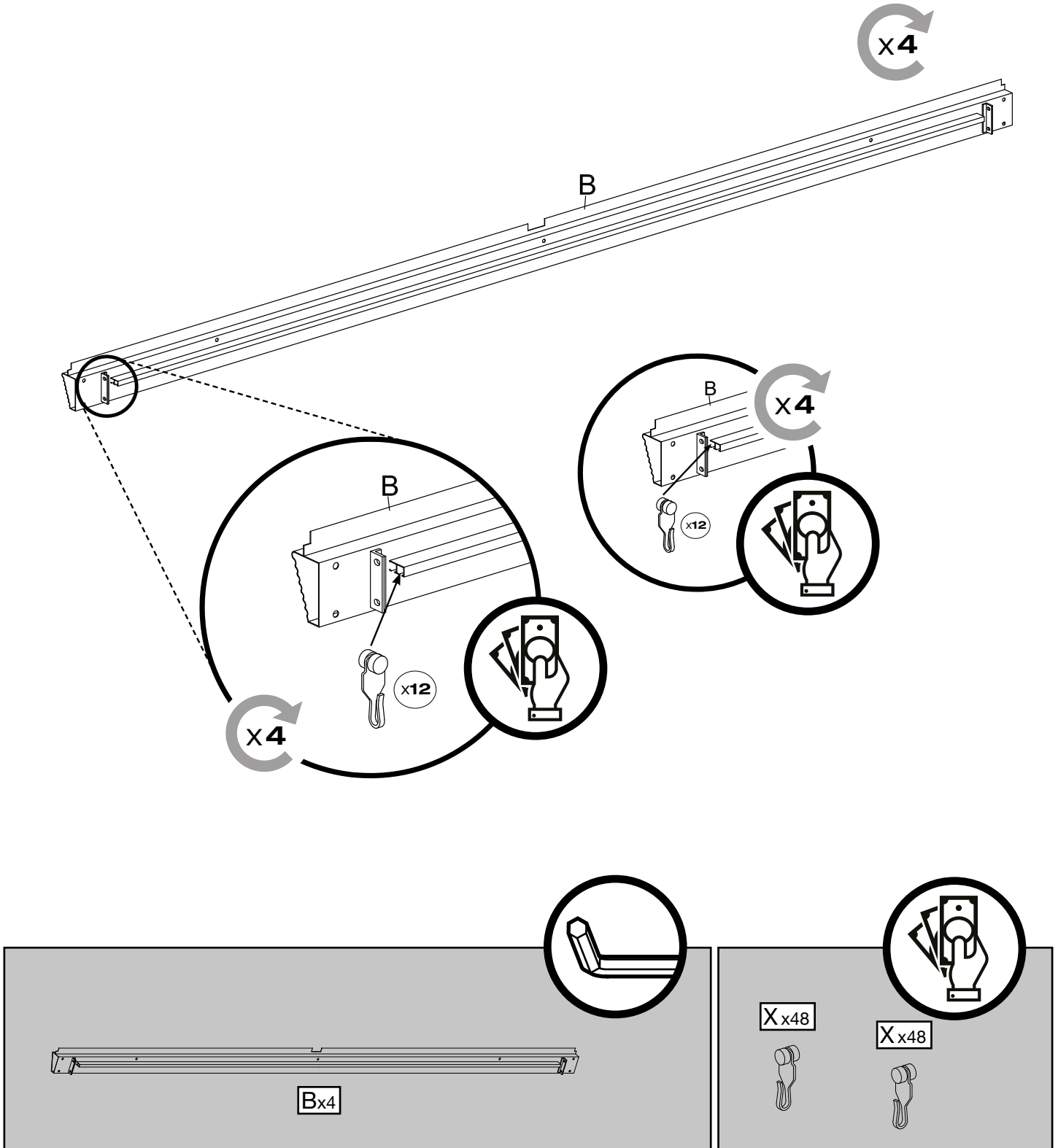




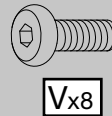
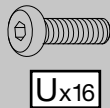
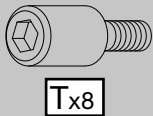
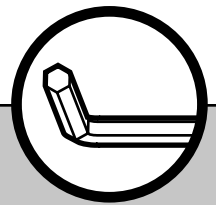
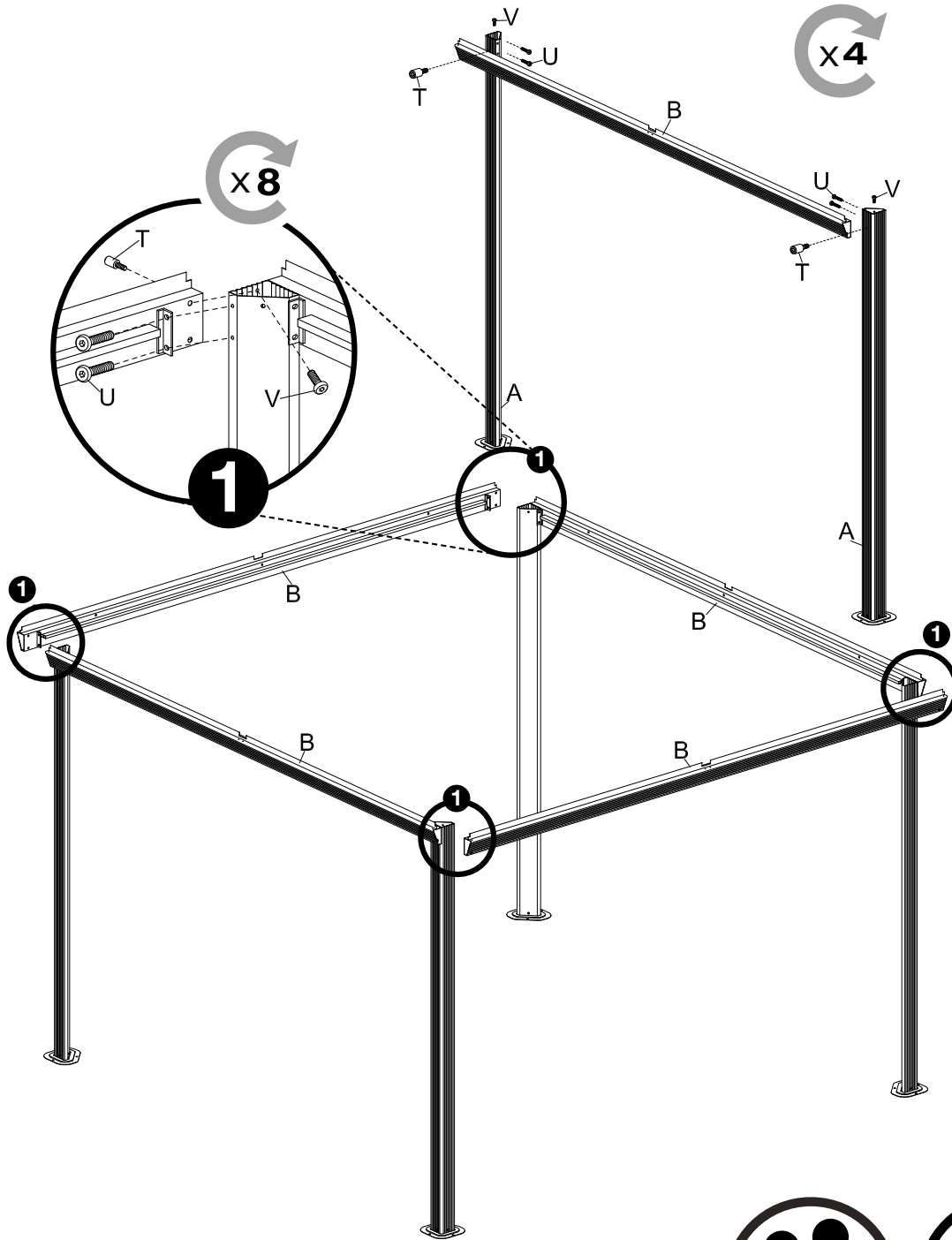


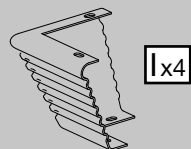
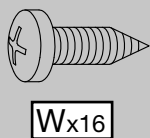
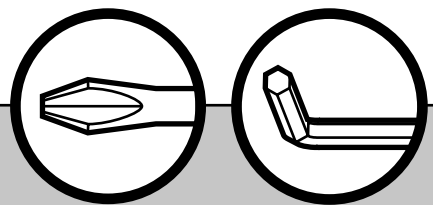
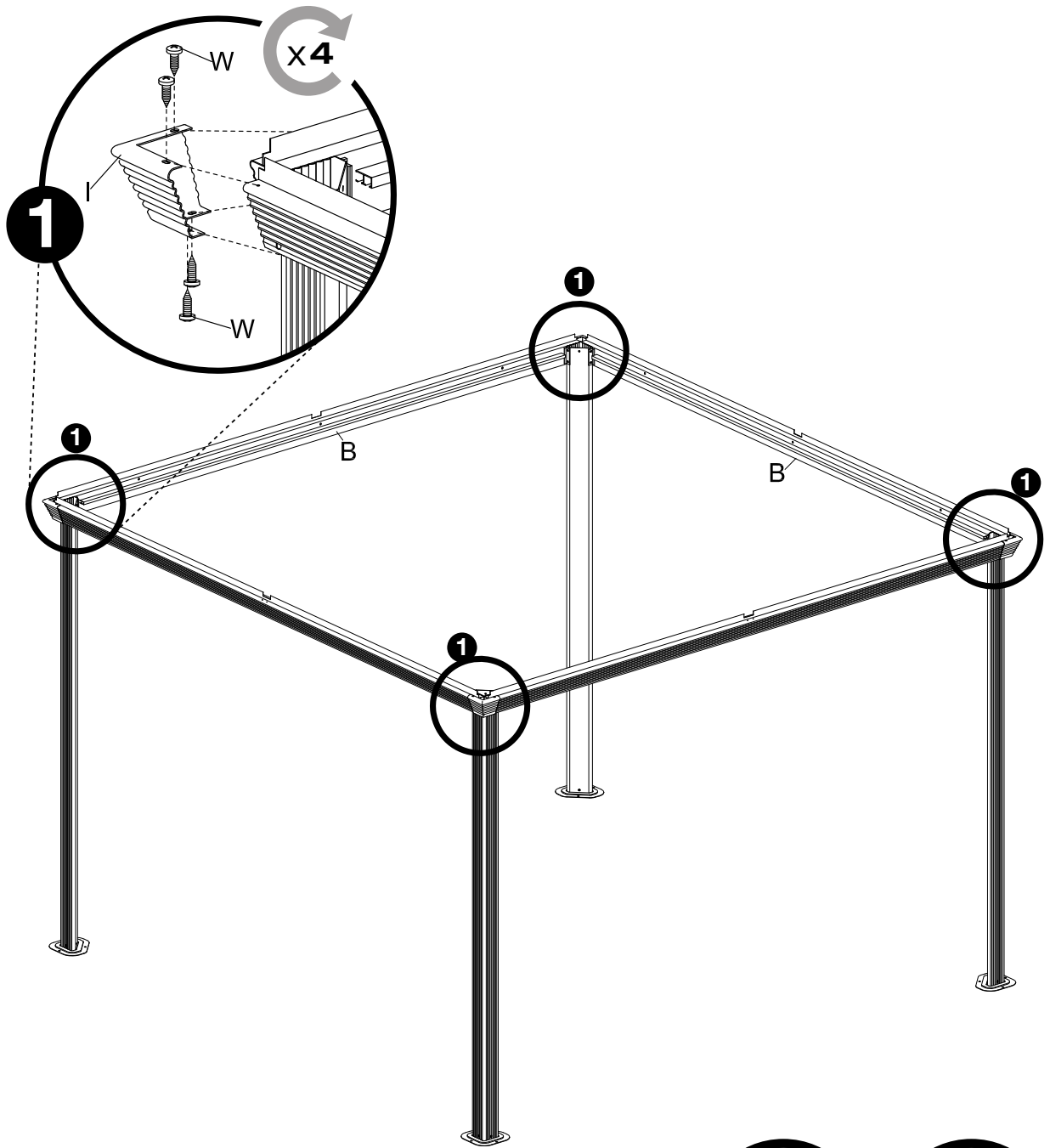


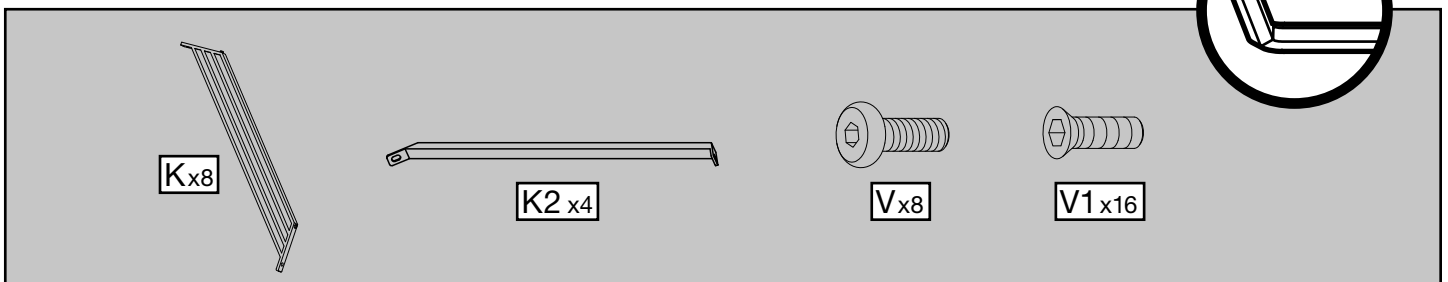
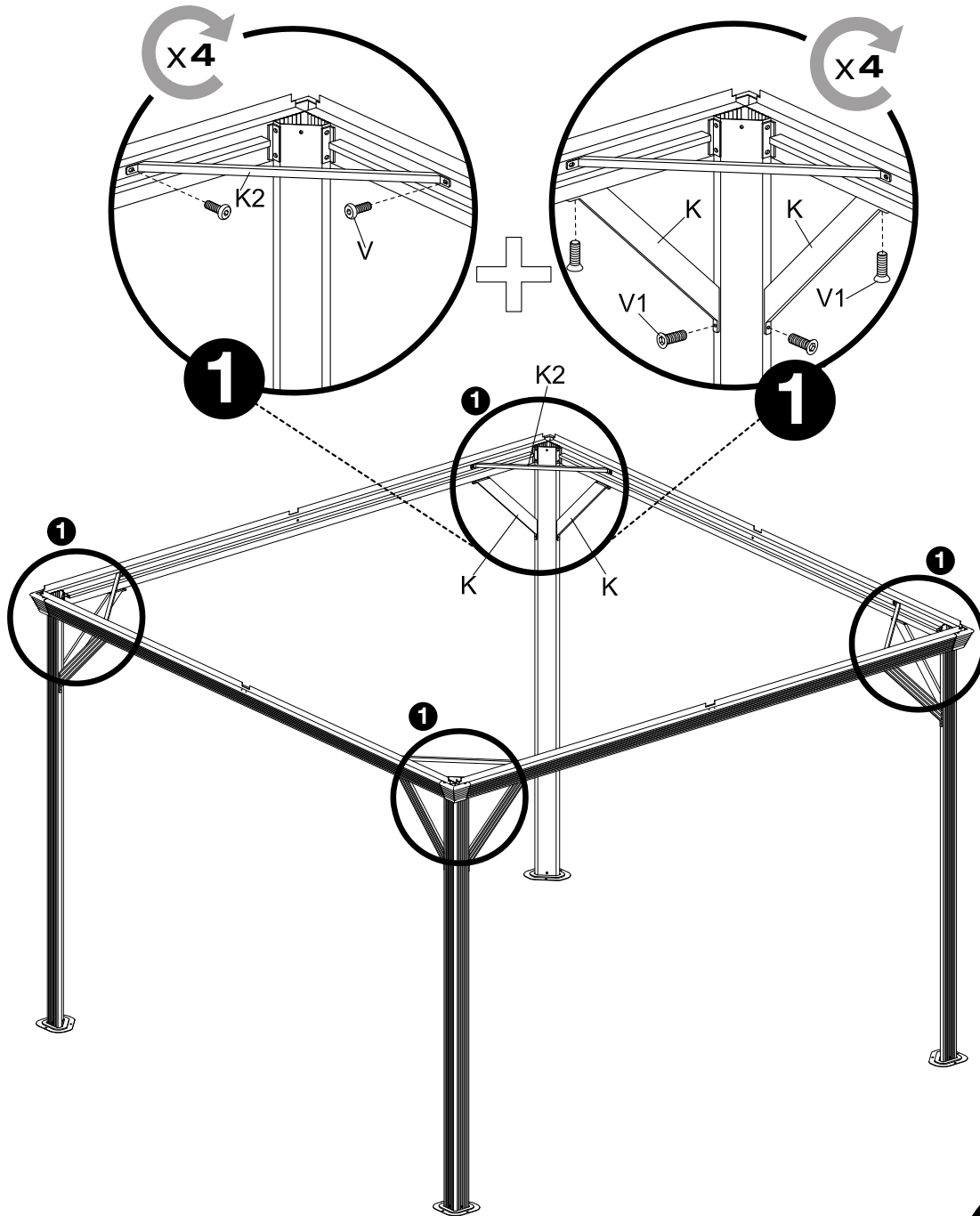


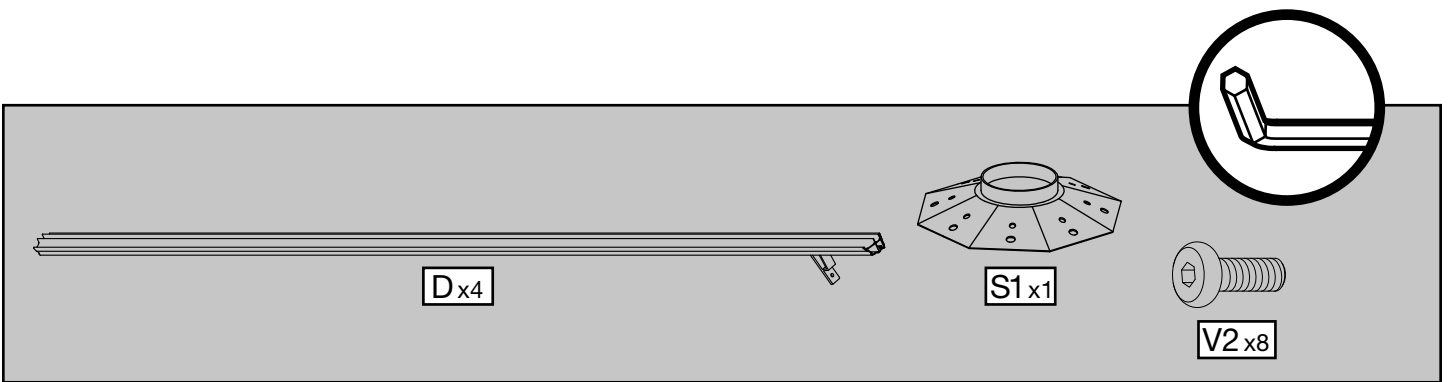
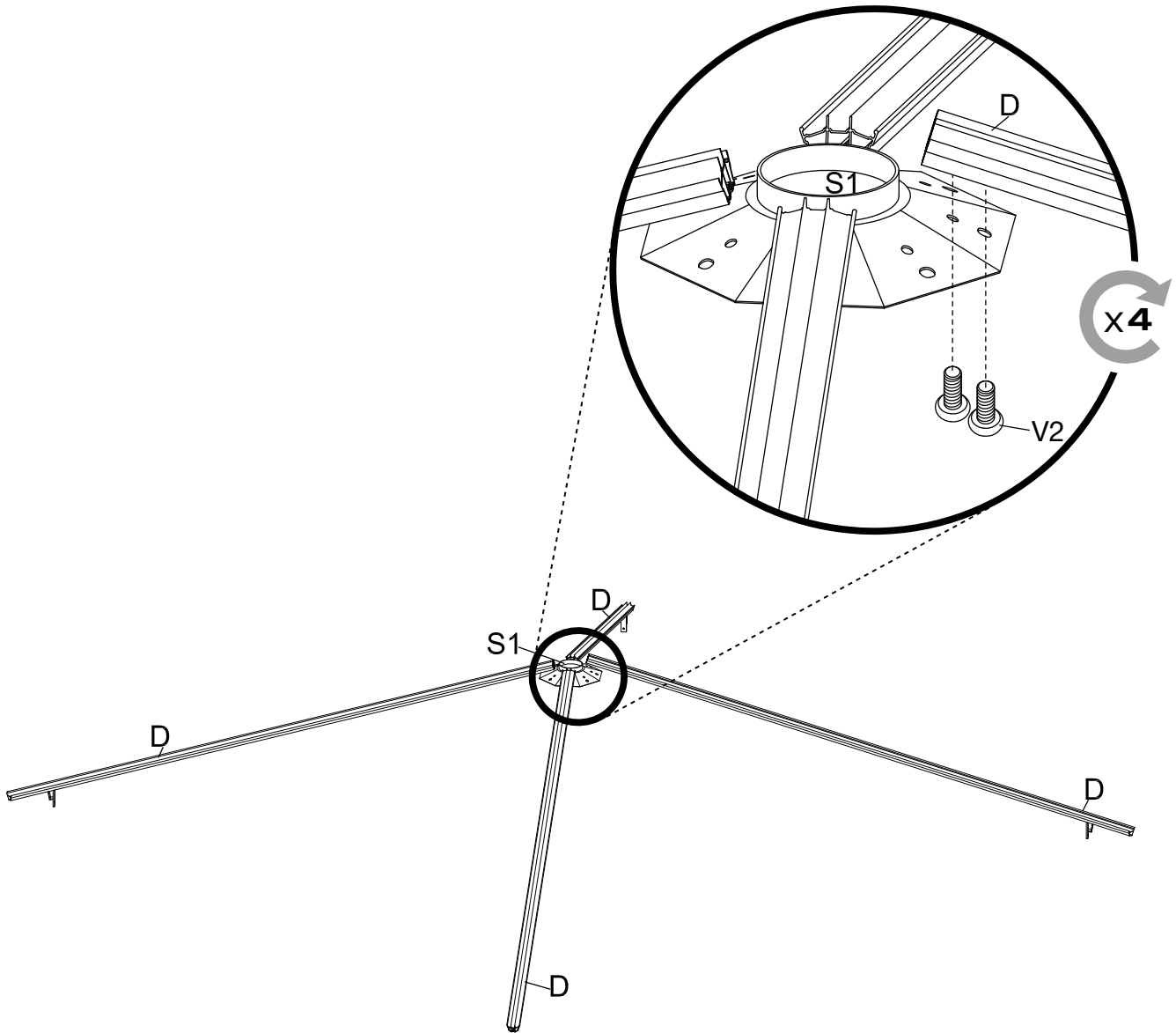


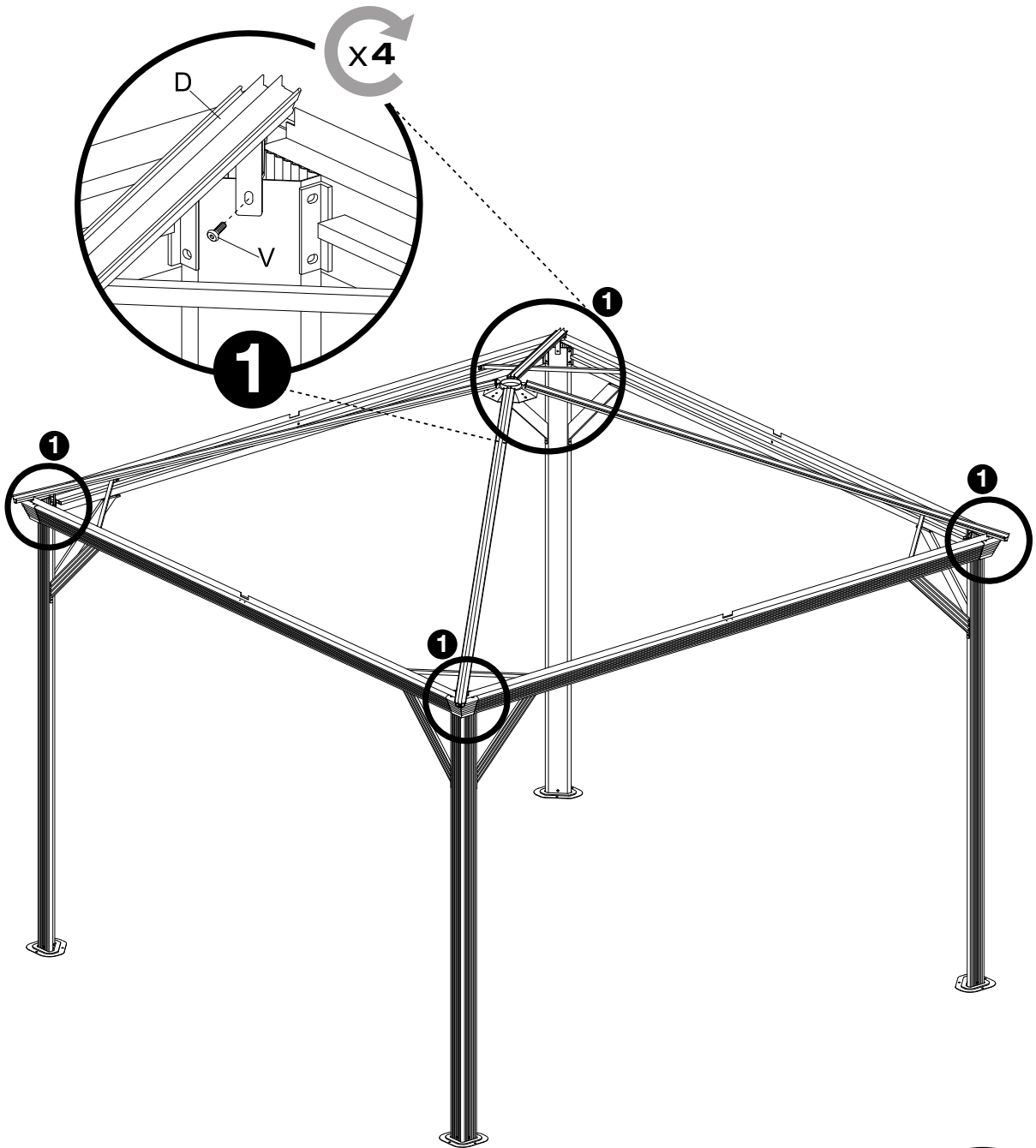




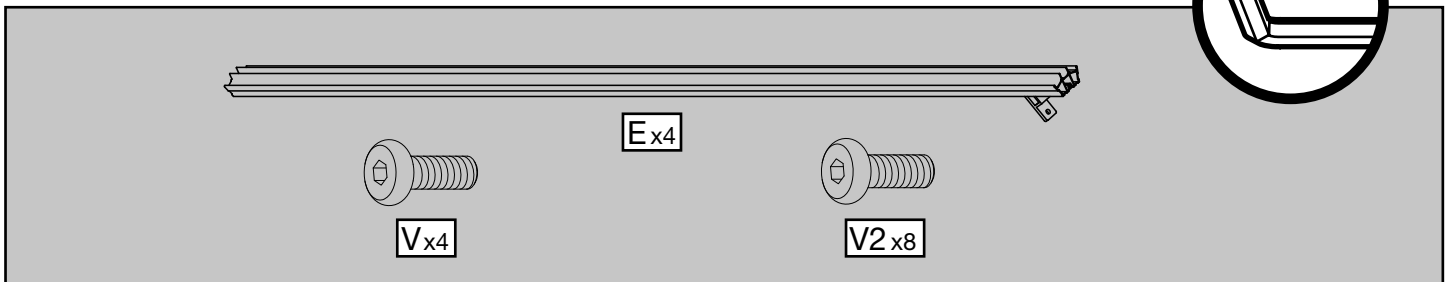
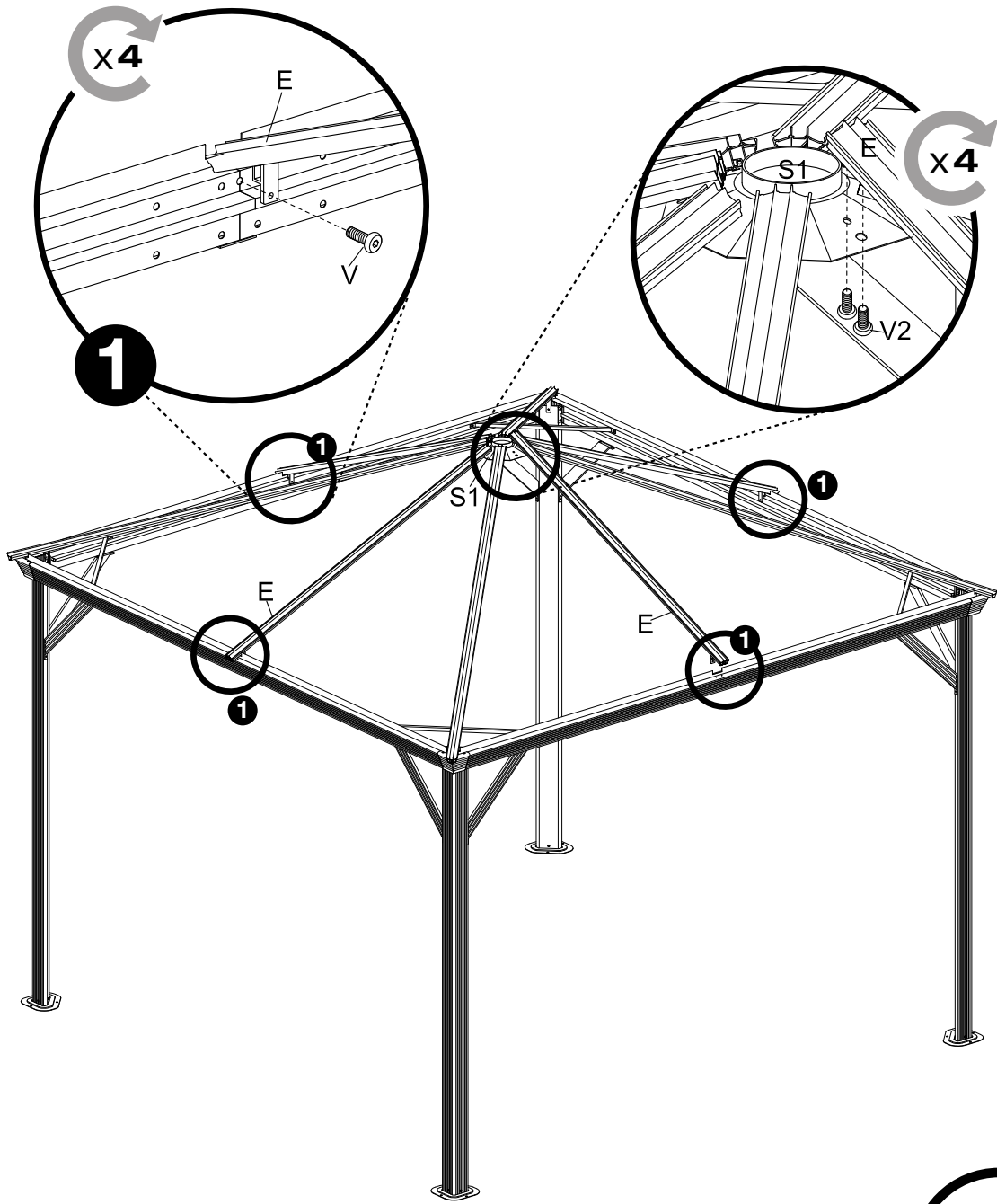


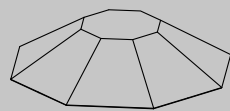
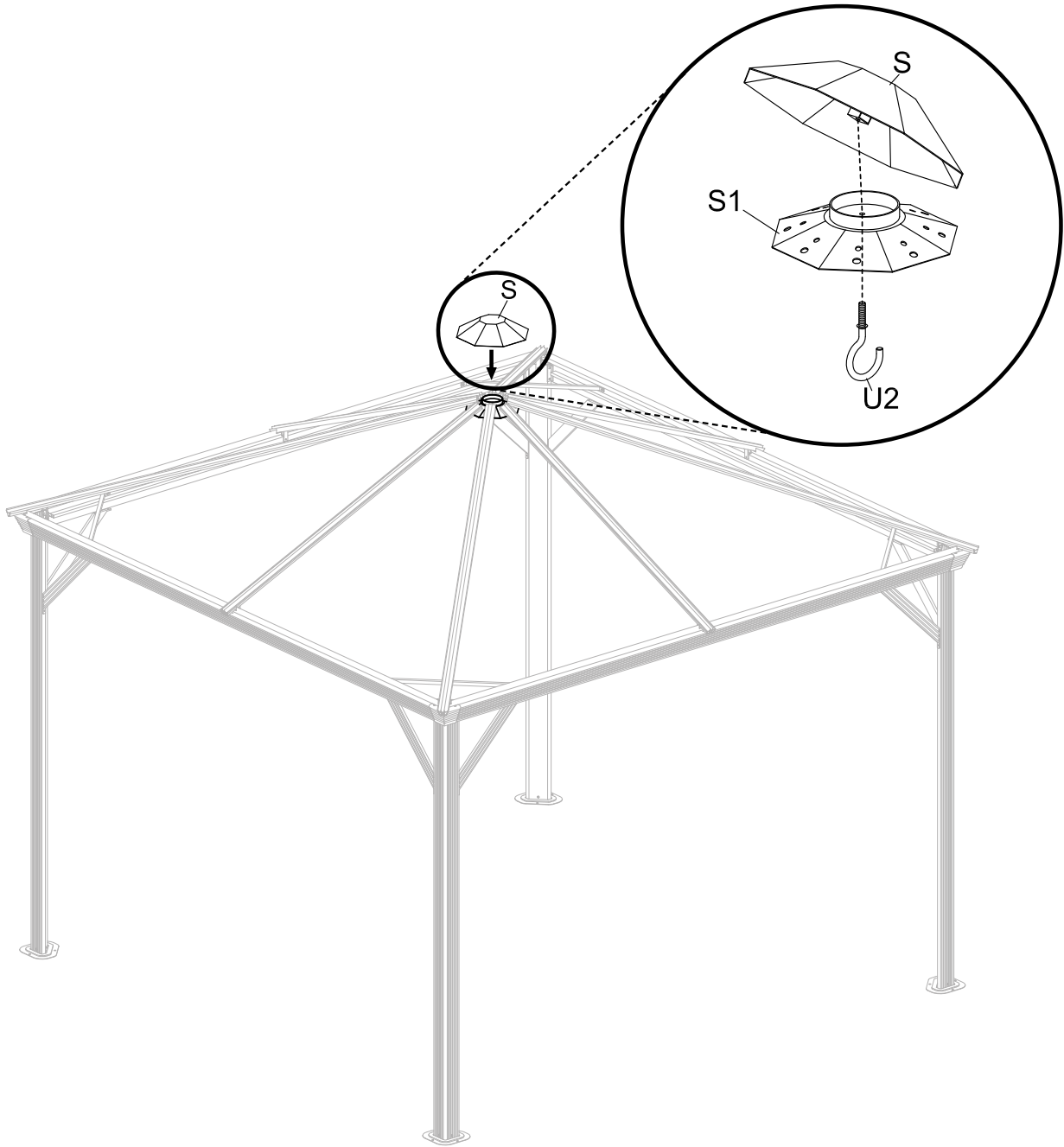






This section contains the material list and icons for the assembly step. On the left, a screw is shown with the label 'Vx4' below it. To the right, there are two circular icons: one showing two people and the number '2+', indicating that two or more people are required for this step; the other showing a hex key, indicating that a hex key is needed for the assembly.

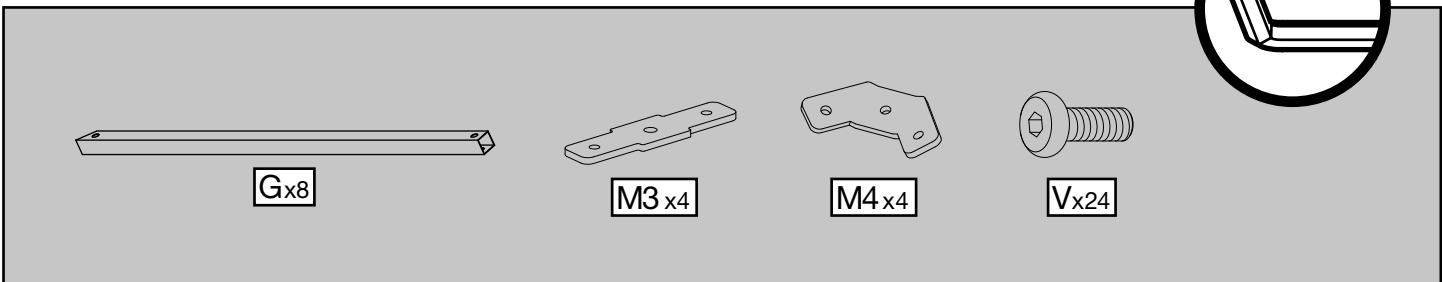
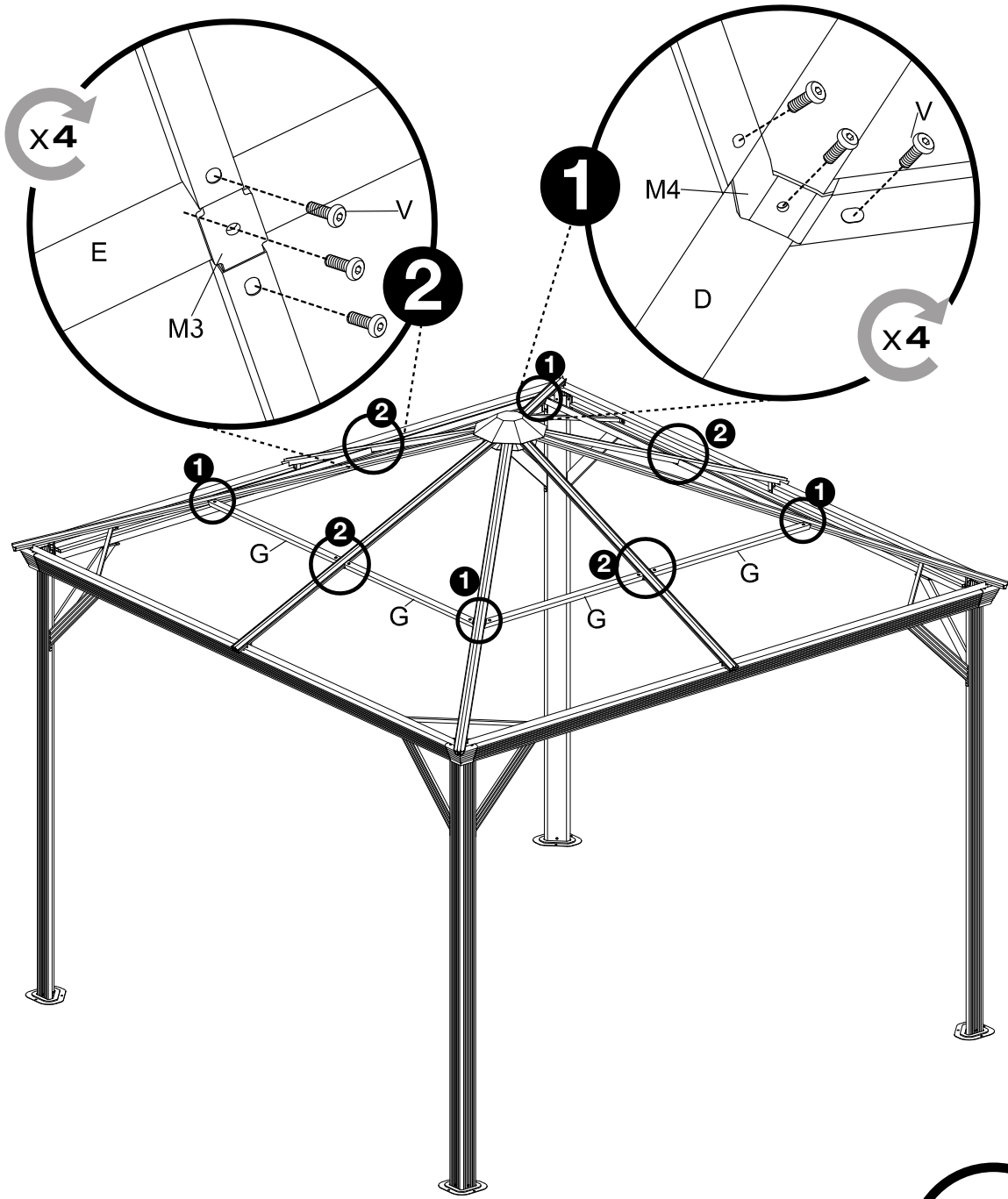




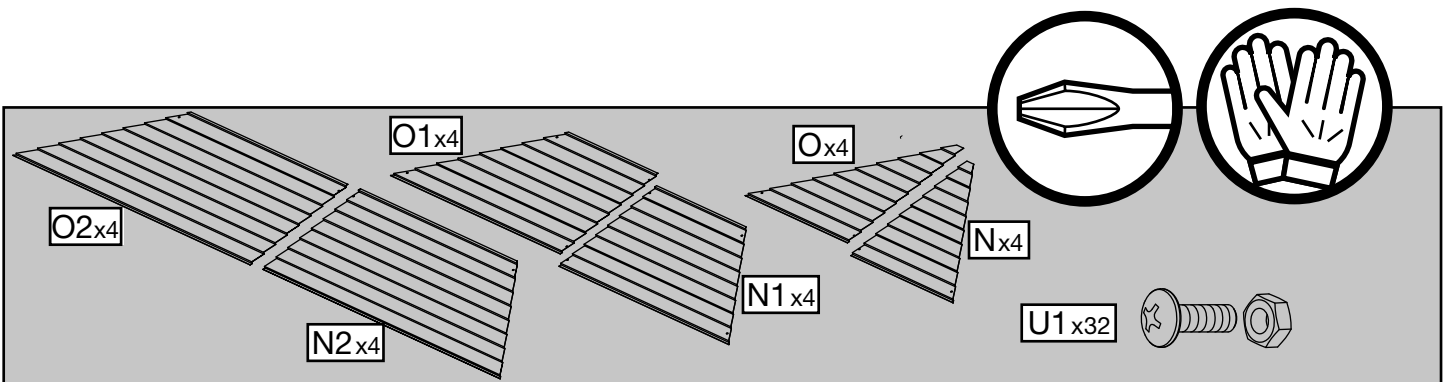
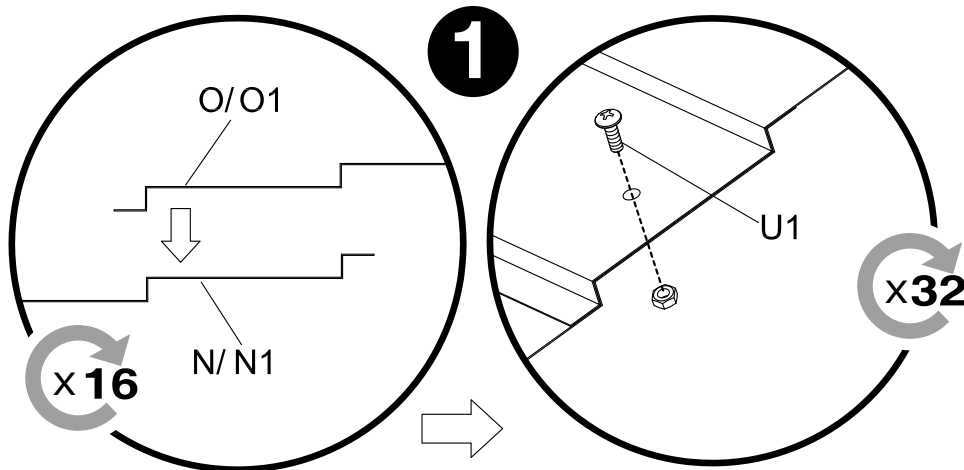
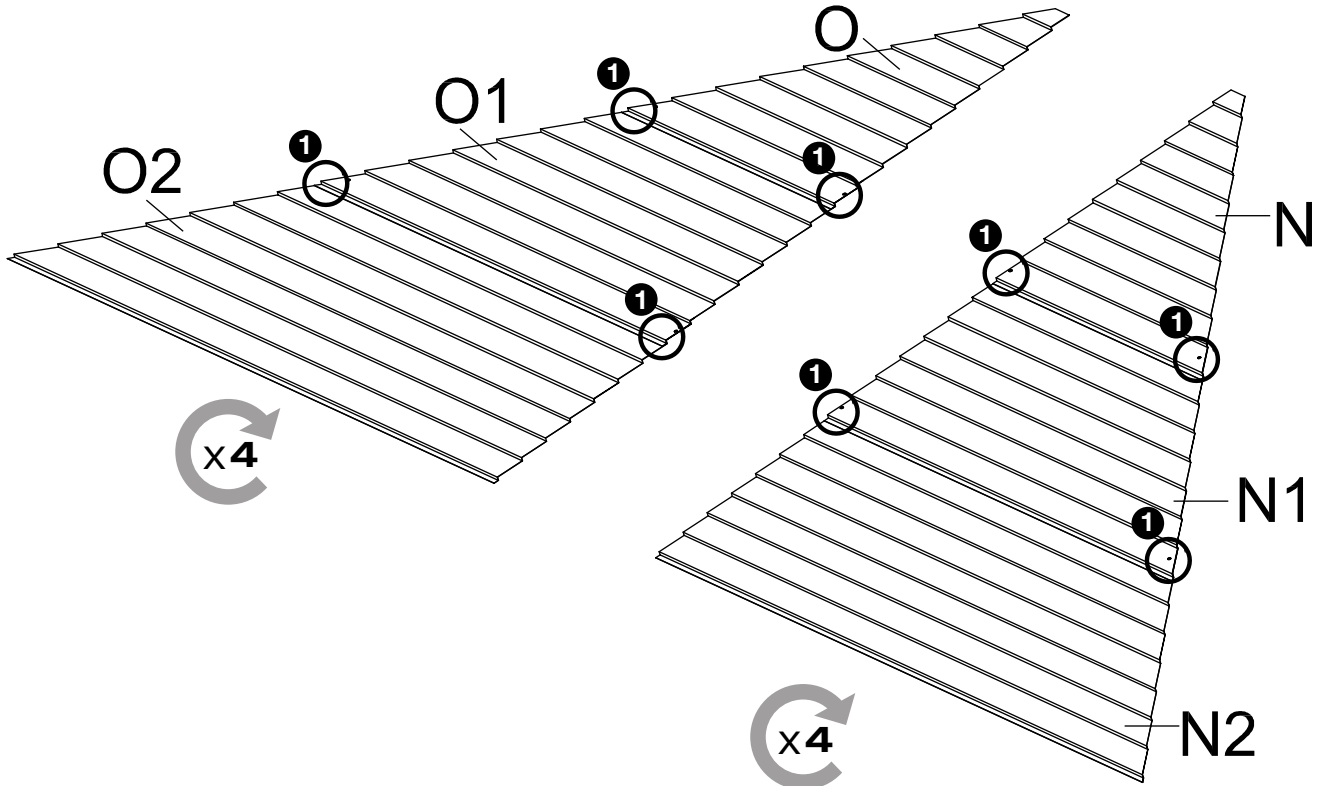
Sx1

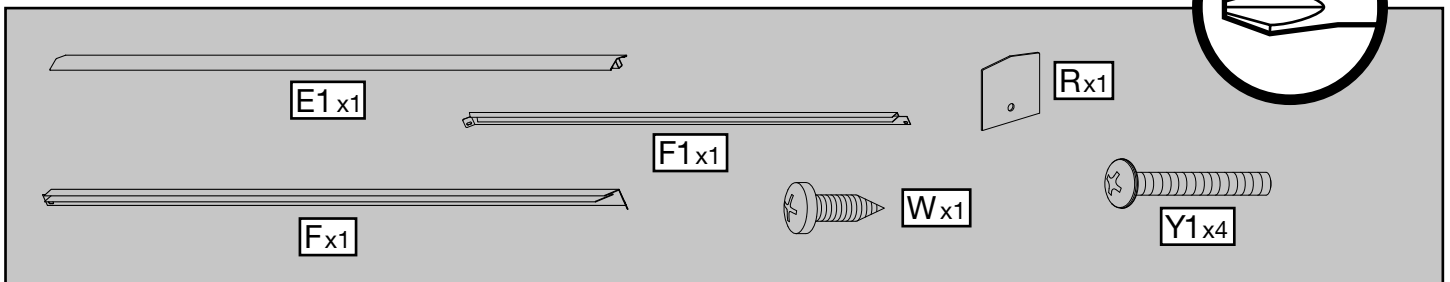
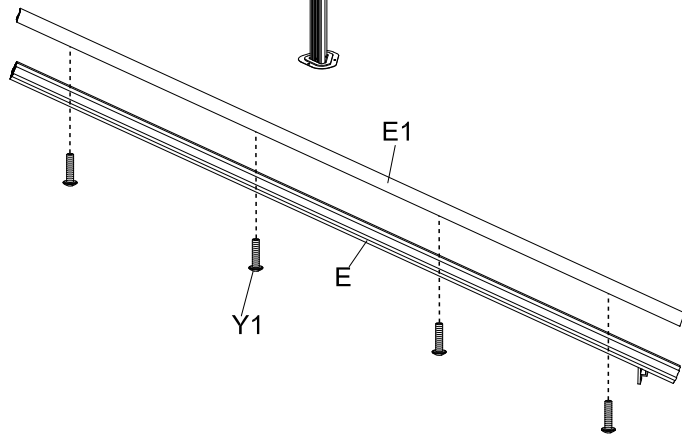
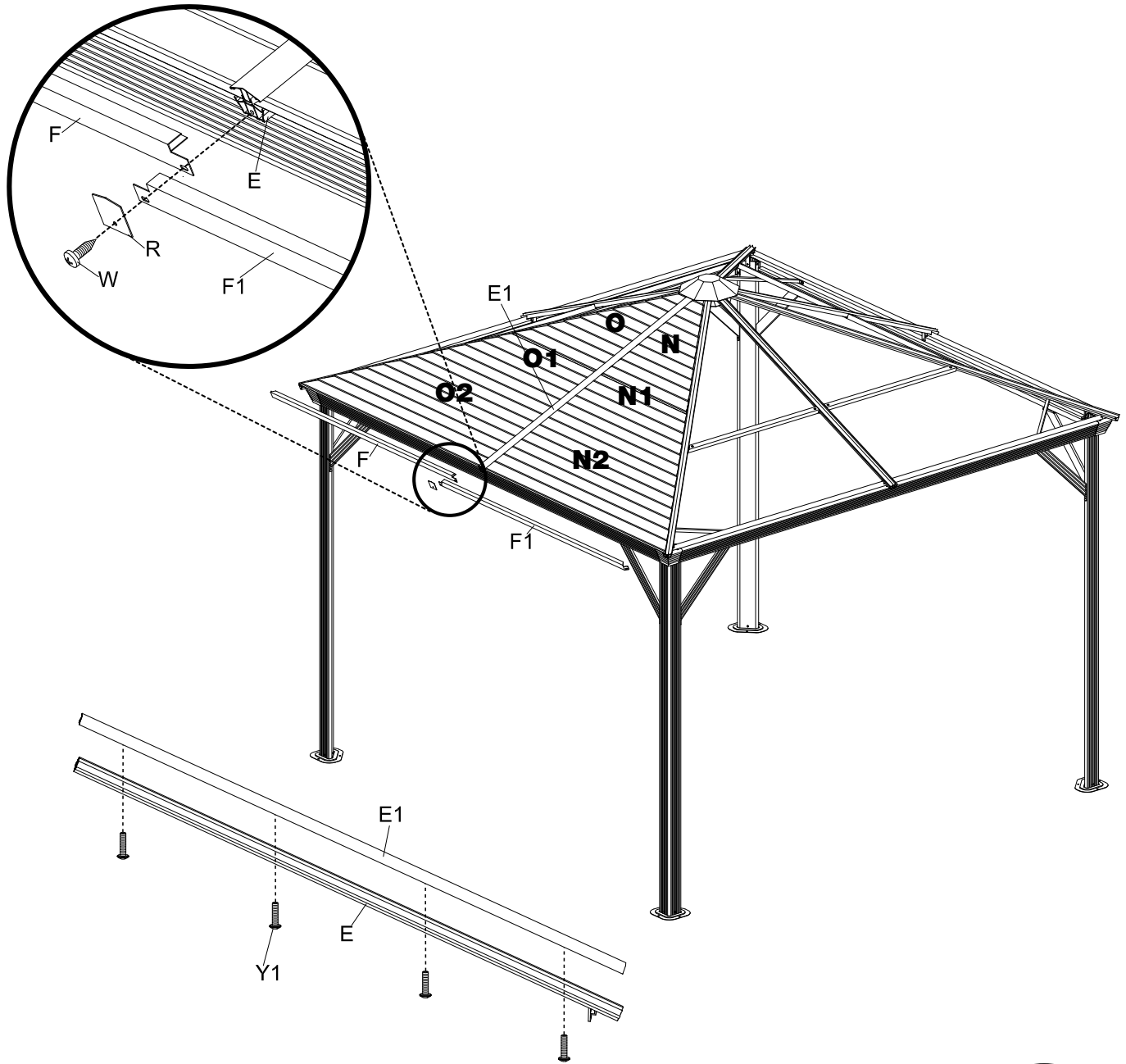


U2x1

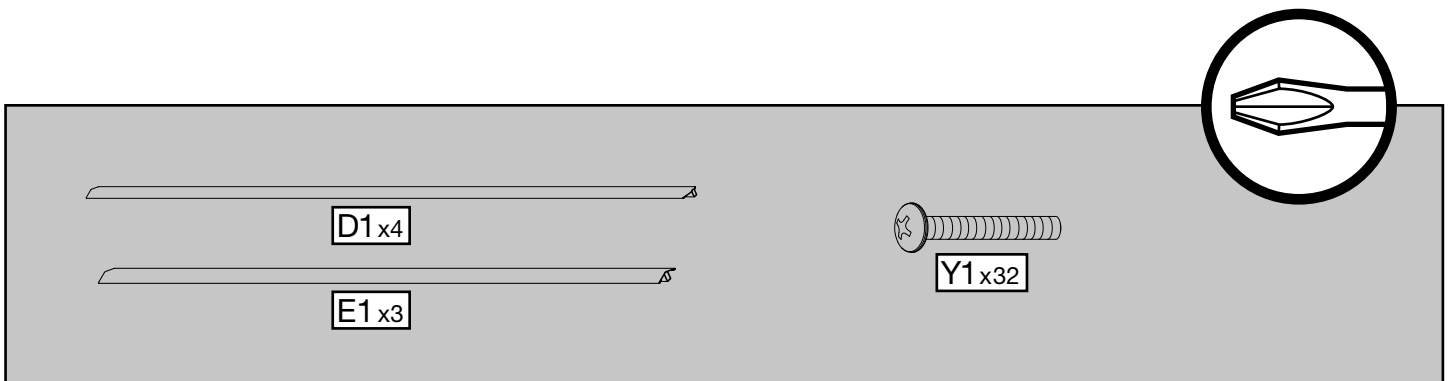
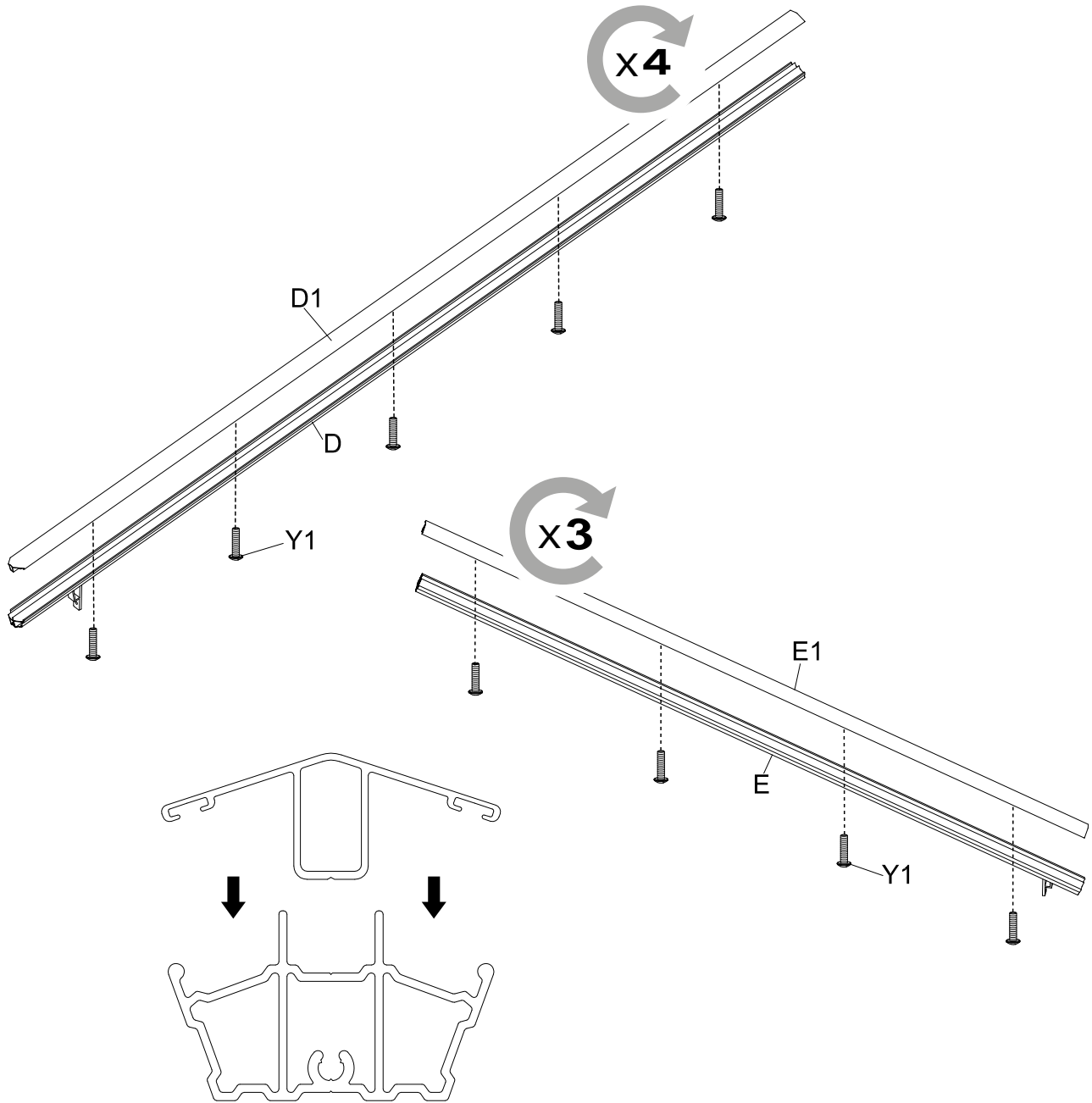


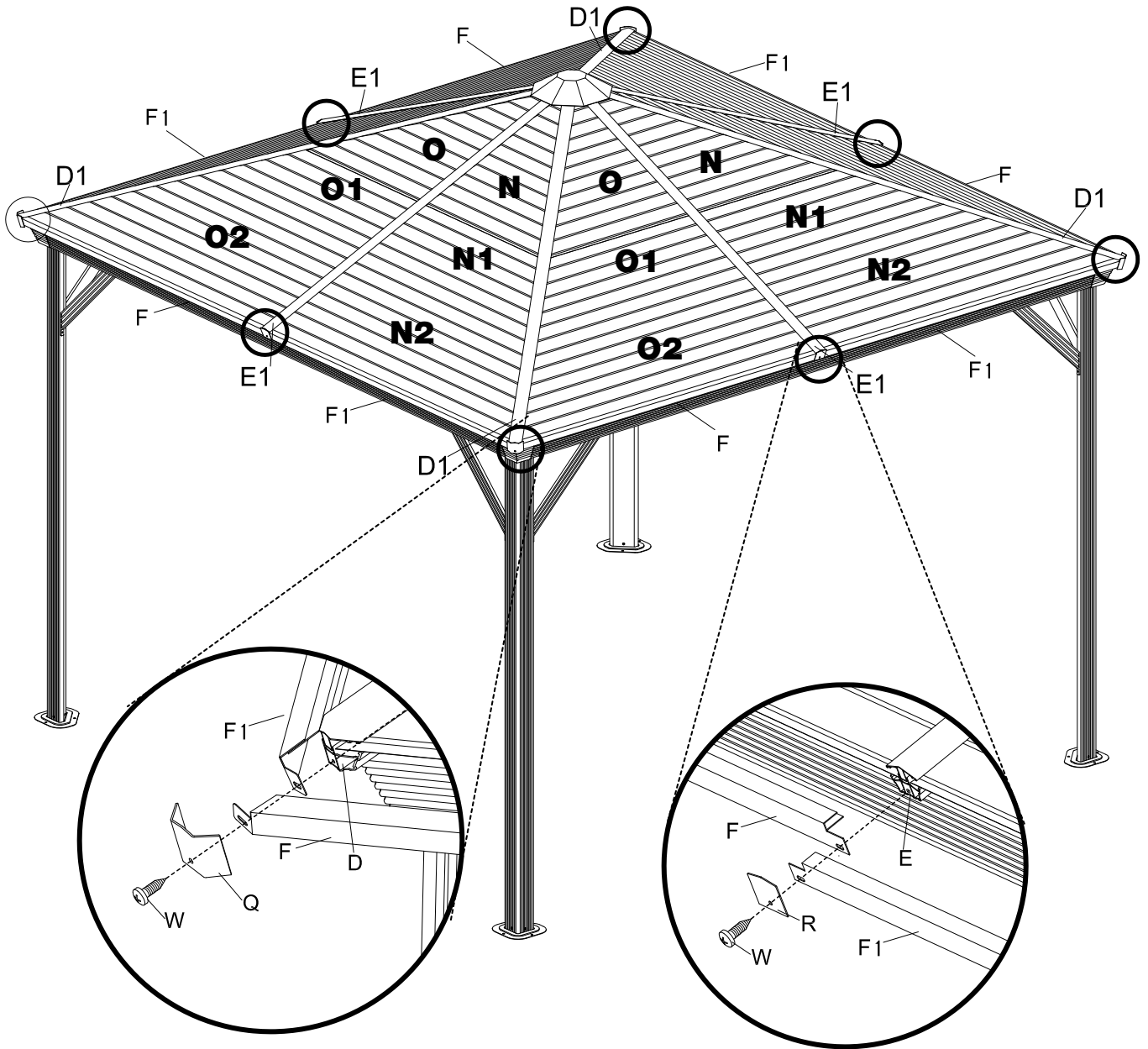




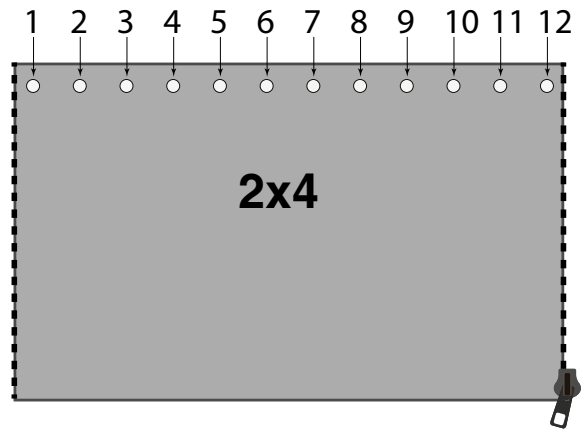
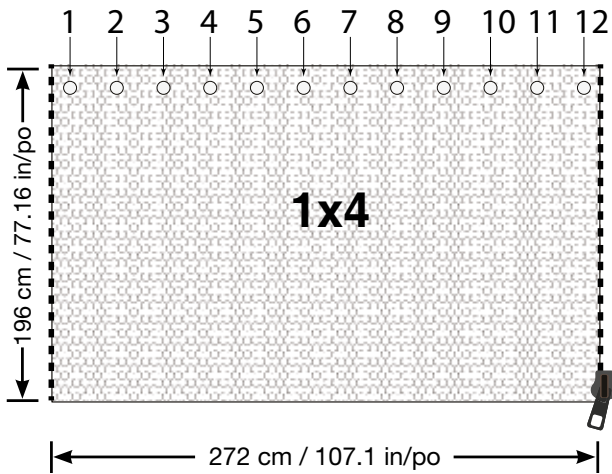
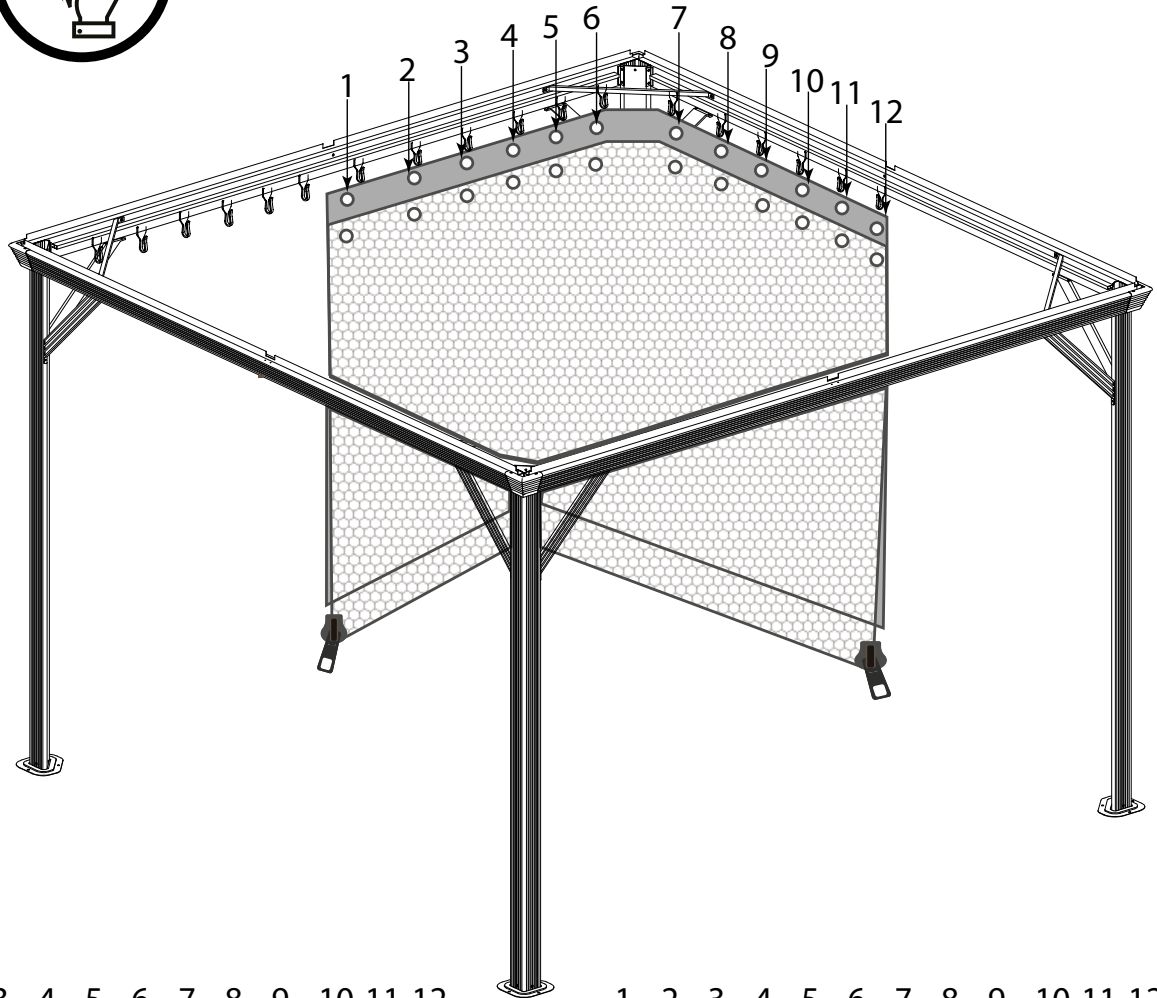


# 13A/14





This section lists the components required for the assembly. It includes two long slats labeled **Fx3** and **F1x3**. There are four brackets labeled **Qx4** and seven screws labeled **Wx7**. Additionally, there are three corner braces labeled **Rx3**. A circular inset on the right shows a detailed view of a bracket (R) being attached to a frame member (F1).







**SOJAG** ■ I  
produits saisonniers • seasonal products