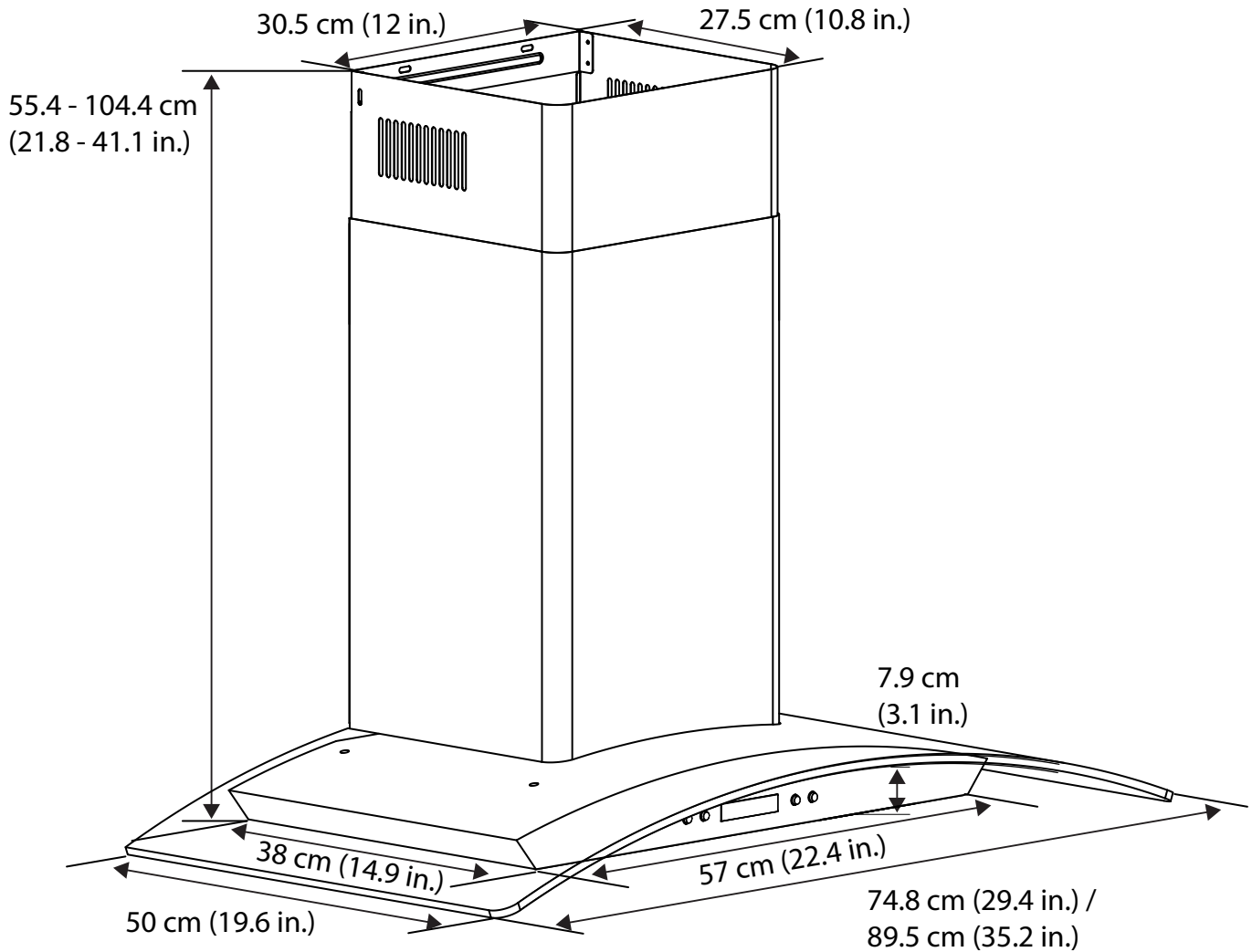


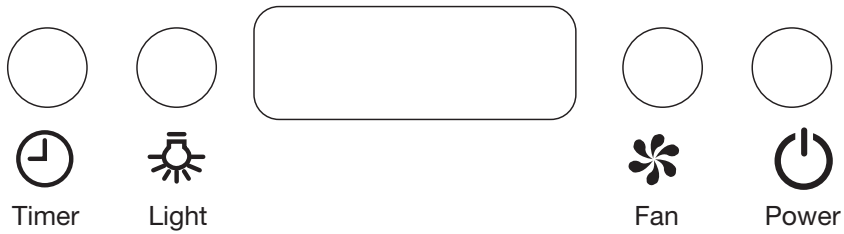
# Range Hood Dimensions





## Specifications


Body Design	Stainless Steel
Power Rating	120 V / 60 Hz (cETLus Certified)
Total Input Power	371 W (365 W + 2 x 2.55 W)
Motor Input Power	365 W
Total Amps	3.16 A
Speed Control Levels	4 Levels
Interference Levels	Radio Frequency Interference Protected
Motors	Single Motor
Control	Electronic control panel
Filtration	Aluminium Filter
Illumination	2 x 2.55 W LED lights
Venting Size	Top Round 6 Inches (153 mm)

# Operation




## Power Settings

**1** Press the On/Off button  to turn the fan on. The fan will start at the 1st (lowest) speed and the Fan indicator light  will flash.

**2** Press the On/Off button  to turn the fan on.

## Fan Controls


**1** When the range hood is in OFF position, press the Fan button  once to turn the fan on the 1st (lowest) speed. You will hear a beeping sound.


**2** Press the Fan button a second time to reach the 2nd speed.


**3** Press the Fan button a third time to reach the 3rd speed.

**4** Press the Fan button a fourth time to reach the 4th (highest) speed.

## Using the Time Delay Function

**1** When the range hood is in ON position, press the Timer button once  to turn the Timer on. The LCD display will flash and the time will be automatically set for 5 minutes.

**2** Press the Fan button  to adjust the time period for the Delay Auto Shut-Off function. The time period can be adjusted up to 60 minutes maximum.

**3** Press the Timer button  to cancel and stop the Delay Auto Shut-Off function. The Delay Auto Shut-Off Function will remember the last time period selected.

## Lights

**1** Press the light button  to turn LED lights on and off.

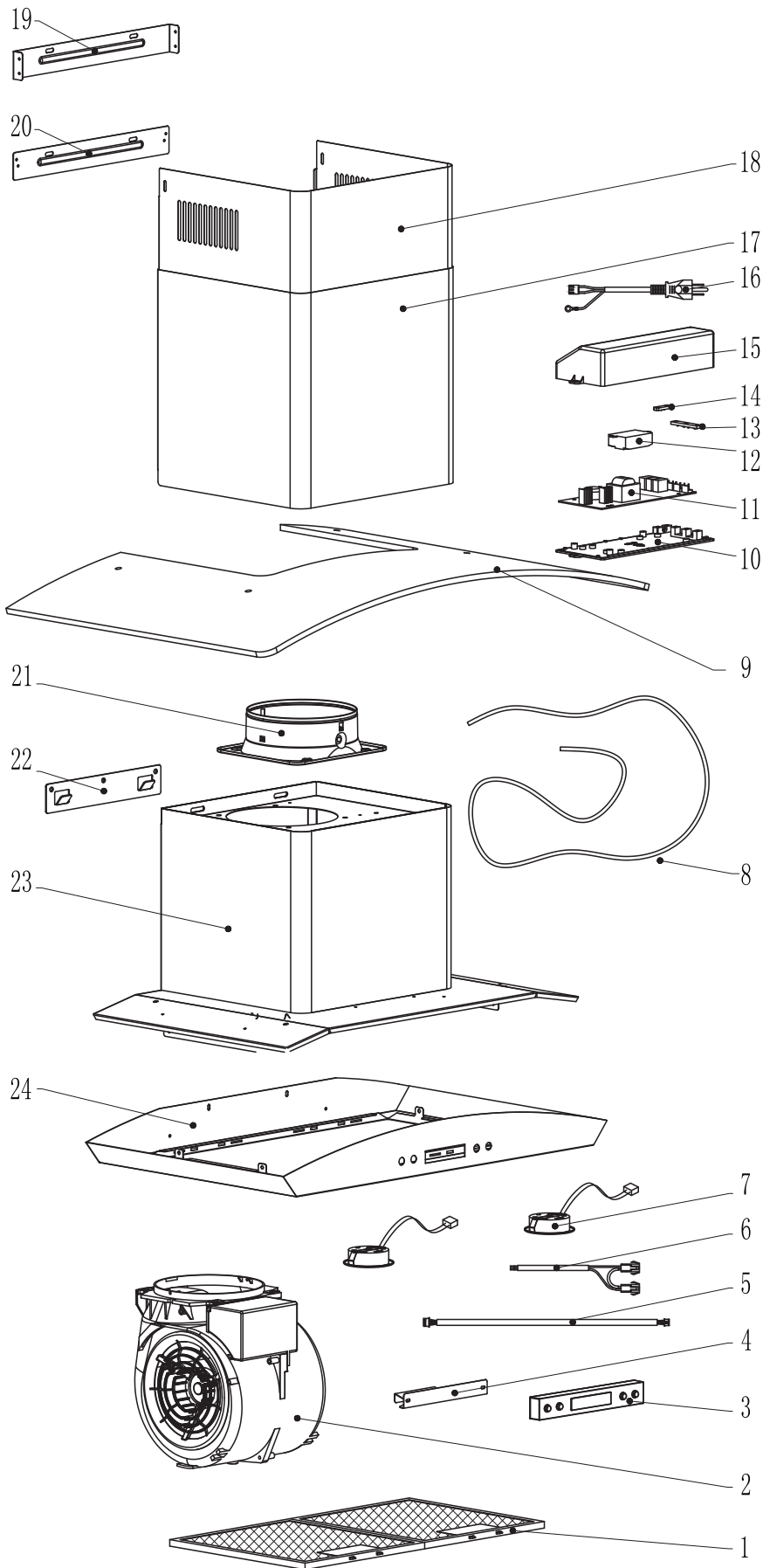
# Maintenance

## Cleaning Filters

**IMPORTANT: Drain oil from baffles, spacers, filters, oil tunnels, oil containers before oil and residue overflow!**

- Remove all baffles, spacers, filters, grease tray, and oil containers and discard oil and residue.
- Wash with warm soapy water. NOTE: Stainless steel baffles, spacers and oil tunnel are top rack dishwasher safe.
- Dry thoroughly before replacing and follow directions for installation in reverse.
- Filters should be cleaned after every 30 hours of use.
- Should filters wear out due to age and prolonged use, replace with a new filter.

# Range Hood Assembly



Number	Part
1	Aluminum filter
2	Blower assembly
3	LCD touch Switch
4	LCD touch switch box bracket
5	LCD touch switch guide wire
6	Lamp guide wire
7	LED puck lights
8	Decorative strip
9	Tempered glass
10	Electrical box base
11	PCB
12	LED puck lights driver
13	3 holes tension disc
14	2 holes tension disc
15	Electrical box cover
16	Plug
17	Lower chimney
18	Upper chimney
19	Lower chimney bracket
20	Upper chimney bracket
21	Metal outlet
22	Hook plate
23	Blower box
24	Bottom cover