

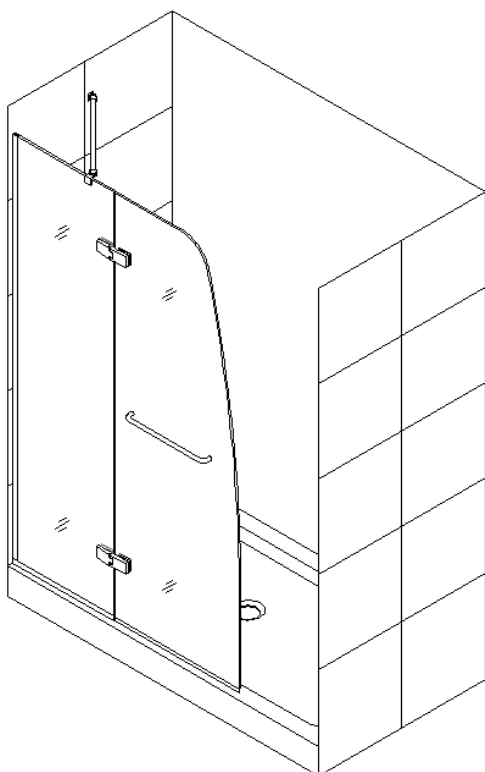


AQUA ULTRA

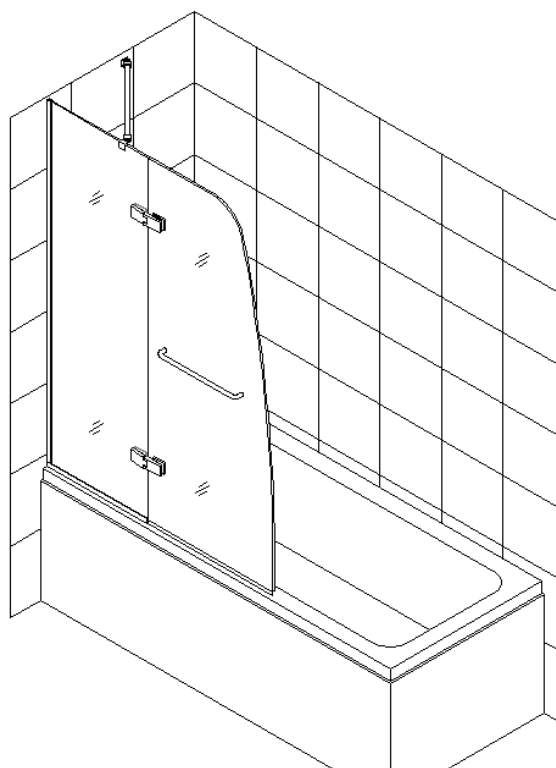
SHOWER DOOR & TUB DOOR INSTALLATION INSTRUCTIONS

IMPORTANT

DreamLine™ reserves the right to alter, modify or redesign products at any time without prior notice. For the latest up-to-date technical drawings, manuals or any other details please refer to your model's web page on BathAuthority.com



Model# SHDR-3445720-01, 04
finish
01= Chrome
04=Brushed Nickel



Model# SHDR-3448580-01, 04
finish
01= Chrome
04=Brushed Nickel

Right hand door installation shown

Please read these instructions carefully before installing. If you have any questions regarding installation, please contact our technical support specialists Monday through Friday 8:00 AM – 7:00 PM EST at Phone: **1-866-731-2244**, Fax: **1-866-857-3638** or e-mail our technical support group at **Support@BathAuthority.com**

For more information about DreamLine™ products please visit www.BathAuthority.com

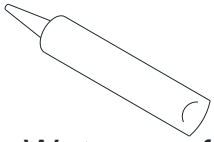
Preparation

1. Prior to installation, examine all boxes and packages for shipping damage and compare the piece count with your packing slip. After opening all boxes and packages read this introduction carefully. Check that all of the needed parts are included in the package by checking off the components on the "Detailed Diagram of Shower Door Components". If the unit has been damaged, has a finishing defect, or has missing parts, please contact our customer support department within **3 business days** of the delivery date. Please note that **DreamLine™ will not replace any damaged products or missing parts free of charge after 3 business days or if the product has been installed.** Feel free to contact DreamLine™ if you have any questions, and please provide an order number, job name or other proof of purchase to help us identify your original order.
2. **Please note that you should consult your local building codes with questions on installation compliance standards. Building and plumbing codes may vary by location, and DreamLine is not responsible for code compliance standards for your project and will not accept any returns.**
3. If this unit is going to be installed in a new construction, install all of the required plumbing and drainage before installing the shower. **Use a competent and licensed (if required by local code) plumber for all plumbing installation.**
4. Prior to installation, ensure that the installation surface is leveled and solid and will be able to support the total weight of the unit. Also, make sure the walls are at right angles. Irregular installation surface level or improper angle of side walls will result in serious problems for your installation. Please, note that some adjustments and drilling might be necessary during the installation process.
5. This unit must be installed against finished walls and floor.

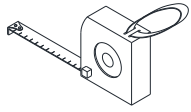
Instructions are given for the shower door installation. Please, follow the same instructions to install the tub door.

NOTE: This model is reversible for left or right hand installation. This manual will show the right hand door installation. For a left hand door installation, simply begin on the opposite wall and reverse the orientation of the parts as necessary.

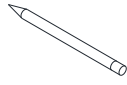
Tools Required



Waterproof
Silicone



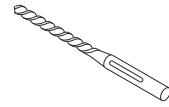
Tape
Measure



Pencil



Phillips
Screwdriver



Drill bit
(Ø=5/16")



Drill bit
(Ø=1/8")



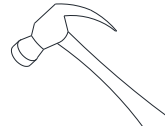
Level



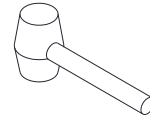
Caulk
Gun



Electric
Drill



Hammer

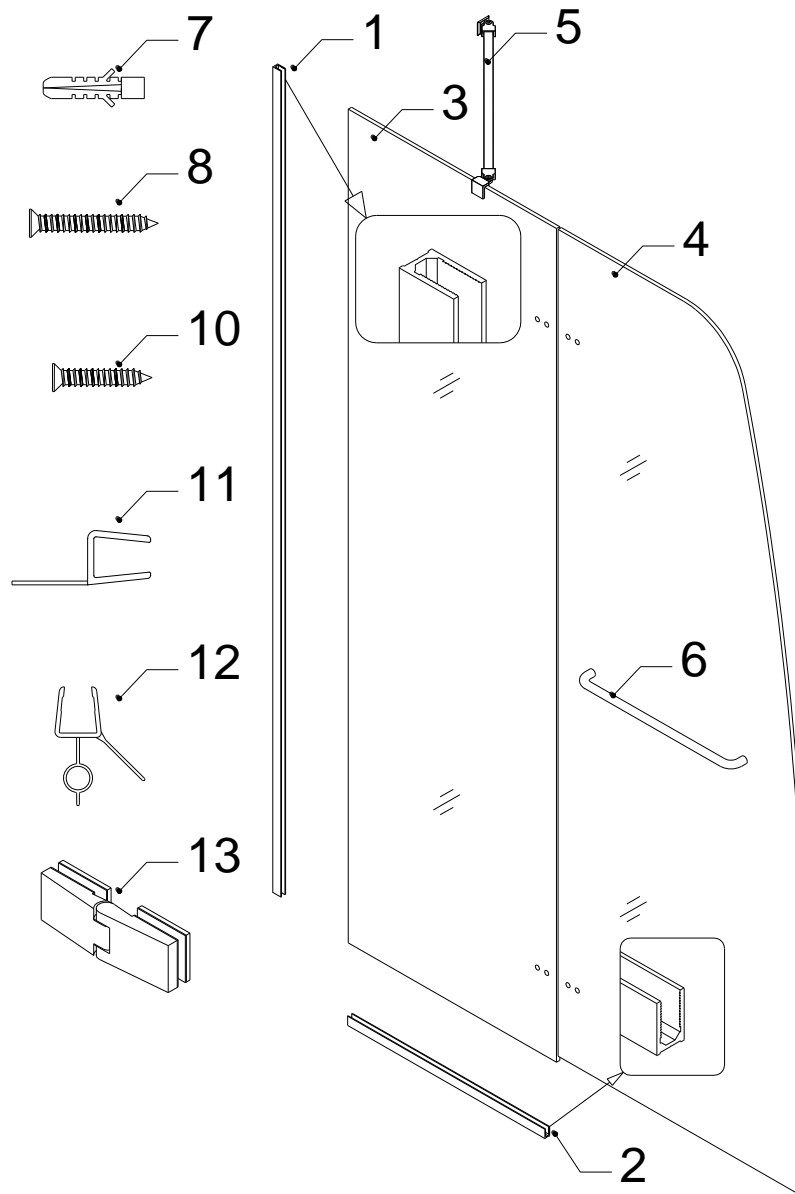


Mallet



Wood

Detailed Diagram of Shower and Tub Door Components



Parts List

01	U-Channel 1 (wall profile)	1pc	07	Wall anchor	5pcs
02	U-Channel 2 (bottom profile)	1pc	08	Countersunk screw ST4.2×40	5pc
03	Stationary glass	1pc	10	Countersunk screw ST4.2×25	2pcs
04	Glass door	1pc	11	Side anti-water strip	1pc
05	Support bar	1pc	12	Bottom anti-water strip	1pc
06	Handle	1pc	13	Hinge	2pcs

NOTE: Unpack your unit carefully and inspect it. Lay it out and identify all parts using detailed diagram of shower door components and parts list on this page as a reference. Before discarding the carton, check for small hardware bags that tend to fall to the bottom of the box. If any parts are damaged or missing, please contact DreamLine™ for replacement.

NOTE: Retain these installation instructions for future reference.

Shower and Tub Door Installation

1. Place the **U-Channel 2 (02)** onto the Shower base or Tub. Adjust the **U-Channel 2** position in the middle of the ledge. Mark the drill holes on the ledge through the predrilled holes in the **U-Channel 2** and drill the holes using **Ø1/8" drill bit**.

NOTE: If you are installing tub door and not drilling the holes for U-Channel 2, use rubbing alcohol to clean the tub ledge of dirt before applying silicone.

Apply waterproof silicone along the bottom surface and around the holes of the **U-Channel 2** and fasten it onto the ledge with the **Countersunk screws ST4.2×25 (10)** .

See Fig. 1 & 2 for details.

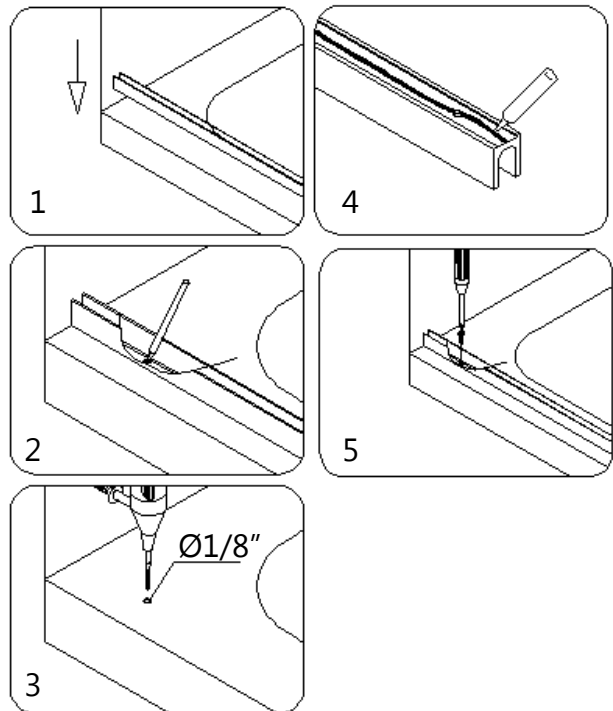


Fig. 1

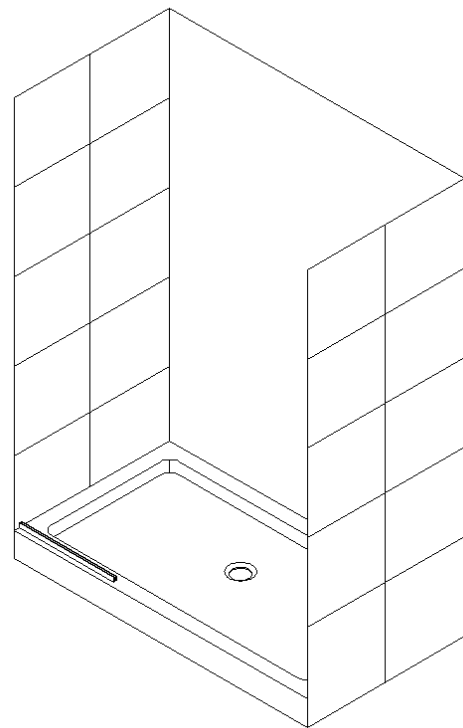


Fig. 2

2. Place the **U-Channel 1 (01)** on the **U-Channel 2 (02)** vertically against the finished wall.

Adjust the **U-Channel 1** vertically using a level.

Mark the drill holes on the wall through the predrilled holes in the **U-Channel 1**. Now drill holes in the wall using **Ø5/16" drill bit** and insert the **Wall anchors (07)**.

See Fig. 3 & 4 for details.

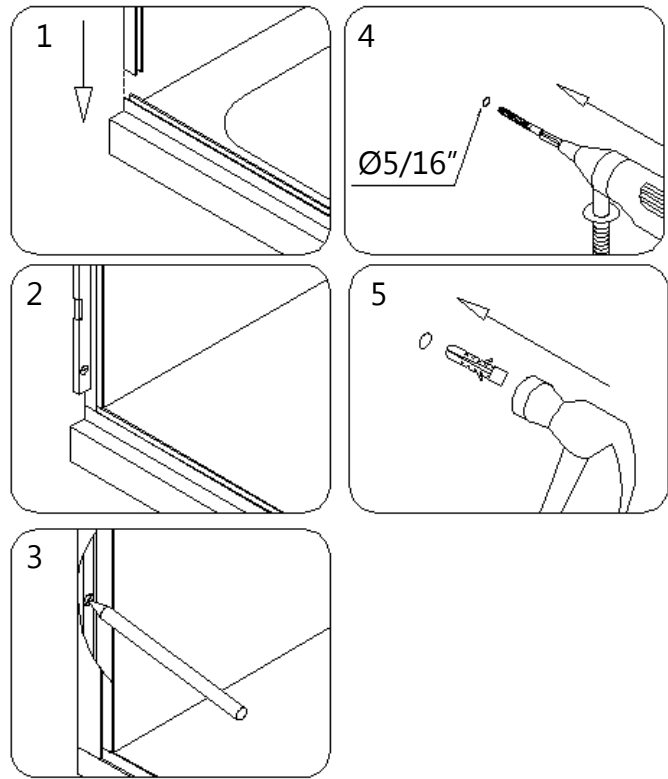


Fig. 3

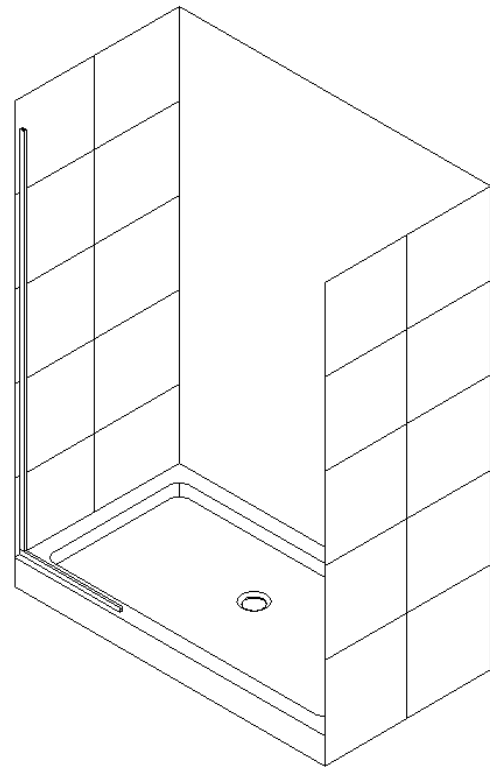


Fig. 4

3. Apply waterproof silicone along the bottom surface and around the holes of the **U-Channel 1 (01)**. Fasten the **U-Channel 1** to the wall with the **Countersunk screws ST4.2×40 (08)**.

Apply Waterproof silicone into the groove of both **U-Channels**.

See Fig. 5 for details.

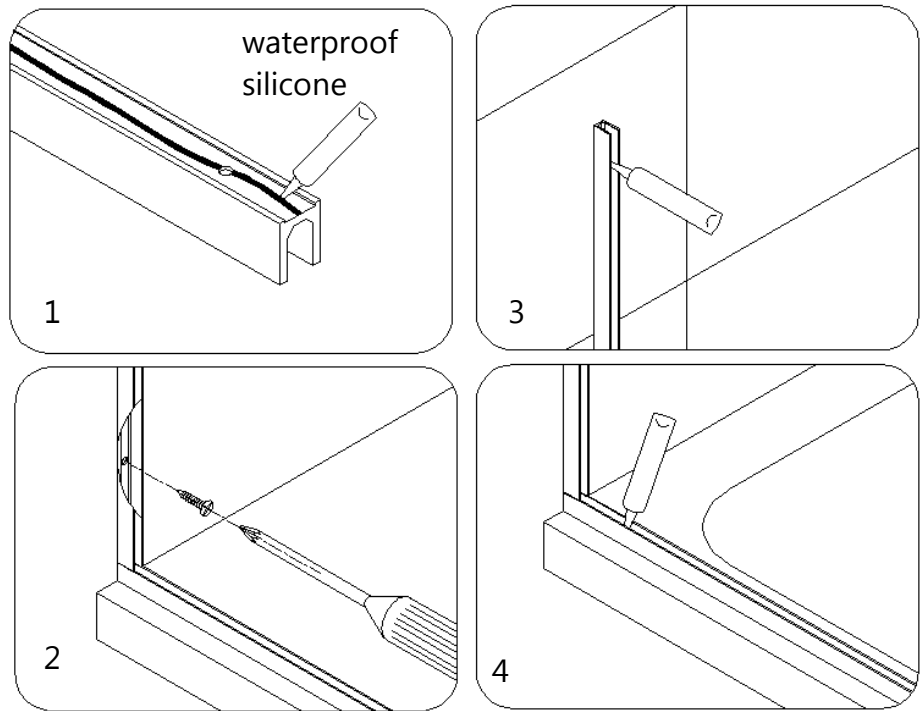


Fig. 5

4. Slide the **Stationary glass (03)** into the groove of both **U-Channels**.

NOTE:

If you have difficulty sliding the **Stationary glass** into the **U-Channels**, you can slightly tap on the **Stationary glass** with a rubber mallet and a piece of wood.

Apply a bead of silicone on both ends of the **U-Channels**, and its connection.

See fig. 6 for details.

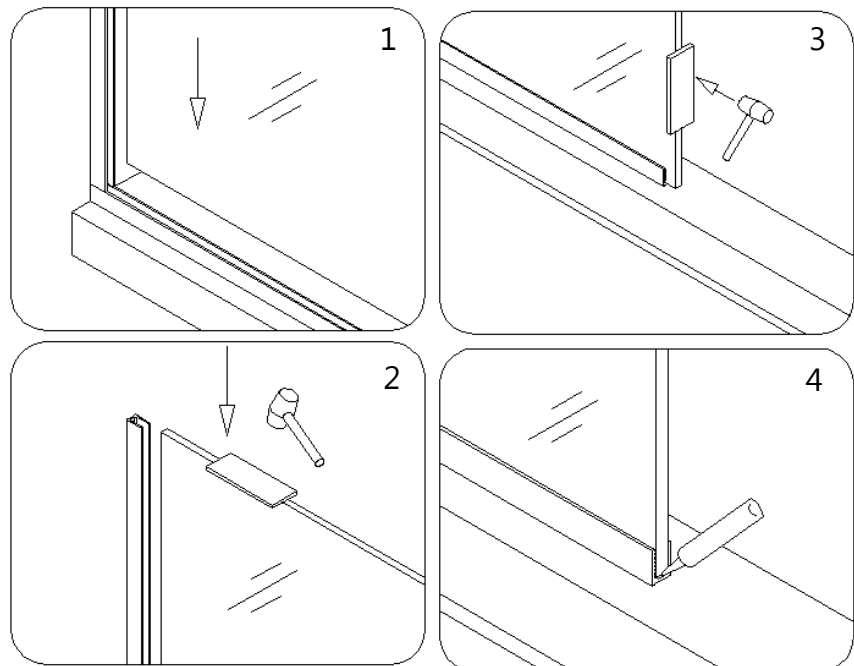


Fig. 6

5. Locate the **Support bar (05)**.

Adjust the **Support bar** to a proper position on the **Stationary glass (03)** and the wall. Level it horizontally. Hold it firmly and outline the bracket's position on the wall. Remove the **Support bar** and detach the wall bracket from it. Place the bracket against its outlined position on the wall and mark the drilling hole.

Drill the hole using $\text{Ø } 5/16''$ drill bit; insert the **Wall anchor (07)** and fasten the bracket to the wall with the **Countersunk screw ST4.2×40 (08)**. Attach the **Support bar** to the wall and the **Stationary glass** and tighten the set screws and the glass holding screw to secure the glass.

See Fig. 7 & 8 for details.

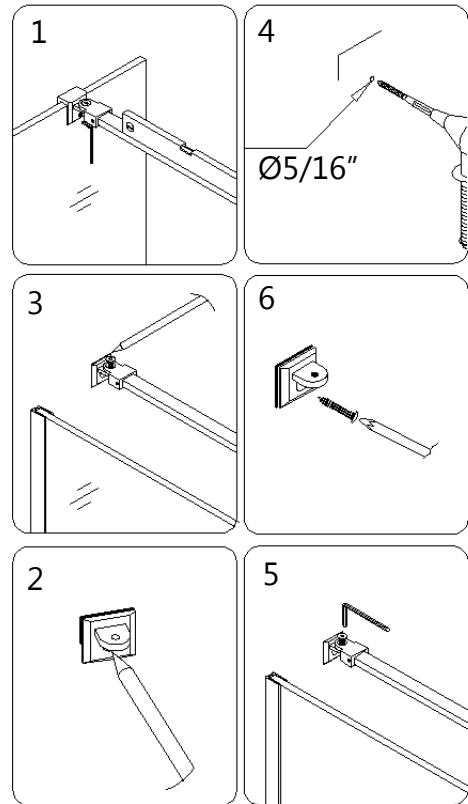


Fig. 7

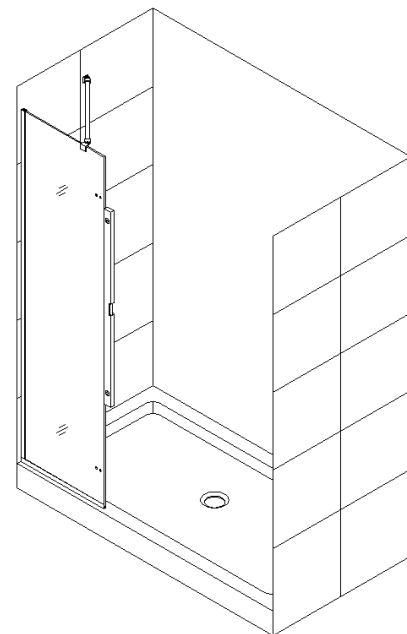


Fig. 8

6. Attach the **Hinges (13)** to the **Stationary glass (03)** with the decorative bolts facing inside the shower.

See Fig. 9 & 10 for details.

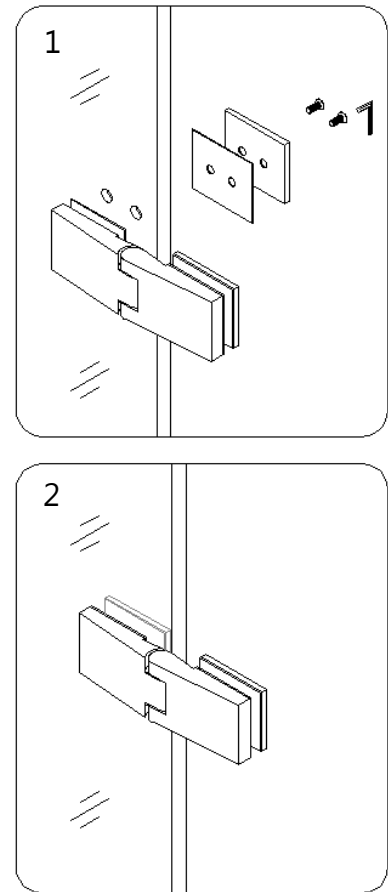


Fig. 9

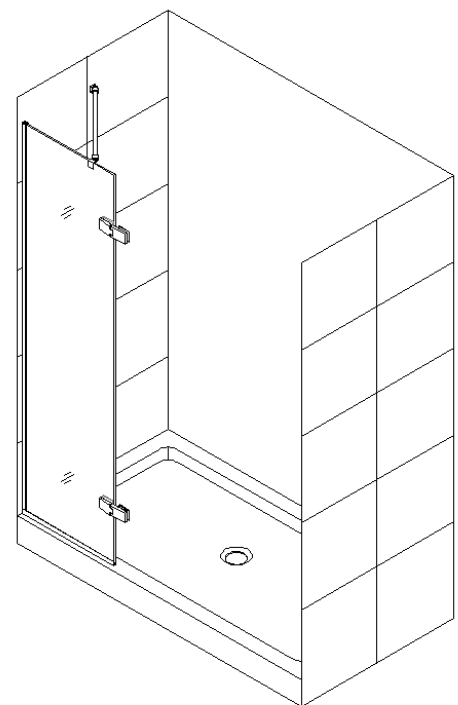


Fig. 10

7. Bring the **Glass door (04)** onto the Shower base.
Level up the **Glass door** next to the **Stationary glass (03)** and fasten the **Hinges (13)** on the **Glass Door**. Make sure the top edges of the **Glass door** and the **Stationary glass** are aligned.

See Fig. 11 for details.

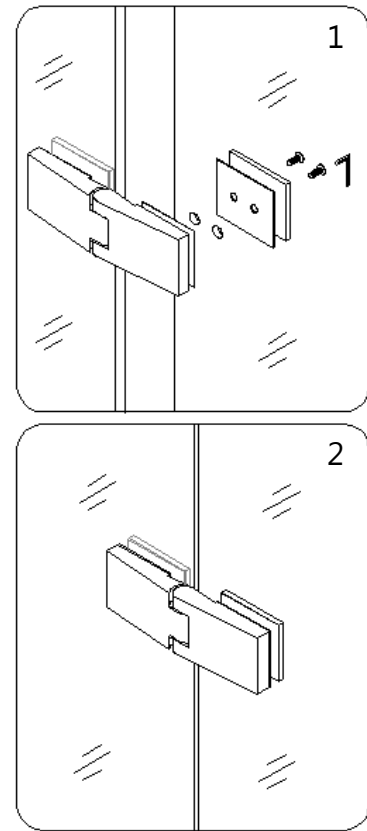


Fig. 11

8. Press the **Bottom anti-water strip (12)** on the bottom edge of the **Glass door (04)**.
Press the **Side anti-water strip (11)** on to the vertical edge of the **Glass door**.
Install the **Handle (06)** to the **Glass door (04)**.

See Fig. 12 for details.

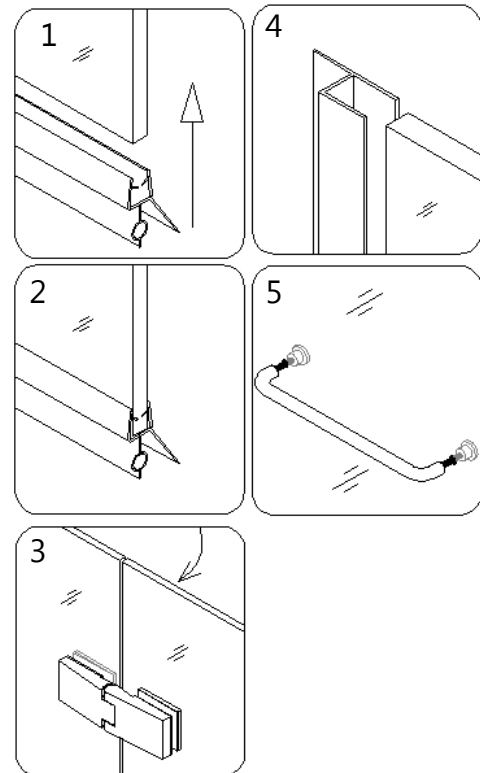


Fig. 12

9. Let silicone cure properly for about 24 hours.

NOTE: If you are installing the tub door model and choose not to drill the holes for U-Channel 2 into the tub deck, please monitor the silicone and reapply as necessary to keep the door and panel in a safe and stable condition.

See Fig. 13 for details.

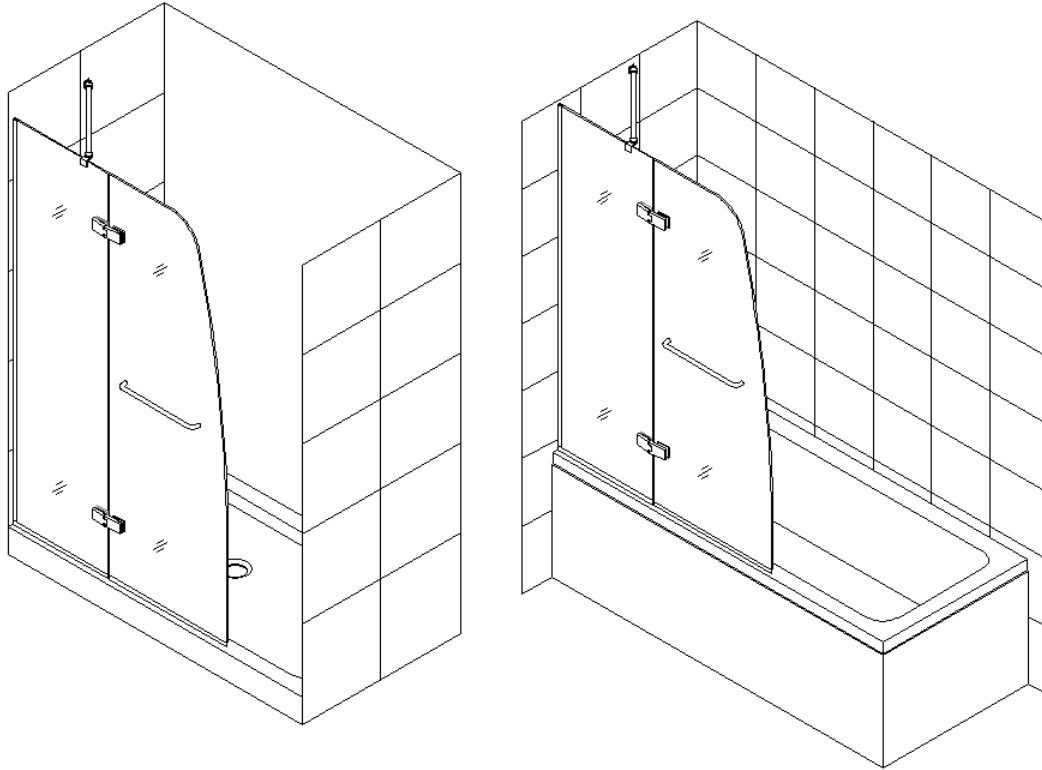


Fig. 13

Product Maintenance

BASES and BACKWALLS: To ensure a long life for your acrylic back walls: wipe them off after each use with a soft cloth. To clean the acrylic back walls use non-abrasive sprays or cream based cleaners. Never use abrasive cleansers, metal brushes or scrapers that could scratch or dull the surface.

GLASS: To ensure long lasting life for your glass shower products: wipe them off after each use with a soft cloth. Rinse and wipe off the glass using either a soft cloth or a squeegee to prevent soap buildup and water spots. To prevent scratching the surface: never use abrasive cleaners and cleaning products that contain scouring agents. Never use bristle brushes or abrasive sponges.

HARDWARE: To ensure a long lasting finish: wipe off the metal parts after each use with a soft cloth. Do not use abrasive cleaners or cleaning products containing ammonia, bleach or acid. If accidentally used, rinse the surface as soon as possible to prevent finish peeling or corrosion. After cleaning the shiny finishes, rinse thoroughly and wipe dry with soft cloth. Clean stainless steel surfaces at least once a week. When applying stainless steel cleaner or polish, work with (not across) the grain. Never use abrasive sponge or cloth, steel wool or wired brushes.



TEL: [866-731-2244](tel:866-731-2244)

FAX: [866-857-3638](tel:866-857-3638)

[WWW.BATHAUTHORITY.COM](http://www.BATHAUTHORITY.COM)

For more information on [DreamLine™ Shower Doors](#) & [Tub Doors](#) please visit www.BathAuthority.com