

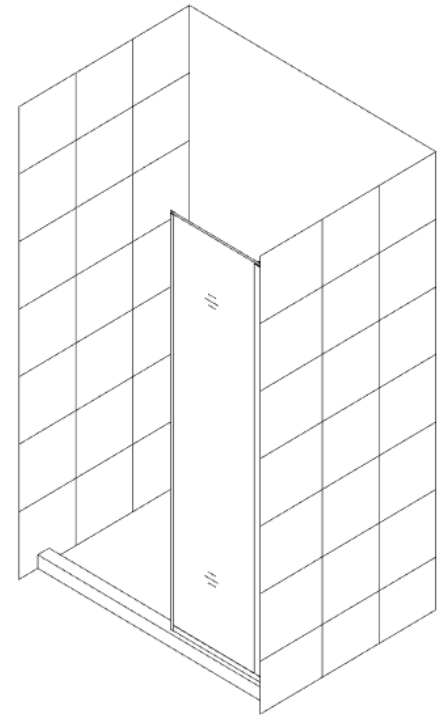
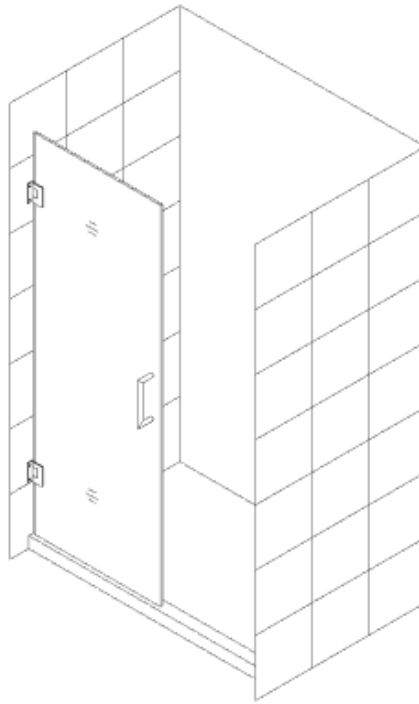
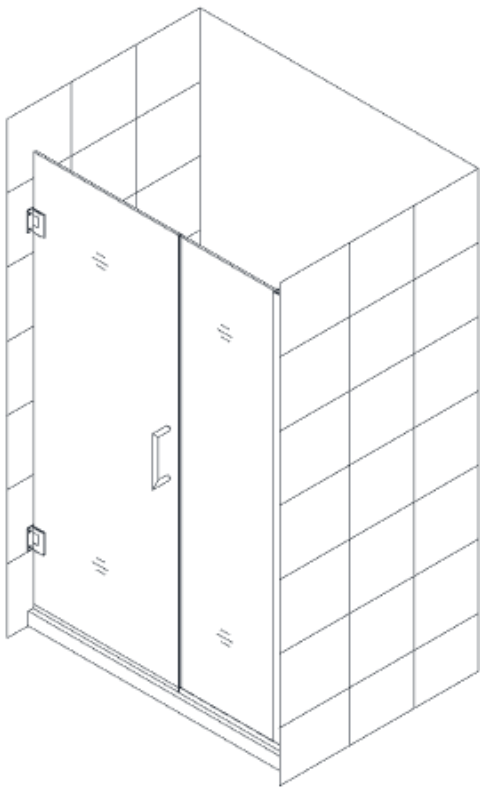


UNIDOOR PLUS (STYLE F)

SHOWER DOOR & GLASS PANEL INSTALLATION INSTRUCTIONS

IMPORTANT

DreamLine® reserves the right to alter, modify or redesign products at any time without prior notice. For the latest up-to-date technical drawings, manuals, warranty information or additional details please refer to your model's web page on **DreamLine.com**



STEP 1: Install Shower Door

STEP 2: Install Panel

STYLE F



Questions?

Please Call **DreamLine Customer Support: 1-855-831-2126**
Hours of Operation M-F 8AM - 7PM EST and Saturday 9AM - 5PM EST

Support@DreamLine.com



For more information about DreamLine Shower Doors, Tub Doors and Enclosures, please visit DreamLine.com

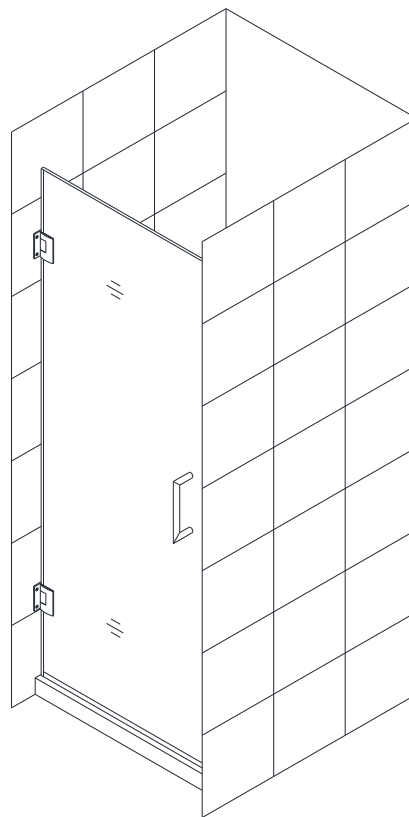


UNIDOOR/UNIDOOR-LS/UNIDOOR LUX/UNIDOOR PLUS

SINGLE SHOWER DOOR INSTALLATION INSTRUCTIONS

IMPORTANT

DreamLine® reserves the right to alter, modify or redesign products at any time without prior notice. For the latest up-to-date technical drawings, manuals, warranty information or additional details please refer to your model's web page on **DreamLine.com**



Right-hand installation shown

Model #s

SHDR-20237210F-##
SHDR-20247210F-##
SHDR-20257210F-##
SHDR-20267210F-##
SHDR-20277210F-##
SHDR-20287210F-##
SHDR-20297210F-##
SHDR-20307210F-##

= Finish

01 = Chrome
04 = Brushed Nickel
06 = Oil Rubbed Bronze
09 = Satin Black
HFR=Half-Frosted

NOTE: The glass-to-wall hinges for this door must be attached into studs or to preinstalled 2" x 6" wood reinforcement behind the wall.

Please review this entire manual prior to beginning installation.

ATTENTION: Please see specific installation instructions on page 2 when using the **Frosted Band glass option.**



Questions?

Please Call **DreamLine Customer Support: 1-855-831-2126**
Hours of Operation M-F 8AM - 7PM EST and Saturday 9AM - 5PM EST

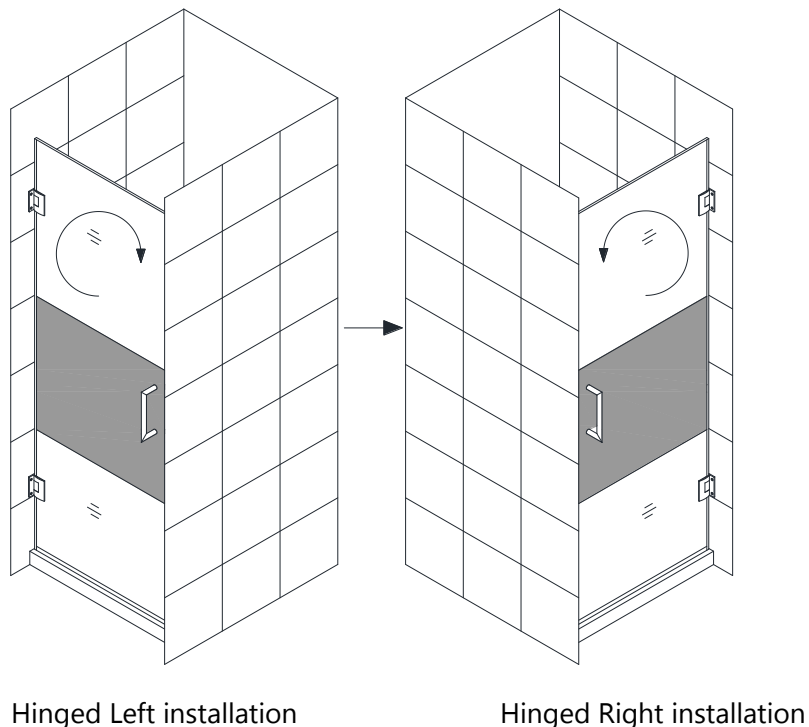
Support@DreamLine.com



For more information about DreamLine® products please visit DreamLine.com

Style "A" (single door installation shown) with Half-Frosted Glass:

NOTE: This model features the Half-Frosted glass option. The textured surface on the door glass should be installed to face outside of the shower. The door glass can be flipped for left or right-hand installation.



This model is treated with DreamLine's exclusive ClearMax™ Glass technology. This is a specially formulated coating that prevents the build up of soap and water spots.

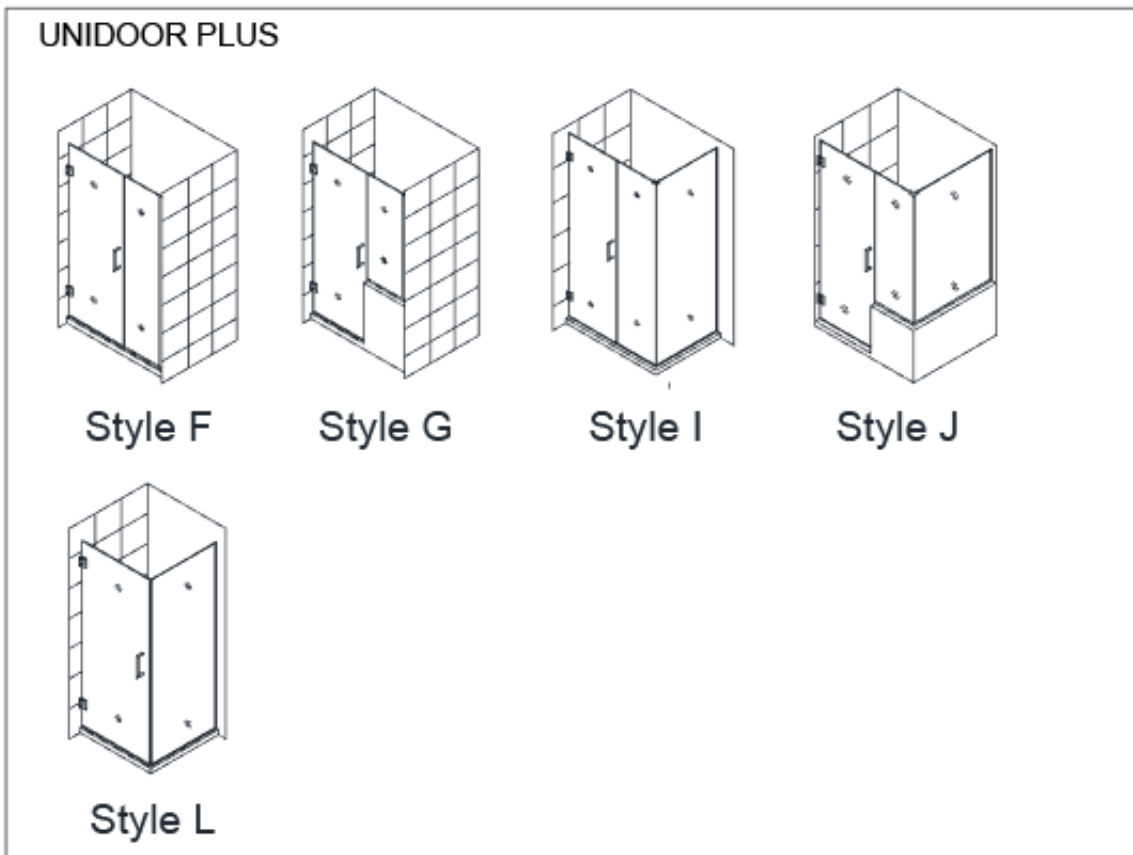
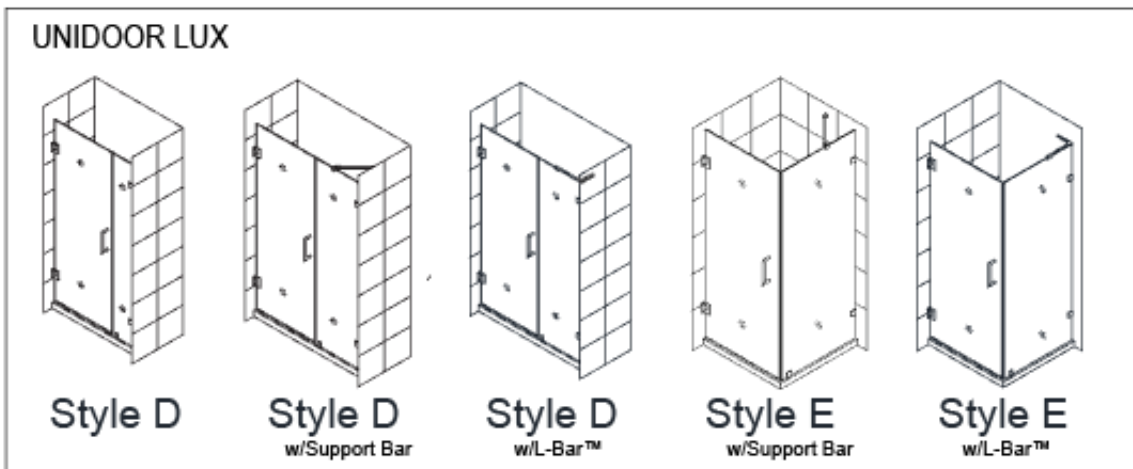
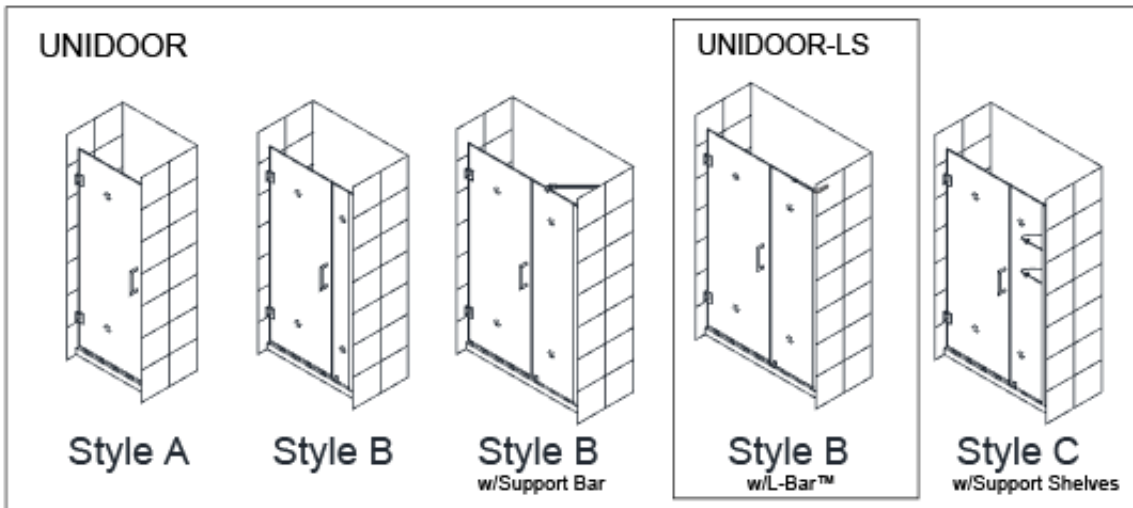
Install the surface with the ClearMax™ label towards the inside of the shower. Please note that depending on the model, the glass may be coated on either one or both surfaces.

For best results, squeegee the glass after each use and dry with a soft cloth.

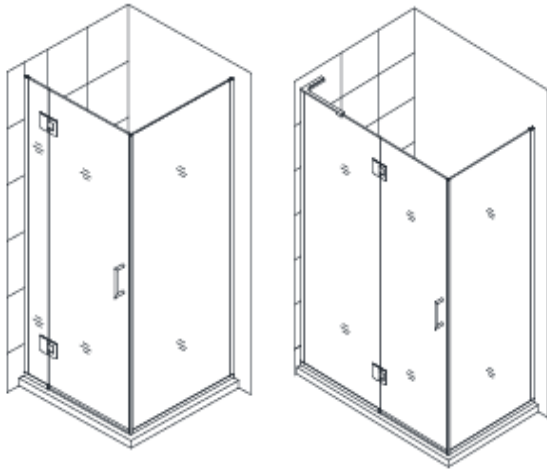
Table of Contents

Section Title	Page #
Unidoor Styles	4-7
Preparation	8
Tools	9
Required Reinforcement locations	10
Glass and Hinge hole details	11-12
Detailed Diagram of Shower Door Components and Parts List	13
Installation Instructions	14-21
Adjustable Hinge Details	17-18
Handle	19
Vinyl Seals	19-20
Product Maintenance	22

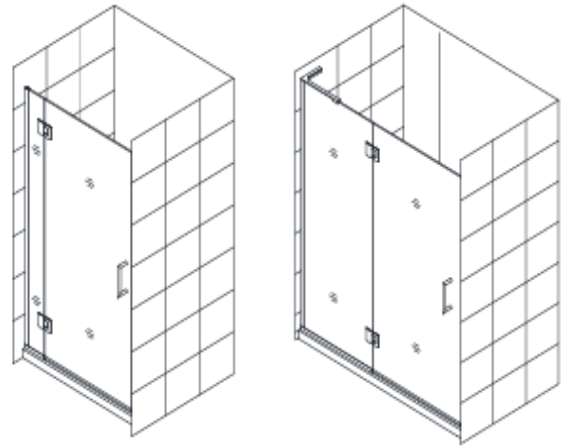
UNIDOOR STYLES- Models with Glass-to-Wall hinges



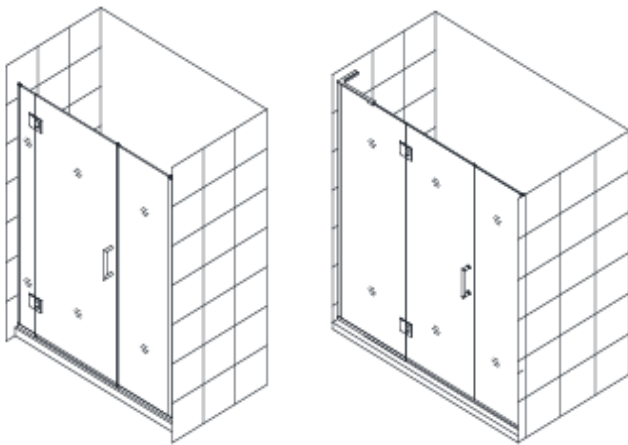
Models with Glass-to-Glass Hinge panels: For Glass-to-Glass Hinge Door models:
Use the installation manual that is packaged with the Hinge panel glass first.



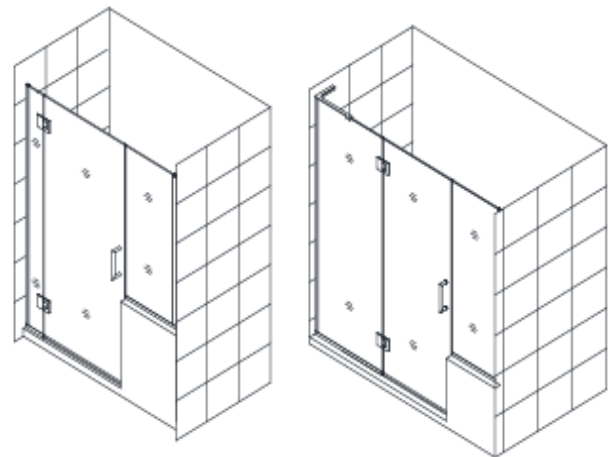
Style L1



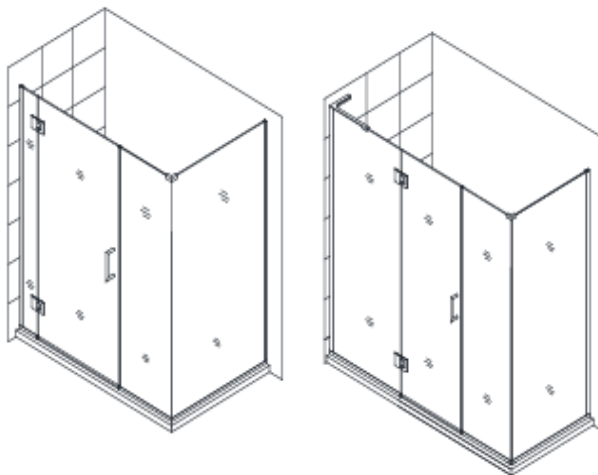
Style M



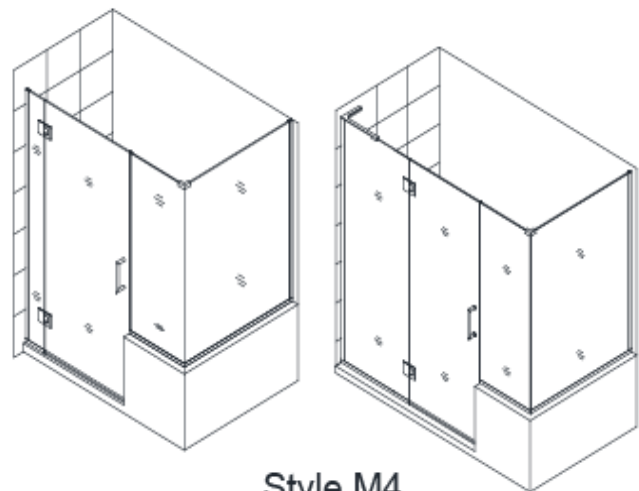
Style M1



Style M2



Style M3



Style M4

STYLE A**UNIDOOR** Single shower door 23" - 30"

Refer to detailed diagram on page 12 of this manual to begin the installation.

STYLE B ***UNIDOOR** Shower door 23" – 30" with 6" small or 12"-30" large stationary panel with a Support Bar**UNIDOOR-LS** Shower door 23" – 30" with 12"-30" large stationary panel with an L-Bar™**STYLE C *****UNIDOOR** Shower door with 12"-30" large stationary panel with Support shelves**STYLE D *****UNIDOOR LUX** Shower door 23"~30" with 6" small or 14"-30" large stationary panel with glass-to-wall brackets**STYLE E *****UNIDOOR LUX** Shower enclosure with 30" return stationary panel with glass-to-wall brackets**STYLE F *****UNIDOOR PLUS** Shower door 23"~30" with 6"-34" in-line stationary panel secured using u-channel**STYLE G *****UNIDOOR PLUS** Shower door 23"~30" with 6"-34" in-line half wall panel secured using u-channel**STYLE I *****UNIDOOR PLUS** Shower enclosure with 6"-34" in-line stationary panel and 30"-34" return panel secured using u-channel**STYLE J *****UNIDOOR PLUS** Shower enclosure with 12"-36" in-line half wall panel and 30"-34" return panel secured using u-channel**STYLE L *****UNIDOOR PLUS** Shower enclosure with 30"- 34" return stationary panel secured using u-channel**STYLE L1 *^****UNIDOOR X** Shower door 23"~30" with 6" or 24" hinge panel and with 30"- 34" full height return panel secured using u-channel**STYLE M *^****UNIDOOR X** Shower door 23"~30" with 6" or 24" hinge panel secured using u-channel**STYLE M1 *^****UNIDOOR X** Shower door 23"~30" with 6" or 24" hinge panel and with 6", 6-1/2", 14", 14-1/2", 22" or 22-1/2" full height inline panel secured using u-channel

STYLE M2 *^

UNIDOOR X Shower door 23"~30" with 6" or 24" hinge panel with 12", 18", 24" or 26" inline buttress panel secured using u-channel

STYLE M3 *^

UNIDOOR X Shower door 23"~30" with 6" or 24" hinge panel, with 6", 6-1/2", 14", 14-1/2", 22" or 22-1/2" full height inline panel and 30" - 34" full height return panel secured using u-channel

STYLE M4 *^

UNIDOOR X Shower door 23"~30" with 6" or 24" hinge panel, with 12", 18", 24" or 26" in-line buttress panel and 30"- 40" buttress return panel secured using u-channel

*** For the panel installation instructions, please refer to the separate manual included in the panel glass packaging.**

^ For Glass-to-Glass door installation, please refer to the separate manual included in the hinge panel glass packaging.

NOTE: The Unidoor series doors and enclosures are reversible for left or right-hand installation. This manual will show the right-hand installation. For a left-hand installation, simply begin on the opposite wall and reverse the orientation of the parts as necessary.

Preparation

1. Prior to installation, examine all boxes and packages for shipping damage and compare the piece count with your packing slip. After opening all boxes and packages read this introduction carefully. Check that all of the necessary parts are included in the package(s) by checking off the components on the "Detailed Diagram of Shower Door Components". If the unit has been damaged, has a finishing defect, or is missing parts, please contact our customer support department within **3 business days** of the delivery date. Please note that **DreamLine® will not replace any damaged products or missing parts free of charge after 3 business days or if the product has been installed.** Please contact DreamLine® if you have any questions and please provide an order number, job name or other proof of purchase to help identify the original order.
2. **Please note that you should consult your local building codes with questions about installation compliance standards. Building and plumbing codes may vary by location, and DreamLine® is not responsible for code compliance standards for your project and will not accept any returns.**
3. If this unit is going to be installed in a new construction, install all of the required plumbing and drainage before installing the shower. **Use a competent and licensed (if required by local code) plumber for all plumbing installation.**
4. Make sure that prior to beginning the installation, the surfaces are leveled and solid and will be able to support the total weight of the unit. Also make sure the walls are at right angles. Irregular installation surface level, radius corners or improper angle of side walls will result in serious problems for your installation. Please note that some adjustments and drilling will be necessary during the installation process.
5. Protect all primary surfaces of the product during installation. Never set glass down directly onto a hard surface unless instructed. Leave corner protectors in place until necessary to remove them. Always use a piece of wood or cardboard to protect the bottom edge and corners of the glass prior to and during installation to prevent damage.
6. **This unit must be installed upon a level finished threshold and against plumb finished walls.**
7. **This door is extremely heavy and the hinges on this door must be attached into studs or to preinstalled 2" x 6" wood reinforcement behind the wall. See pages 9, 10 & 11 for details.**
8. The **single** Unidoor installation does NOT have any adjustment for out-of-plumb or out-of-level conditions. Please verify that the walls are plumb and the threshold is level before proceeding with the installation.
9. **Professional installation is recommended** for this heavy glass frameless shower door.



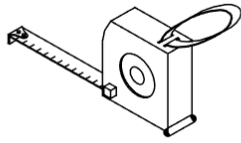
NOTE: DO NOT attach the handle to the door glass until instructed.

DO NOT use the handle to lift the glass during installation. This may result in damage to the glass and/or serious injury. Always use an assistant and/or a professional grade glass suction cup when handling heavy glass panels.

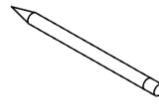
Tools Required



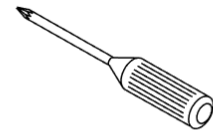
Level



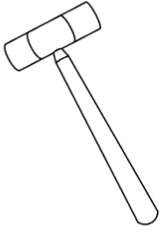
Tape Measure



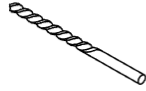
Pencil



Phillips Screwdriver



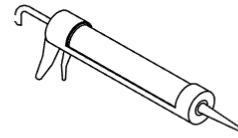
Hammer



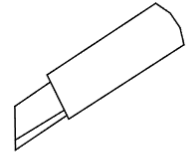
Drill bit
($\text{Ø}=1/4''$)



Power Drill



Caulk

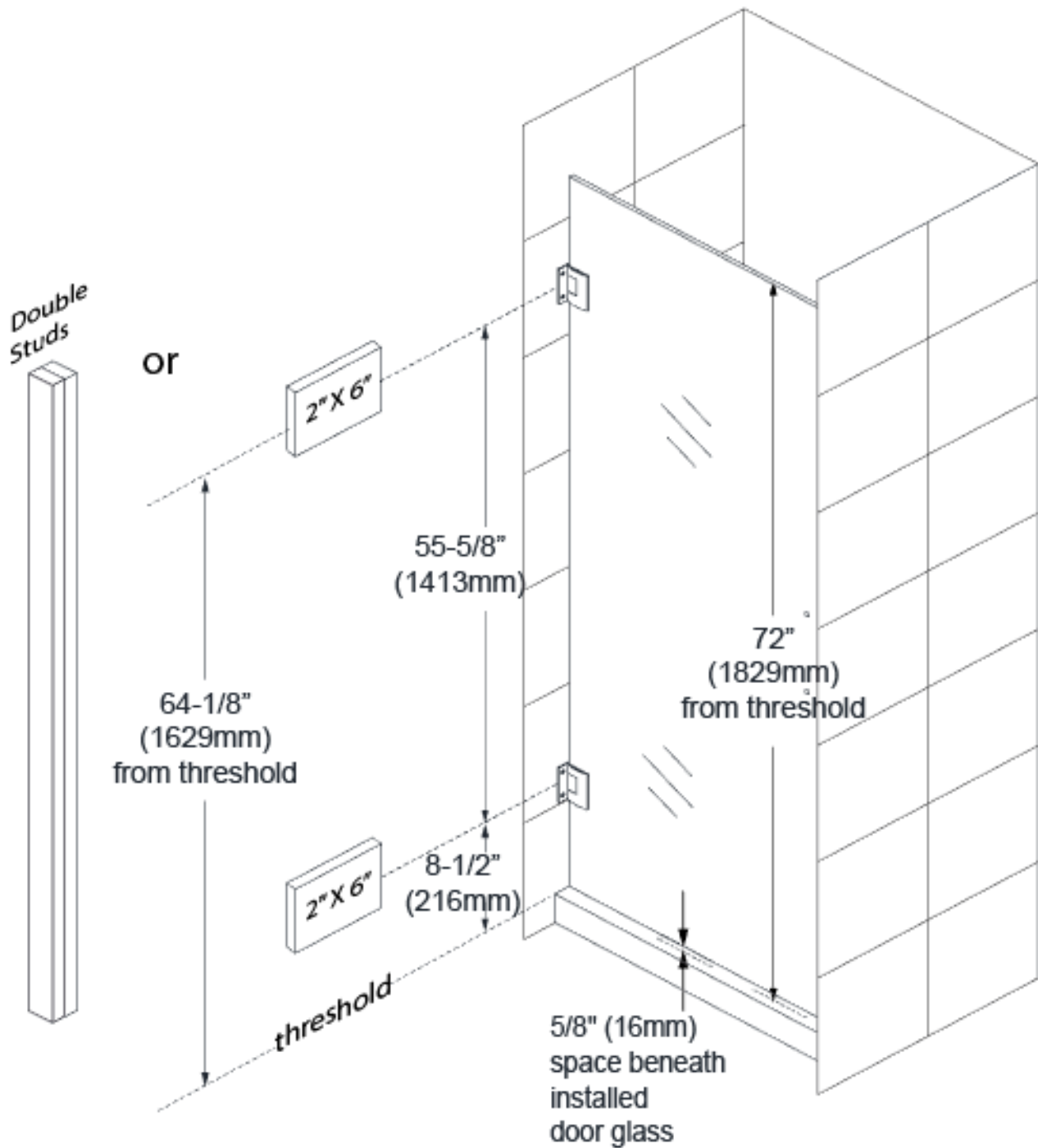


Razor Knife

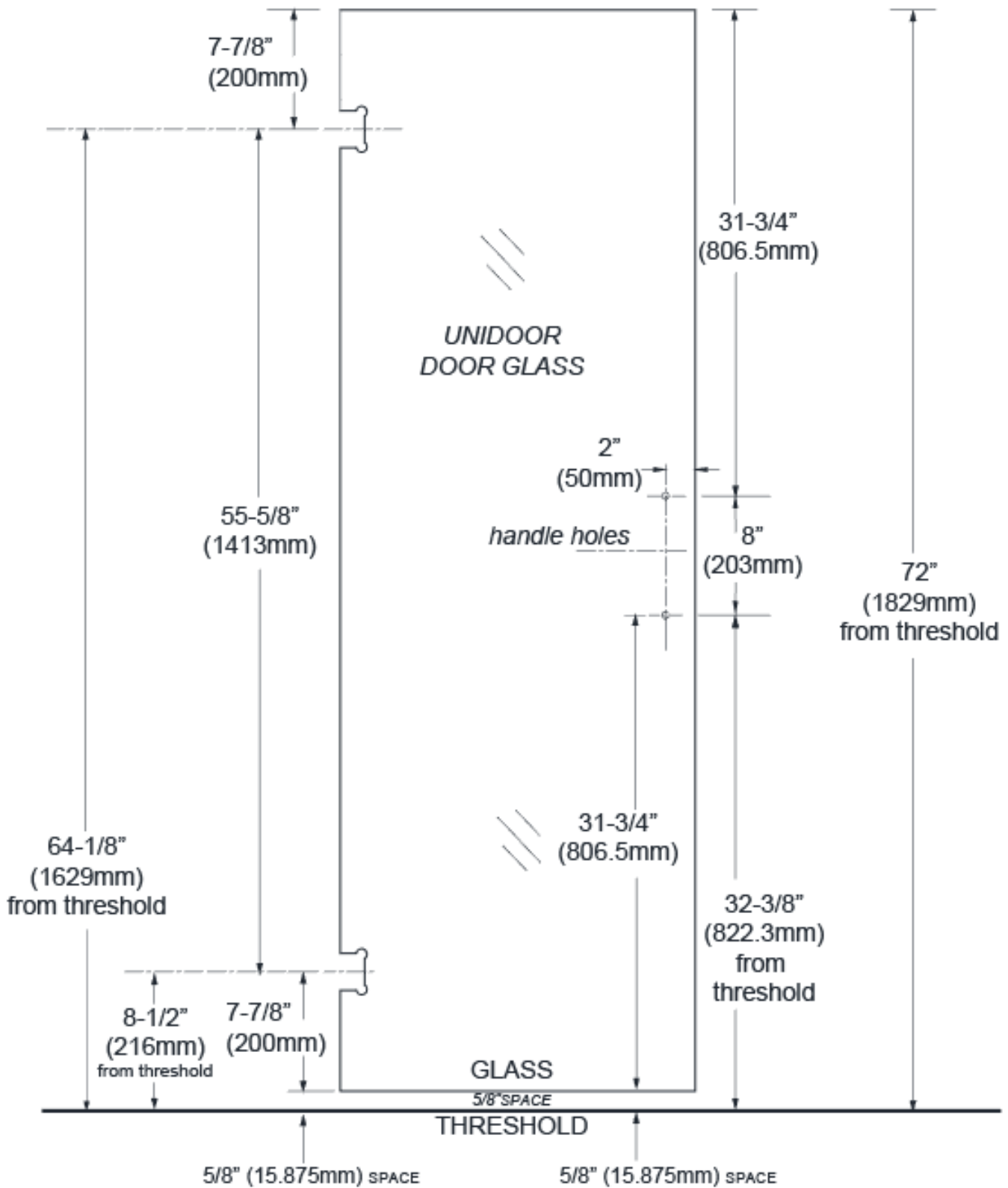


Professional-grade
Glass suction cup

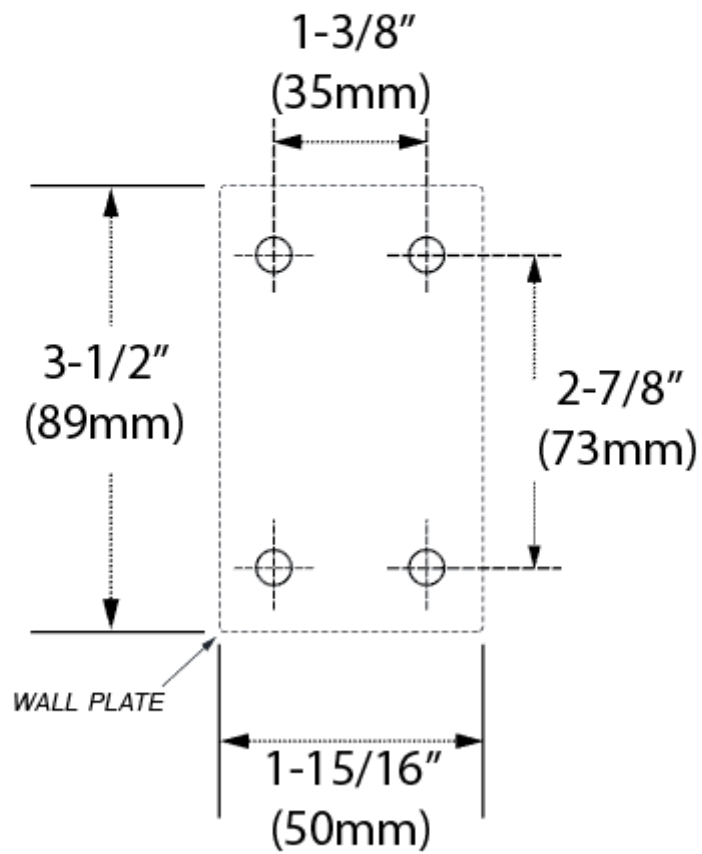
**INSTALL DOUBLE STUDS OR INSTALL 2"X6" WOOD BLOCKING BETWEEN THE STUDS
WHERE THE HINGES WILL ATTACH TO THE WALL**



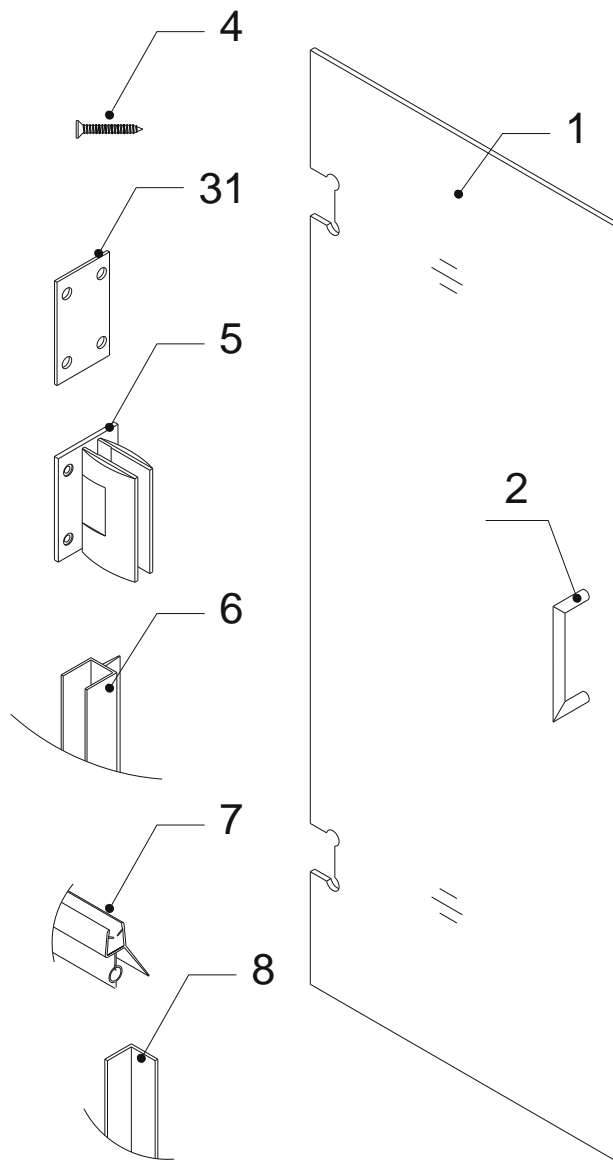
UNIDOOR GLASS-TO-WALL HINGE AND HANDLE LOCATION



UNIDOOR GLASS-TO-WALL HINGE - HOLE ARRAY



Detailed Diagram of Shower Door Components



The glass surface with the **ClearMax™** label must be installed to face inside of the shower

Packing List

Part#	Description	Qty	Part#	Description	Qty
01	Door glass	1pc	06	Side strip (hinge side)	1pc
02	Handle	1pc	07	Bottom anti-water strip (sweep)	1pc
04	Countersunk screw ST5×70	8pcs	08*	L-shaped strip (strike)	1pc
05	Hinge with Adjustable angle	2pcs	31	PVC hinge spacer	4pcs

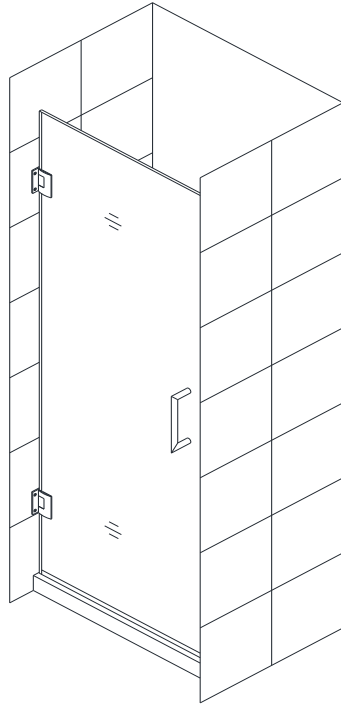
***Part #8 "L-shaped strip" used with single door installation only.**

NOTE: Unpack your unit carefully and inspect it. Lay out and identify all parts using the detailed diagram and packing list in this manual as a reference. Before discarding the carton, check for small hardware bags that may have fallen to the bottom of the box. If any parts are damaged or missing, please contact DreamLine® for replacement.

NOTE: Retain these installation instructions for future reference.

Single Shower Door Assembly and Installation

NOTE: The following shower door installation instructions should be used as a general guide and prerequisite to the installation of the UNIDOOR, UNIDOOR-LS, UNIDOOR LUX and UNIDOOR PLUS models. Before you begin the installation, please check your finished opening size. Specific size information can be found on DreamLine.com



ATTENTION:

This door is extremely heavy and the hinges on this door must be installed into studs or to preinstalled 2×6 wood reinforcement behind the wall.

NOTE: DO NOT attach the handle to the door glass until instructed.
DO NOT use the handle to lift the glass during installation. This may result in damage to the glass and/or serious injury. Always use an assistant or a professional grade glass suction cup when handling the door glass.

1. Attach the **Hinges (05)** to the **Door Glass (01)**. Use one hinge gasket per side. Attach the hinges centered in the notches and square with the edge of the door glass. Fully tighten the hinge bolts. (**Fig 1**)

Never set your glass down directly onto a tile or concrete floor.

Always use a piece of wood or cardboard and leave the corner pads and protective shims on the glass until it becomes necessary to remove them. This will protect the bottom edge and corners from damage which could lead to breakage.

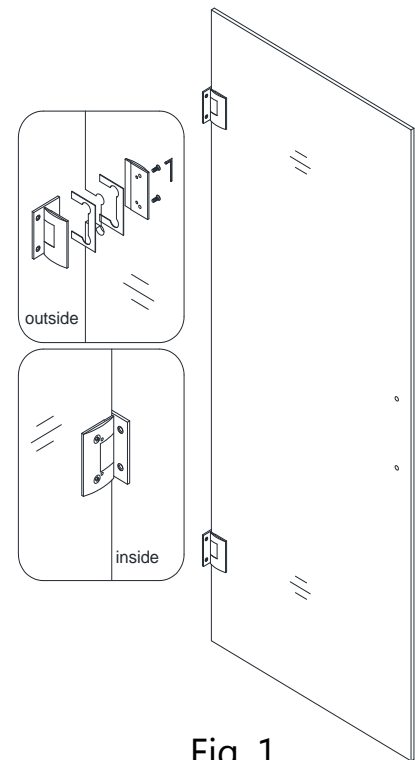


Fig. 1

ATTENTION:

For Styles E, I, J & L that have return panels:

Please check the model dimensions for proper placement of the Door Glass (01) so that the door glass will align correctly with the return panel glass.

2. The **Door Glass (01)** ships with four 5/8" shims attached to the top (2pcs) and bottom (2pcs). Determine the swing of your door and only remove the shims from the top of the door glass, leaving the bottom shims in place. Set the **Door Glass (01)** onto the threshold at the desired location and check for level. These 5/8" shims will leave the proper spacing at the bottom of the door glass and will ensure that the door height finishes at 72", but always confirm with a measurement. Carefully butt the door with the hinged side against the wall, adjust its position and check for plumb with a level. **(Fig 2)**

ATTENTION:

Check the door glass with a level to verify that it is plumb before marking the hinge positions.

TIP:

When installing the door along with panel glass, use the 72" Anti-Water strip (Inline) (19) that is packed with the panel glass as a height reference to be sure that the door height will match the panel glass at 72".

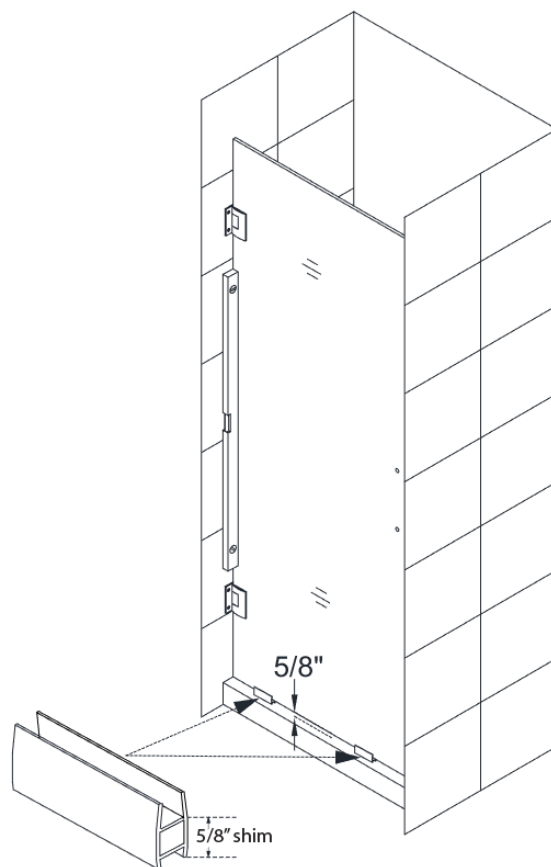


Fig. 2

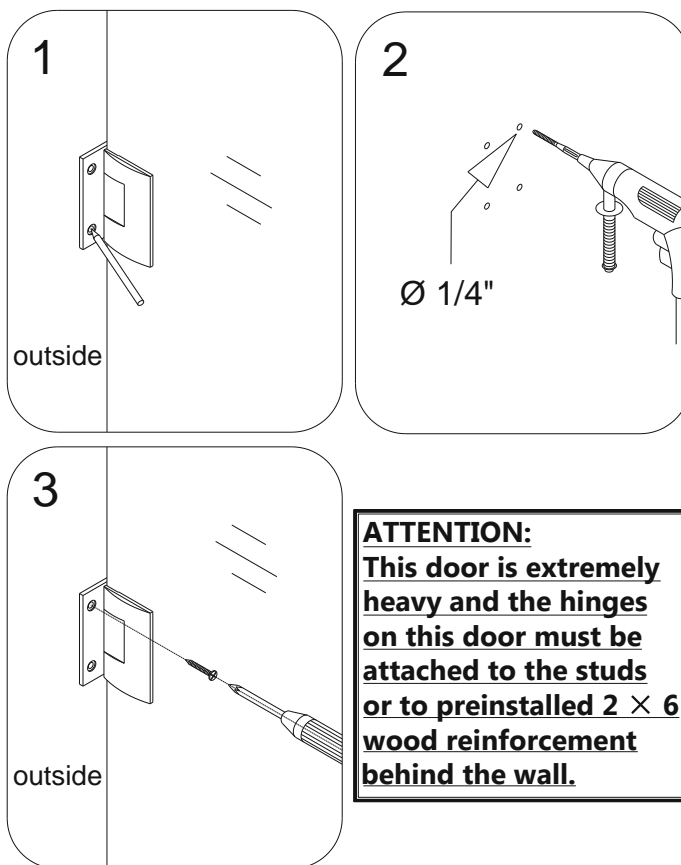
3. Hold the door in place and mark the drill holes for both **Hinges (05)** on the wall. Set the door aside and use a $\text{Ø } 1/4\text{''}$ drill bit to drill holes up to the stud. Drill 1/8" pilot holes into the stud if necessary.

IMPORTANT:

The included PVC hinge spacers (31) are provided to compensate for minor out-of-plumb wall conditions. Use only as necessary as their use could compromise the opening size of your shower. Please see Fig 4 for an installation example*.

4. Place the **Door Glass (01)** back onto the threshold along with the 5/8" spacers and attach both hinges to the wall with two **Countersunk screws ST5×70 (04)** on the hinge from outside of the shower. Then open the door and install the remaining screws to both wall plates from the inside.

(Fig 3 and Fig 4)



ATTENTION:
This door is extremely heavy and the hinges on this door must be attached to the studs or to preinstalled 2 × 6 wood reinforcement behind the wall.

Fig. 3

TIP: The PVC hinge spacer can also be used as a template to assist with marking the hinge mounting holes.

***Only use the PVC hinge spacer to correct for minor out-of-plumb wall conditions.**

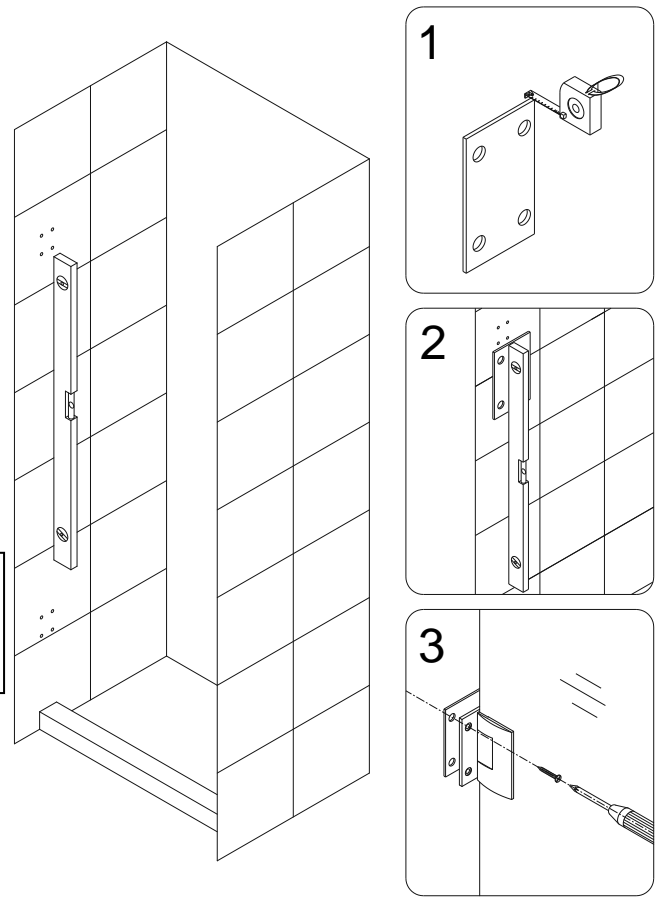


Fig. 4

ATTENTION:

As viewed from inside the shower, the hinge plate is very close to the drilled holes in the wall and might get scratched while installing the long screws. Be careful not to scratch the hinge surfaces during installation.

(OPTIONAL)

- Carefully remove the hinge plates from the **Hinges (05)** (Fig 5.1), remove the **Door Glass (01)** and carefully set it aside.

Install the remaining **Countersunk screws ST5 x 70 (04)** into the wall, place the **Door Glass (01)** (with the 5/8" bottom spacers still attached) back into position onto the **Hinges (05)** and re-assemble the **Hinges (05)**. Once the door glass is secure, remove the 5/8" spacers from beneath the **Door Glass (01)**.

(Fig 5)

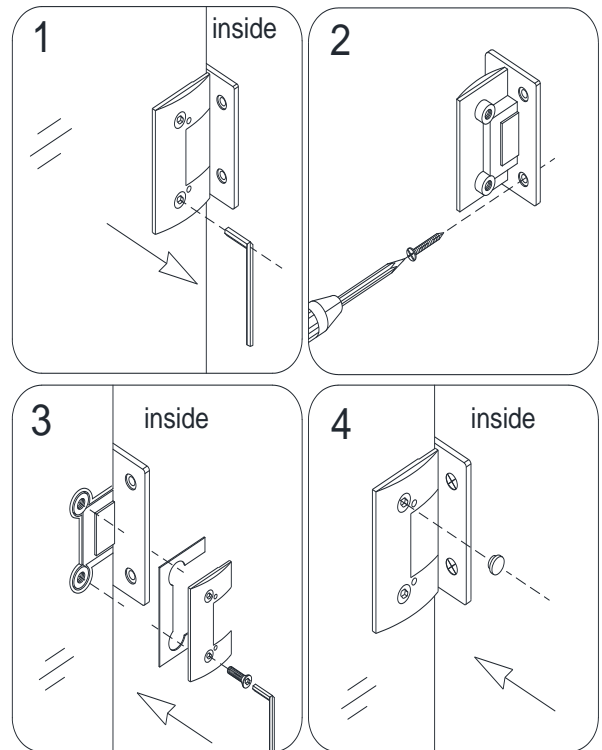
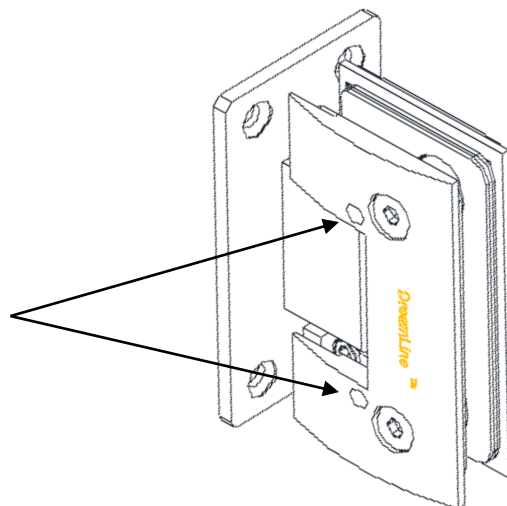


Fig. 5

Setting the Adjustable Hinges

The Adjustable hinges are pre-set to overclose to 85° and are adjustable up to 90° after the door is installed. Once the door glass is installed, simply loosen the Allen set screws and position the door to the desired closed position. While holding the door in the new closed position, retighten the Allen screws and your door will now self-center to the chosen closed position.



5a. Make sure the door glass is plumb and the edge of the hinge is installed flush with the glass edge. Center the hinge in the glass notch and tighten the faceplate screws (**Fig 5a**). Be careful not to scratch the finished surfaces of the hinge during installation.

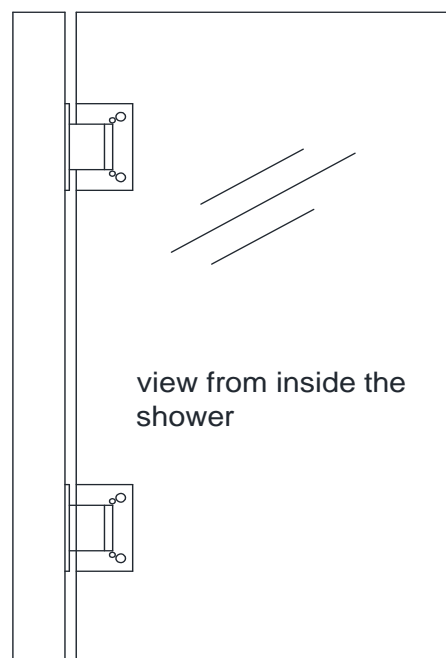


Fig 5a

5b. The hinges are factory set to 85 degrees.
You can change this angle by using the adjustment screws on the hinge plate.

(Fig 5b)

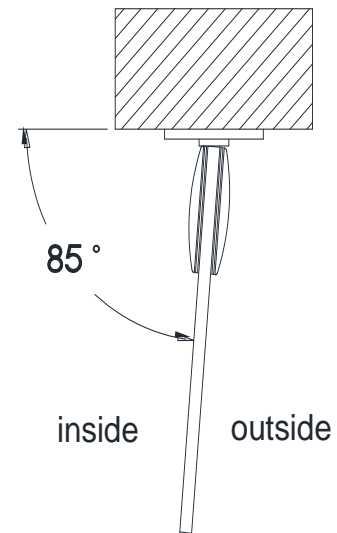


Fig 5b

5c. Use the supplied Allen Key to loosen the adjustment screws on the inside hinge plate, adjust the door to the desired angle (90 degrees for example) then retighten the adjustment screws **(Fig 5c)**. Be sure that you create a tight seal with the supplied strike vinyl when the door is in the closed position.

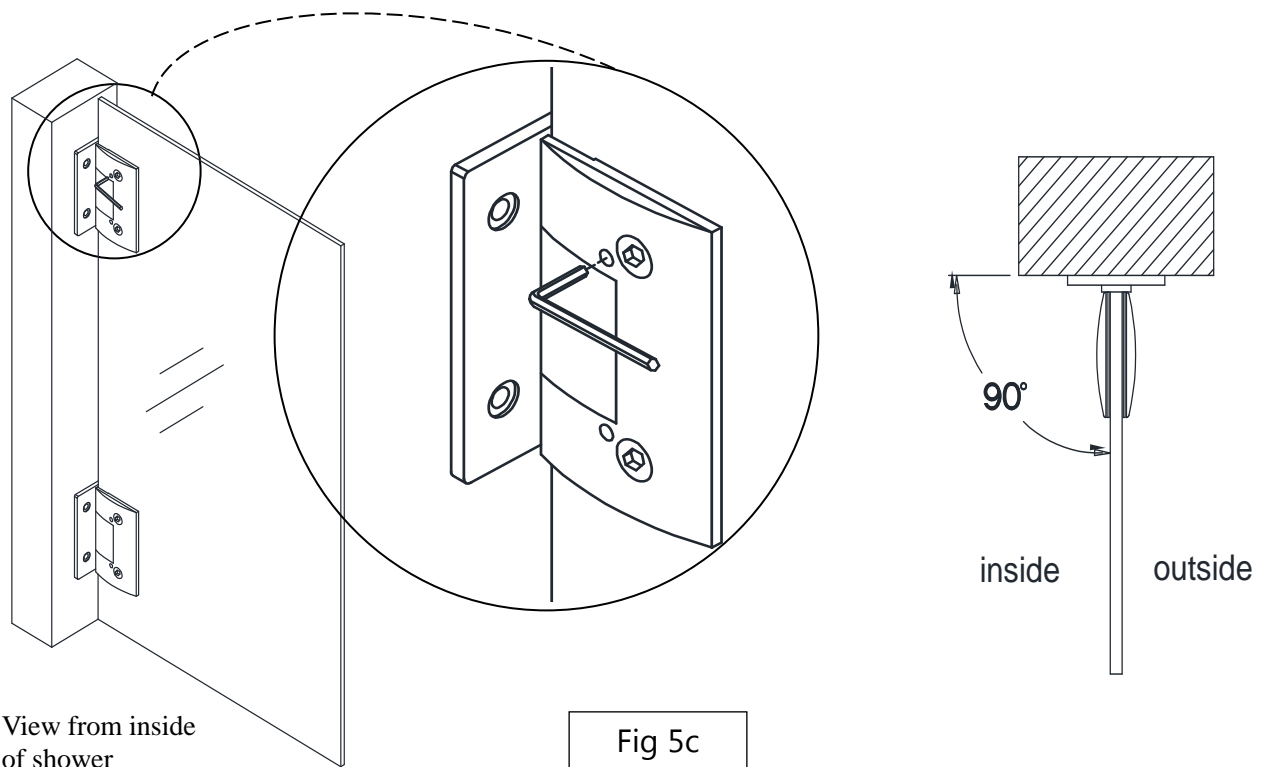


Fig 5c

6. Mount the **Handle (02)** to the **Door Glass (01)**.
(Fig 6)

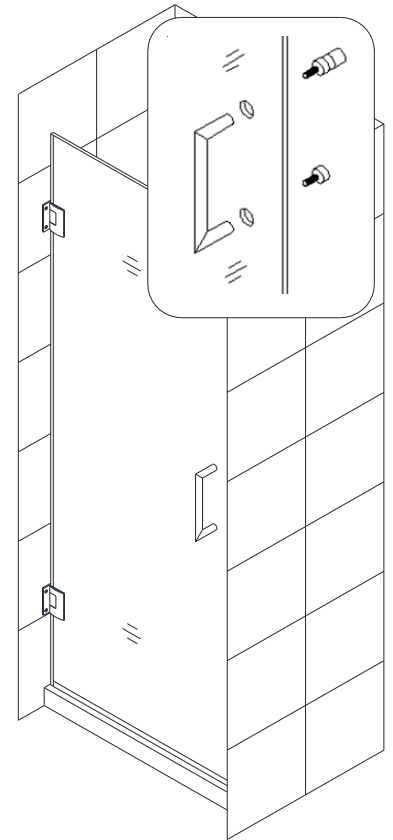


Fig. 6

7. Measure the bottom of the **Door Glass (01)** from end to end to determine the actual width of the **door**. Cut the **Bottom anti-water strip (07)** to the size of your measurement and notch approximately $3/8''$ off the inner side of the **Bottom anti-water strip as shown**. Press the **Bottom Anti-water strip (07)** tightly onto the bottom edge of the **Door Glass (01)**.

NOTICE:

Make sure the **Bottom anti-water strip** is flush to the vertical edge of the **Handle side** of the **Door Glass**.

(Fig 7)

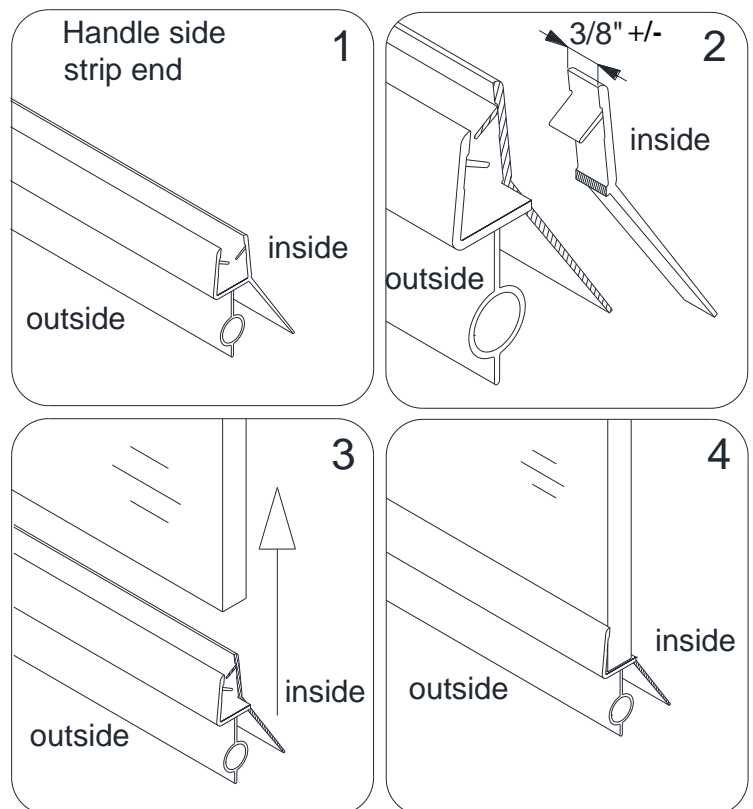


Fig. 7

8. Take three measurements:

- from the top edge of the **Door Glass (01)** to the upper body of the top **Hinge (05)** (+) $7/8''$
- from the lower body of the upper **Hinge** to the upper body of the bottom **Hinge** (+) $1-3/4''$
- from the lower body of the bottom **Hinge** to top of the installed **Bottom anti-water strip (07)** (+) $1-7/8''$

Cut the **Side strip (06)** according to the measurements.

Notch the cut strips to be able to slide them into the **Hinge** and around the sweep vinyl to cover the space to the wall.

Press the cut strips onto the vertical edge of the **Door Glass**.

(Fig 8)

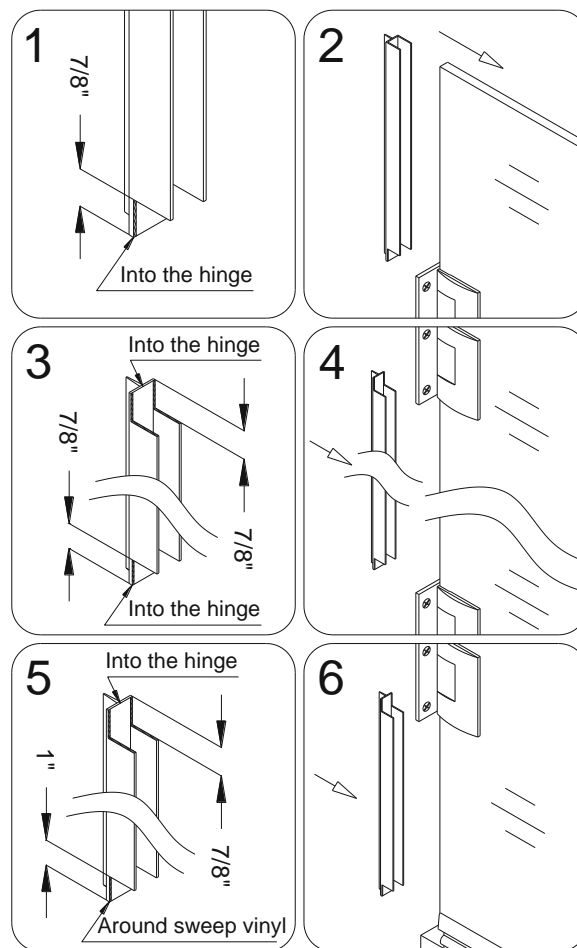


Fig. 8

ATTENTION; Prior to the next step, please be sure that the section of the wall where you need to attach the L-shaped strip (08) is clean, dry and free from soap, oil and any construction debris.

- 9.** Hold the door in the closed position, parallel to the threshold. Place the ***L-shaped strip (08)** onto the door edge. Make sure that the door glass makes good contact with the entire length of the **L-shaped strip (08)**, and mark its location on the wall.

Open the door. Remove the tape backing from the adhesive strip and firmly press the **L-shaped strip (08)** to the wall.

Allow 24 hours for the adhesive to fully setup before use.

(Fig 9 and Fig 10)

***NOTE:**

The above procedure for installing the L-shaped strip (08) is for the Unidoor Style A single shower door installation only. When installing another model with additional panel glass, please refer to the separate panel installation manual located in the glass packaging for model specific instructions. The vinyl seals that apply to the panel glass are packaged with the panel glass.



Fig. 9

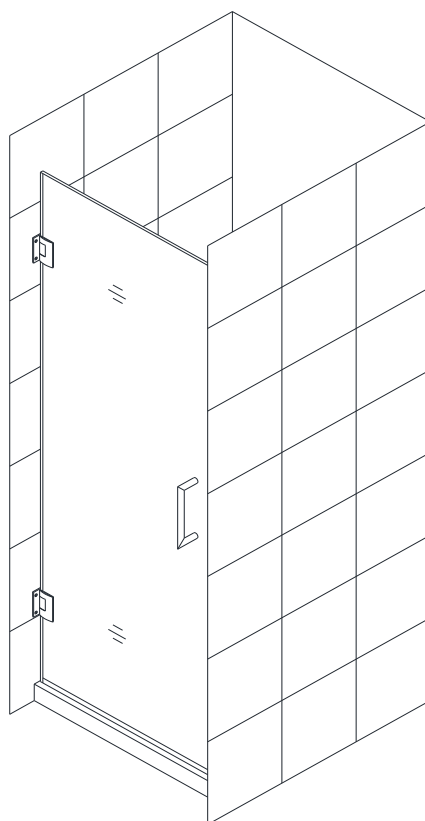


Fig. 10

**If the model includes additional panel glass,
refer to the manual that is packaged with
the panel glass to continue with the installation.**

Product Maintenance

BASES and BACKWALLS: To ensure long-lasting life for your acrylic back walls: wipe them off after each use with a soft cloth. To clean the acrylic back walls use non-abrasive sprays or cream based cleaners. Avoid the use of aerosol spray cleaners. Never use abrasive cleansers, metal brushes or scrapers that could scratch or dull the surface.

GLASS: To ensure long-lasting life for your glass shower products: wipe them off after each use with a soft cloth. Rinse and wipe off the glass using either a soft cloth or a squeegee to prevent soap buildup and water spots (Hard water can etch the surface of the glass over time if left to dry). To prevent scratching the surface: never use abrasive cleaners or cleaning products that contain scouring agents. Never use bristle brushes or abrasive sponges that may scratch the surface.

HARDWARE: To ensure a long-lasting finish: wipe off the metal parts after each use with a soft cloth. Do not use abrasive cleaners or cleaning products containing ammonia, bleach or acid. If accidentally used, rinse the surface as soon as possible to prevent damage to the finish (peeling or corrosion). After cleaning the polished finishes, rinse thoroughly and wipe dry with a soft cloth. Clean stainless steel surfaces at least once a week. When applying stainless steel cleaner or polish to stainless steel hardware, work with (not across) the grain. Never use an abrasive sponge or cloth, steel wool or wired brush as these may permanently scratch the surfaces.

NOTE: To maximize the life of your door, it is important to regularly inspect the glass and other hardware for misalignment, proper attachment, and/or damage. Contact DreamLine® with any questions or concerns.

DreamLine® shower doors and enclosures are designed not to leak when installed properly and the flow of water is not pointed directly at the wall-mounted hinges or vinyl seals.



TEL: [866-731-2244](tel:866-731-2244)

FAX: [866-857-3638](tel:866-857-3638)

DREAMLINE.COM

For more information on [DreamLine® Shower Doors](#) and [Enclosures](#) please visit DreamLine.com

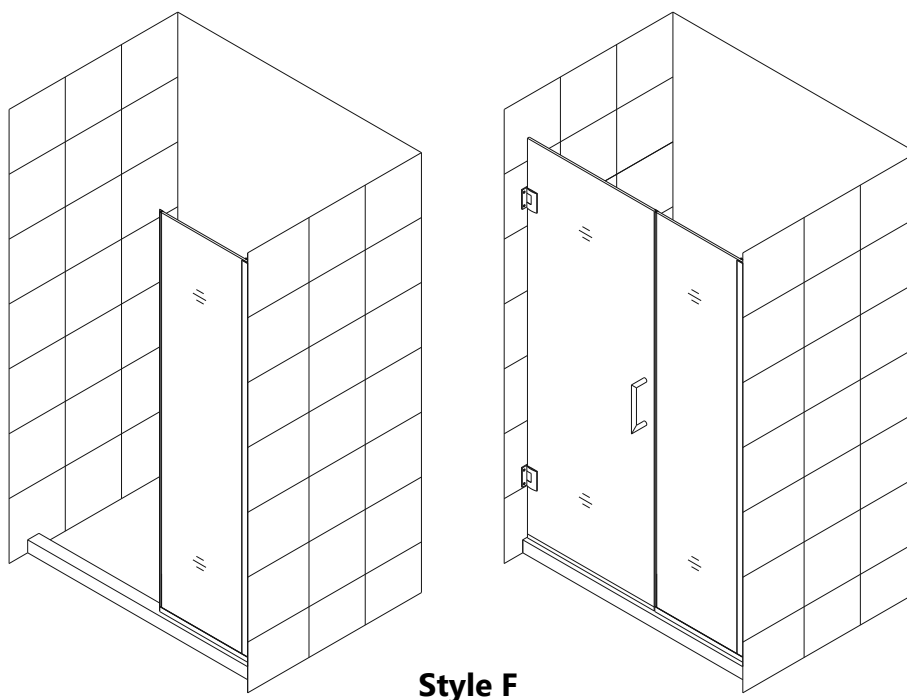


UNIDOOR PLUS (STYLE F)

SHOWER DOOR GLASS PANEL INSTALLATION INSTRUCTIONS

IMPORTANT

DreamLine® reserves the right to alter, modify or redesign products at any time without prior notice. For the latest up-to-date technical drawings, manuals, warranty information or additional details please refer to your model's web page on DreamLine.com



Right side panel installation shown

ATTENTION: This model is also available with the Half Frosted Band glass option. Please see specific installation instructions on page 2 when applicable.

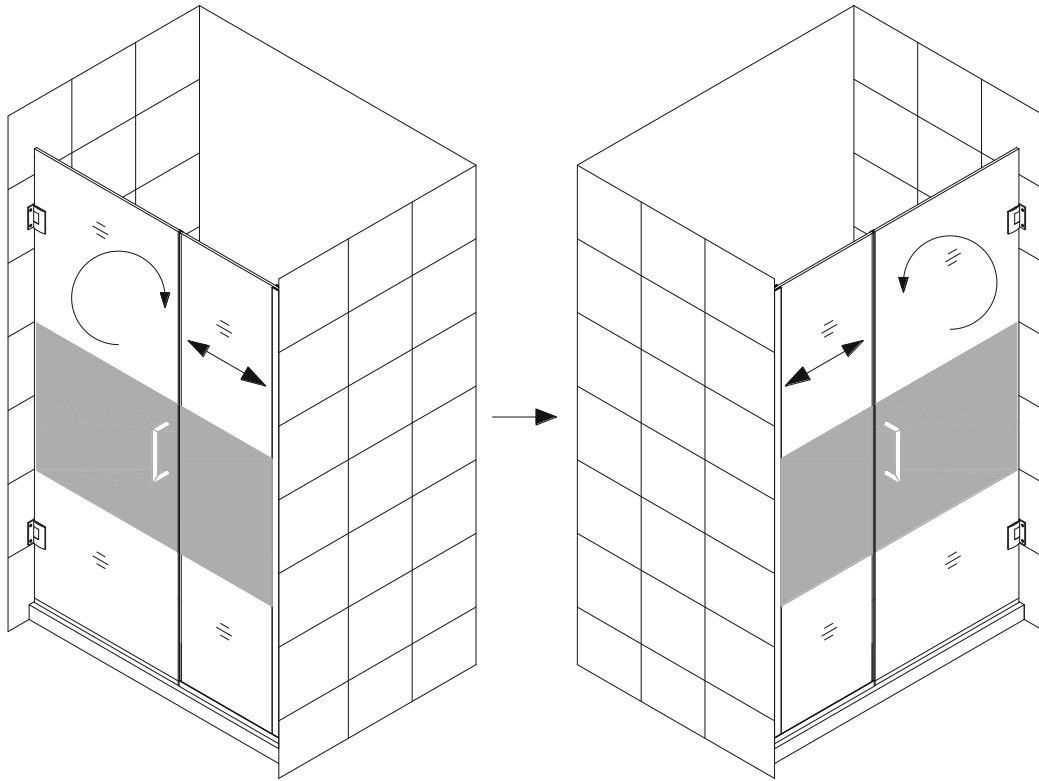
Please read these instructions carefully before installing. If you have any questions regarding installation, please contact our technical support specialists Monday through Friday 8AM – 7PM and Saturday 9AM-5PM EST at Phone: [1-866-731-2244](tel:1-866-731-2244), Fax: [1-866-857-3638](tel:1-866-857-3638) or e-mail our technical support group at Support@DreamLine.com

For more information about DreamLine® products please visit DreamLine.com

Style "F":**Half Frosted Band Glass Installation**

NOTE: This model features the half frosted glass option. Hinged Left installation shown. To install for hinged Right, flip the door and panel to the proper handing.

NOTE: The textured surface of both the stationary glass and door glass should face outside of the shower.



Hinged Left installation

Hinged Right installation

Model#s:

SHDR-242907210
 SHDR-242957210
 SHDR-243007210
 SHDR-243057210
 SHDR-243107210
 SHDR-243157210
 SHDR-243207210
 SHDR-243257210
 SHDR-243307210
 SHDR-243357210
 SHDR-243407210
 SHDR-243457210
 SHDR-243507210
 SHDR-243557210
 SHDR-243607210
 SHDR-243657210
 SHDR-243707210
 SHDR-243757210
 SHDR-243807210
 SHDR-243857210
 SHDR-243907210
 SHDR-243957210
 SHDR-244007210
 SHDR-244057210
 SHDR-244107210
 SHDR-244157210
 SHDR-244207210
 SHDR-244257210
 SHDR-244307210
 SHDR-244357210
 SHDR-244407210
 SHDR-244457210
 SHDR-242907210-HFR
 SHDR-242957210-HFR
 SHDR-243007210-HFR
 SHDR-243057210-HFR
 SHDR-243107210-HFR
 SHDR-243157210-HFR
 SHDR-243207210-HFR
 SHDR-243257210-HFR
 SHDR-243307210-HFR
 SHDR-243357210-HFR
 SHDR-243407210-HFR
 SHDR-243457210-HFR
 SHDR-243507210-HFR
 SHDR-243557210-HFR

Model#s:

SHDR-244507210
 SHDR-244557210
 SHDR-244607210
 SHDR-244657210
 SHDR-244707210
 SHDR-244757210
 SHDR-244807210
 SHDR-244857210
 SHDR-244907210
 SHDR-244957210
 SHDR-245007210
 SHDR-245057210
 SHDR-245107210
 SHDR-245157210
 SHDR-245207210
 SHDR-245257210
 SHDR-245307210
 SHDR-245357210
 SHDR-245407210
 SHDR-245457210
 SHDR-245507210
 SHDR-245557210
 SHDR-245607210
 SHDR-245657210
 SHDR-245707210
 SHDR-245757210
 SHDR-245807210
 SHDR-245857210
 SHDR-245907210
 SHDR-245957210
 SHDR-246007210
 SHDR-246057210
 SHDR-243707210-HFR
 SHDR-243757210-HFR
 SHDR-243807210-HFR
 SHDR-243857210-HFR
 SHDR-243907210-HFR
 SHDR-243957210-HFR
 SHDR-244007210-HFR
 SHDR-244057210-HFR
 SHDR-244107210-HFR
 SHDR-244157210-HFR
 SHDR-244207210-HFR
 SHDR-244257210-HFR
 SHDR-244307210-HFR
 SHDR-244357210-HFR

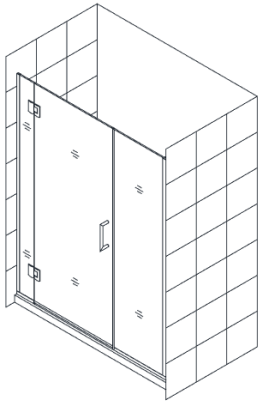
Model#s:

SHDR-244457210-HFR
 SHDR-244557210-HFR
 SHDR-244607210-HFR
 SHDR-244657210-HFR
 SHDR-244707210-HFR
 SHDR-244757210-HFR
 SHDR-244807210-HFR
 SHDR-244857210-HFR
 SHDR-244907210-HFR
 SHDR-244957210-HFR
 SHDR-245007210-HFR
 SHDR-245057210-HFR
 SHDR-245107210-HFR
 SHDR-245157210-HFR
 SHDR-245207210-HFR
 SHDR-245257210-HFR
 SHDR-245307210-HFR
 SHDR-245357210-HFR
 SHDR-245407210-HFR
 SHDR-245457210-HFR
 SHDR-245507210-HFR
 SHDR-245557210-HFR
 SHDR-245607210-HFR
 SHDR-245657210-HFR
 SHDR-245707210-HFR
 SHDR-245757210-HFR
 SHDR-245807210-HFR
 SHDR-245857210-HFR
 SHDR-245907210-HFR
 SHDR-245957210-HFR
 SHDR-246007210-HFR
 SHDR-246057210-HFR

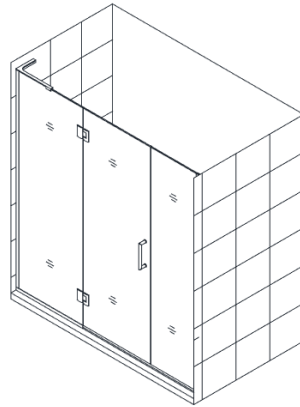
Finishes:

-01 = Chrome
 -04 = Brushed Nickel
 -06 = Oil Rubbed Bronze
 -09 = Satin Black
 HFR = Half Frosted Band

ADDITIONAL MODEL CONFIGURATIONS for UNIDOOR-X GLASS-TO-GLASS HINGE DOORS



Style M1⁶



Style M1²⁴

Model#s:

D12306572-##	D12530572	D3250672L
D1230672	D1253072	D3250672R
D12314572	D12606572	D32514572L
D1231472	D1260672	D32514572R
D12322572	D12614572	D3251472L
D1232272	D1261472	D3251472R
D12330572	D12622572	D32606572L
D1233072	D1262272	D32606572R
D12406572	D12630572	D3260672L
D1240672	D1263072	D3260672R
D12414572	D12706572	D32614572L
D1241472	D1270672	D32614572R
D12422572	D12714572	D3261472L
D1242272	D1271472	D3261472R
D12430572	D12722572	D32622572L
D1243072	D1272272	D32622572R
D12506572	D12730572	D3262272L
D1250672	D1273072	D3262272R
D12514572	D12806572	D32706572L
D1251472	D1280672	D32706572R
D12522572	D12814572	D3270672L
D1252272	D1281472	D3270672R
	D12822572	D32714572L
	D1282272	D32714572R
	D12830572	D3271472L
	D1283072	D3271472R
	D12906572	D32806572L
	D1290672	D32806572R
	D12914572	D3280672L
	D1291472	D3280672R
	D12922572	D32814572L
	D1292272	D32814572R
	D12930572	D3281472L
	D1293072	D3281472R
	D13006572	D32906572L
	D1300672	D32906572R
	D13014572	D3290672L
	D1301472	D3290672R
	D13022572	D32914572L
	D1302272	D32914572R
	D13030572	D3291472L
	D1303072	D3291472R
	D32306572L	D33006572L
	D32306572R	D33006572R
	D3230672L	D3300672L
	D3230672R	D3300672R
	D32314572L	D33014572L
	D32314572R	D33014572R
	D3231472L	D3301472L
	D3231472R	D3301472R
	D32406572L	
	D32406572R	
	D3240672L	
	D3240672R	
	D32414572L	
	D32414572R	
	D3241472L	
	D3241472R	
	D32506572L	
	D32506572R	

Finishes:

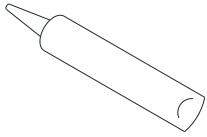
- 01 = Chrome
- 04 = Brushed Nickel
- 06 = Oil Rubbed Bronze
- 09 = Satin Black

Preparation

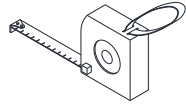
1. Prior to installation, examine all boxes and packages for shipping damage and compare the piece count with your packing slip. After opening all boxes and packages read this introduction carefully. Check that all of the needed parts are included in the package by checking off the components on the "Detailed Diagram of Shower Door Components". If the unit has been damaged, has a finishing defect, or has missing parts, please contact our customer support department within **3 business days** of the delivery date. Please note that **DreamLine® will not replace any damaged products or missing parts free of charge after 3 business days or if the product has been installed.** Feel free to contact DreamLine® if you have any questions, and please provide an order number, job name or other proof of purchase to help us identify your original order.
2. **Please note that you should consult your local building codes with questions on installation compliance standards. Building and plumbing codes may vary by location, and DreamLine® is not responsible for code compliance standards for your project and will not accept any returns.**
3. If this unit is going to be installed in new construction, please install all of the required plumbing and drainage before installing the shower. **Use a competent and licensed (if required by local code) plumber for all plumbing installation.**
4. Prior to the installation, please ensure that the installation surface is level and solid and will be able to support the total weight of the unit. Also make sure that the walls are plumb. Depending on the type of unit you are installing, some adjustments in leveling may be possible. However, irregular installation, surface level or out of square conditions can result in serious problems for your installation. Please note that some adjustments and drilling may be necessary. Please protect all primary surfaces of the product during installation. **Never set your glass down directly onto a tile floor.** Always use a piece of wood or cardboard to protect the bottom edge and corners of the glass.
5. **Note: The installation of this unit requires that you drill down into the threshold.**
6. **This model requires a minimum 5/8" of flat threshold space for installation.**
7. **This model has 1/2" of adjustment within the u-channel on the stationary panel side for out-of-plumb wall conditions and overall width within the model size. Confirm the finished opening conditions before proceeding with the installation.**
8. **Professional installation recommended.**

NOTE: This model is reversible for left or right hand installation. This manual will show the right side panel installation. For a left side panel installation, simply begin on the opposite wall and reverse the orientation of the parts as necessary.

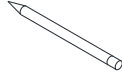
Tools Required



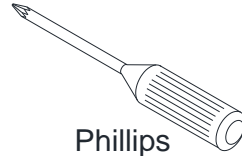
Caulk



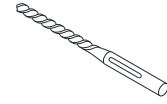
Tape Measure



Pencil



Phillips Screwdriver



Drill bit (Ø=5/16")



Drill bit (Ø=1/8")



Level



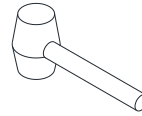
Caulk Gun



Electric Drill



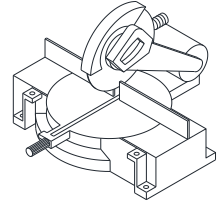
Hammer



Mallet

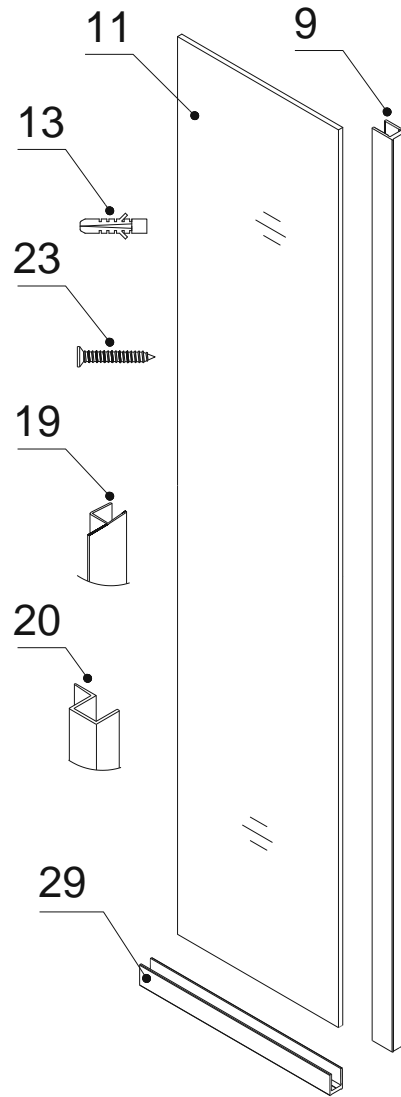


Wood



Miter saw

Detailed Diagram of Glass Panel Components



The glass surface with the **ClearMax™** label must be installed to face inside of the shower

Packing List

09	U-channel 1 (76", wall profile)	1pc	20	Anti-Water strip (enclosure) *	1pc
11	Stationary glass	1pc	23	Countersunk screw ST4.2x40	14pcs
13	Ø5/16" Wall anchor	14pcs	29	U-channel 2 (44", bottom profile)	1pc
19	Anti-Water strip (inline panel)	1pc			

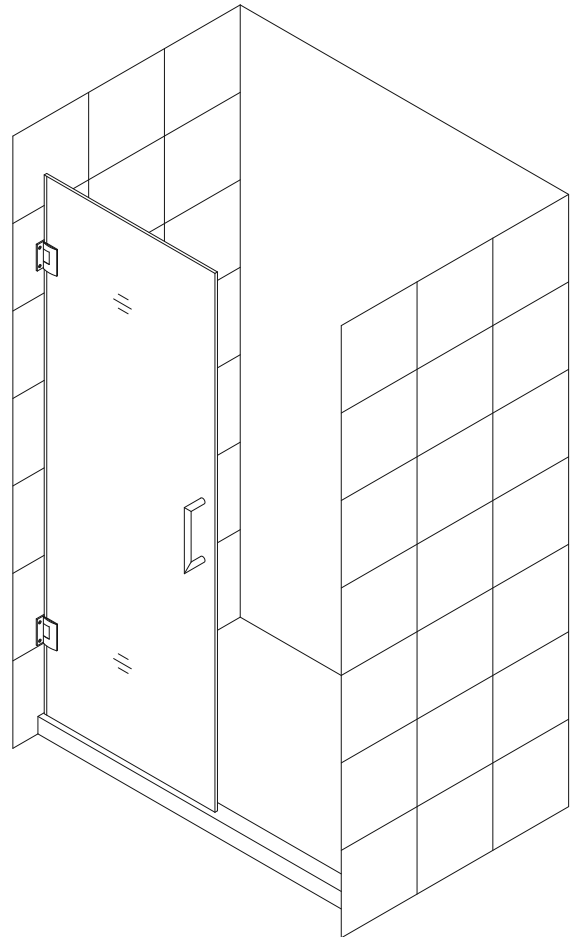
NOTE: Unpack your unit carefully and inspect it. Lay it out and identify all parts using the detailed diagram and packing list in your manual as a reference. Before discarding the carton, check for small hardware bags that may have fallen to the bottom of the box. If any parts are damaged or missing, please contact DreamLine® for replacement. The shipping boxes may contain extra parts not used in your model configuration.

NOTE: Retain these installation instructions for future reference.

*** ATTENTION: The Anti-Water strip (enclosure) (part #20) is used for 30" - 34" stationary return panel installation (STYLE L) only.**

Style "F": 6"-34" In-Line Stationary Panel Installation

NOTE: The Unidoor shower door needs to be installed prior to proceeding with the following Stationary Glass installation instructions. Please see the Single Shower Door installation manual in the door packaging (or the Style M Glass-to-Glass hinge door installation manual included with the hinge panel glass) for complete shower door installation instructions. Before you begin the installation, please recheck your shower opening size. Specific size information can be found on our website at DreamLine.com



NOTE: The Unidoor hinge is factory set to over-close 8°. The following procedure is recommended to ensure proper alignment of the panel glass and door.

1. Align and hold the **Door** so that it is perpendicular to the wall and parallel to the threshold. Measure across the bottom span of the **Door** and threshold on the outside of the shower and determine an equal value. Mark a line on the threshold base on the handle side to assist with aligning the inline panel glass.

See Fig. 1 for details.

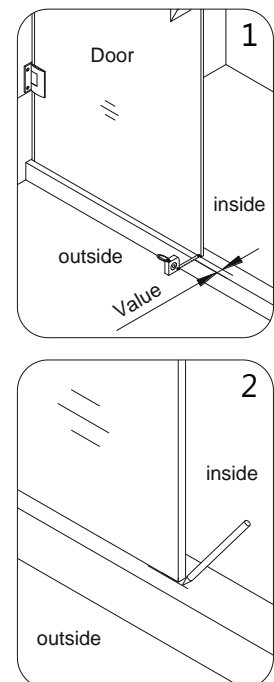


Fig. 1

NOTE: Use parts from “Detailed Diagram of Glass Panel Components” for the Stationary Glass assembly and installation.

2. Measure the actual width of your stationary glass panel.

NOTE: You will be doing straight cuts for this stationary panel installation.

***It may be necessary to remove any burrs from the cut end of the U-channels with a metal file before placing the U-channel onto the glass.**

Use a miter saw to rough cut the **U-channel 2 (44", bottom profile) (29)** to the actual width of the glass (+) 1".

See Fig. 2 & 3 for details.

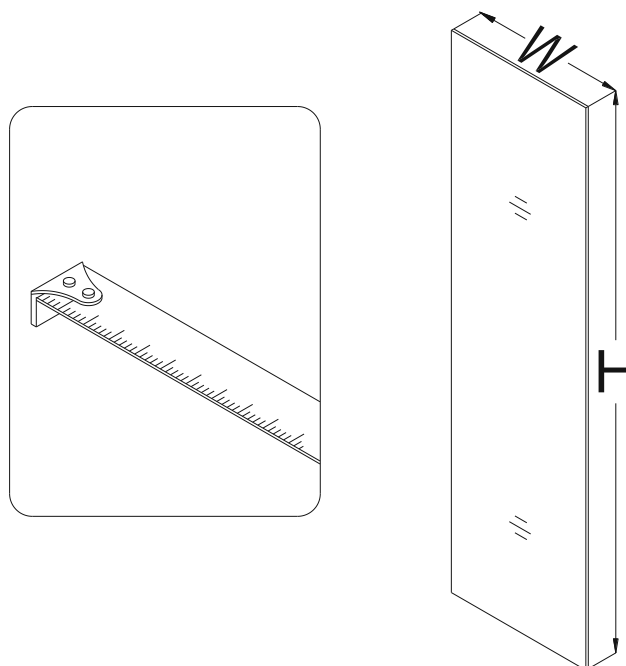


Fig. 2

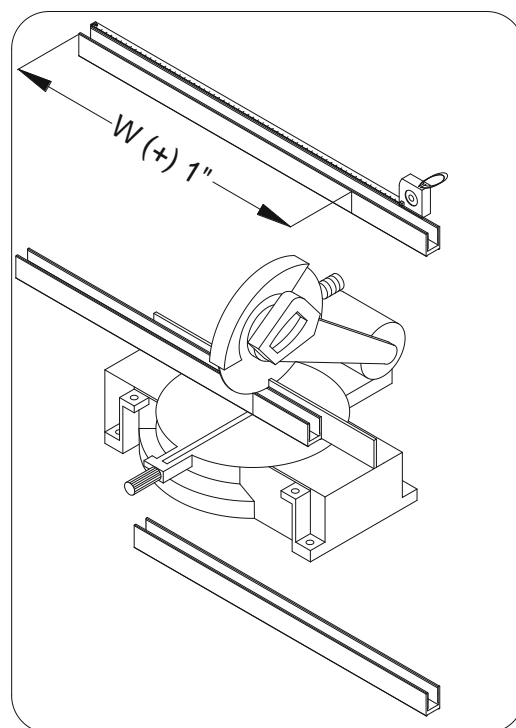


Fig. 3

3. Slip the cut **U-channel 2 (44", bottom profile) (29)** and uncut **U-channel 1 (76", wall profile) (09)** onto the **Stationary glass (11)** in the shown locations. With the door open place the **Stationary glass** on threshold opposite of door. Adjust the **Stationary glass** and **U-channel 1 (wall profile)** against the wall to compensate for any out of plumb conditions ensuring that the **Stationary glass** is level vertically and **U-channel 1** is flush with the wall. Mark the **U-channel 2 (bottom profile)** end opposite of the wall at the exposed vertical glass edge. Remove the **U-channel 2 (bottom profile)**. Leave the **U-channel 1 (wall profile)** on the **Stationary glass**. Set the **Stationary glass** aside. Cut the **U-channel 2 (bottom profile)** at the mark. Slip the **U-channel 2 (bottom profile)** back onto the **Stationary glass**.

See Fig. 4 for details.

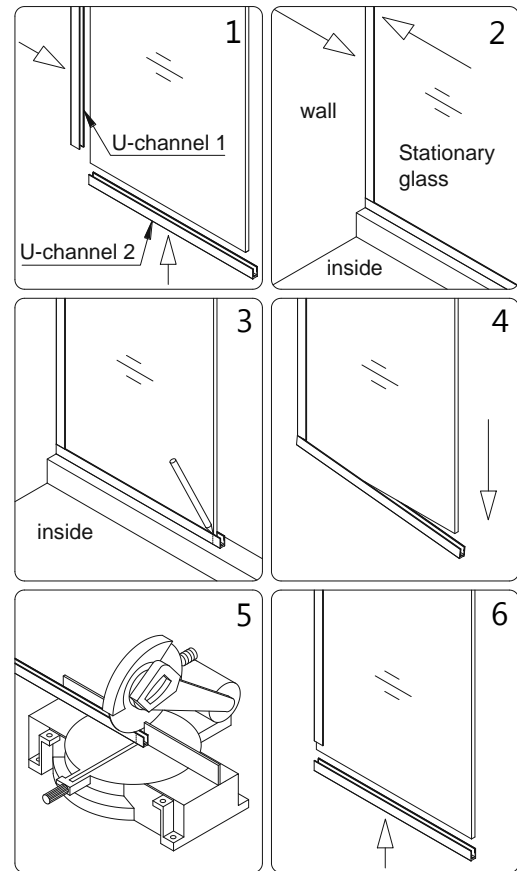


Fig. 4

4. Press the **Anti-Water strip (inline panel) (19)** on the vertical edge of the **Stationary glass (11)**. Align the **Stationary glass** with the threshold **Door** mark and then close the **Door**. If needed adjust the position of the **Stationary glass** so that the **Anti-water strip** makes tight contact to the **Glass Door** from top to bottom.

NOTE: The top of the Stationary glass must be leveled with the Glass door.

Outline the position of the **Stationary glass** along the inside edge of both **U-channels** on the wall and threshold base.

Mark the **U-channel 1 (wall profile)** at the top horizontal glass edge.

See Fig. 5 for details.

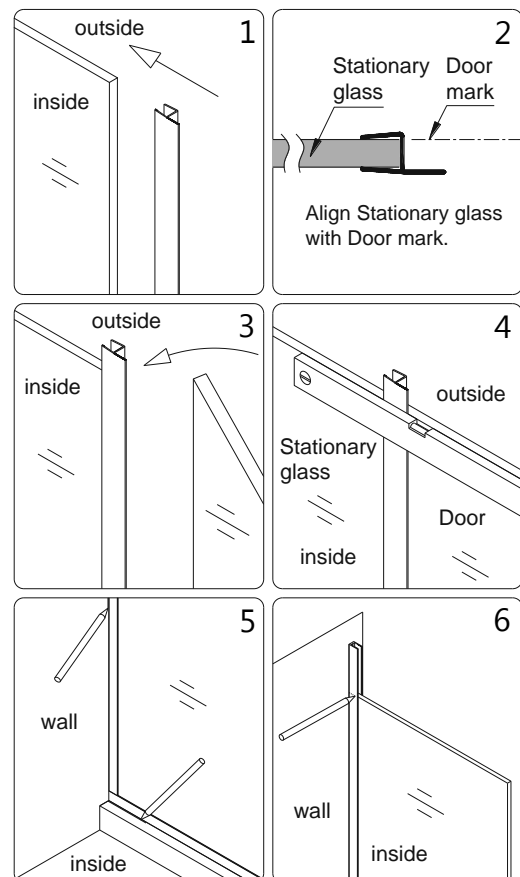


Fig. 5

5. Remove the **U-channel 1 (76", wall profile) (09)**, **U-channel 2 (44", bottom profile) (29)** and **Anti-Water strip (inline panel) (19)** from the **Stationary glass (11)** and set the **Stationary glass** aside.

Place the **U-Channel 2 (bottom profile) (29)** onto the threshold base in line with the inside threshold mark.

Mark the drill holes on the threshold through the predrilled holes in the **U-Channel 2** and drill the holes using **Ø1/8" drill bit**.

Apply waterproof silicone along the bottom surface and around the holes of the **U-Channel 2** and fasten it to the base with the **Countersunk screws ST4.2×40 (23)**.

NOTE: The surface needs to be clean and free of debris before applying silicone.

See Fig. 6 & 7 for details.

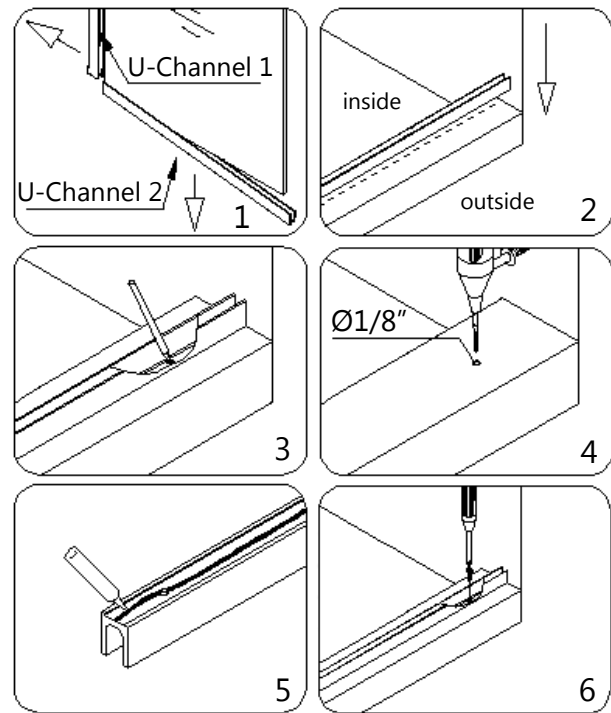


Fig. 6

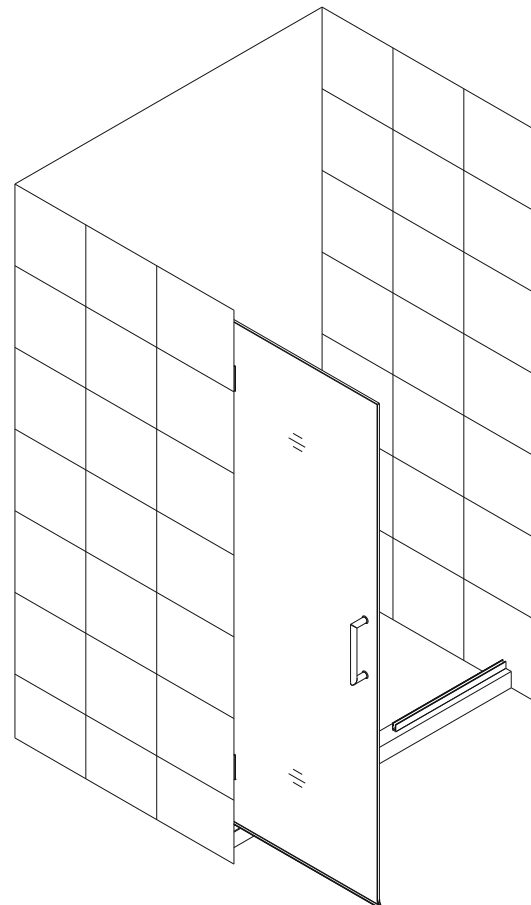


Fig. 7

6. Cut the **U-channel 1 (76", wall profile) (09)** at the top mark that was made in step #4.

Place the **U-Channel 1 (wall profile) (09)** on the **U-Channel 2 (44", bottom profile) (29)** and align vertically with wall mark.

Mark the drill holes on the wall through the predrilled holes in the **U-Channel 1**.

Now drill holes in the wall using **Ø5/16 drill bit** and insert the **Ø5/16" Wall anchors (13)**.

See Fig. 8 for details.

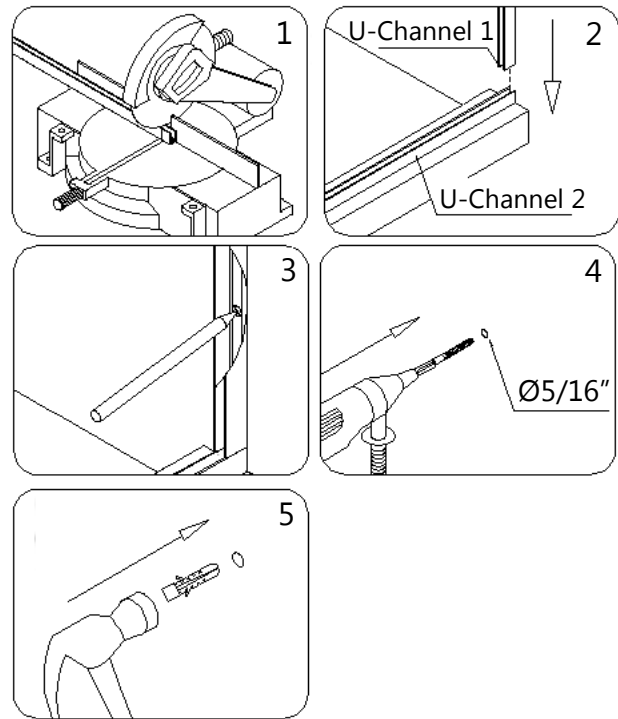


Fig. 8

7. Apply waterproof silicone along the bottom surface and around the holes of the **U-Channel 1 (76", wall profile) (09)**.

Fasten the **U-Channel 1** to the wall with the **Countersunk screw ST4.2x40 (23)**.

Apply Waterproof silicone into the groove of both **U-Channels**.

NOTE: The surface needs to be clean and free of debris before applying silicone

See Fig. 9 & 10 for details

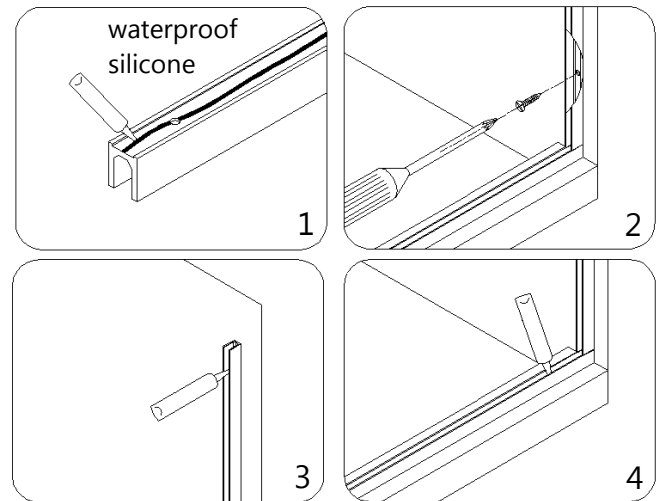


Fig. 9

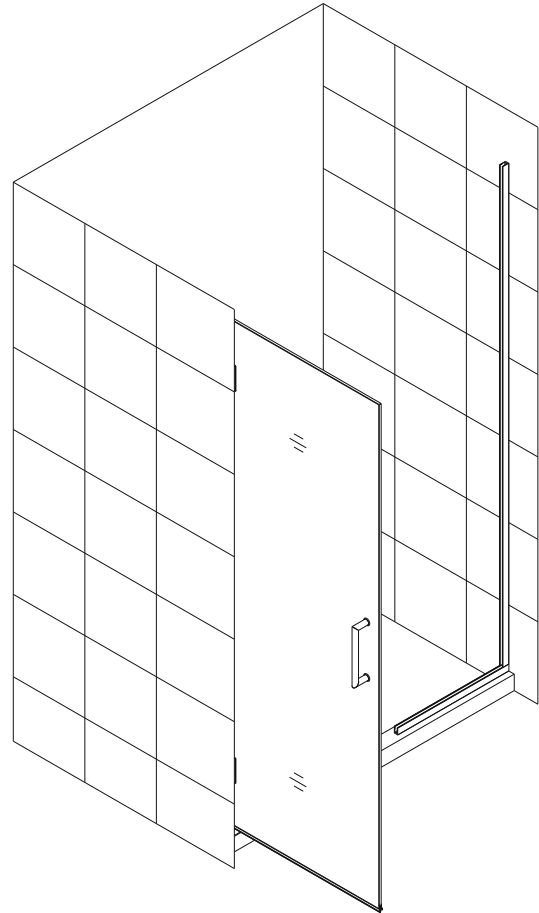


Fig. 10

8. Slide the **Stationary glass (11)** into the groove of both **U-Channels**.

NOTE:

If you have difficulty sliding the **Stationary glass** into the **U-Channels**, you can slightly tap on the **Stationary glass** with a rubber mallet and a piece of wood.

Apply a bead of silicone on both open ends of the **U-Channels**, and its connection.

See fig. 11 for details.

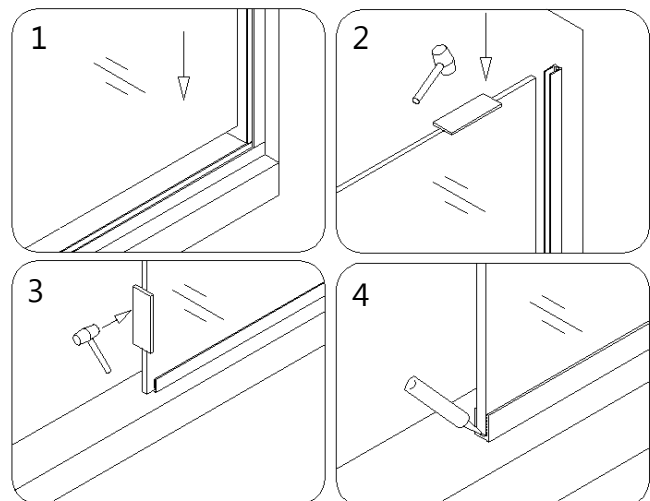


Fig. 11

9. Apply a good quality mildew-resistant waterproof silicone along the connection of both **U-Channels** to the wall and threshold on the inside of shower. Allow 24 hours for the silicone to fully cure before using the shower.

See Fig. 12 for details.

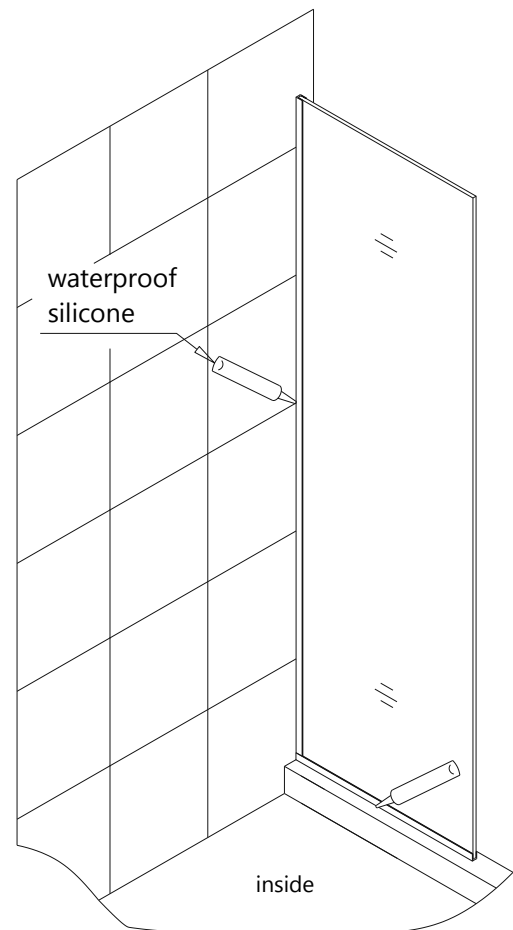


Fig. 12

10. Notch the **Anti-Water strip (inline panel) (19)** 1" at the base to fit around bottom **U-channel**. Press the **Anti-Water strip (Door) (19)** onto the vertical edge of the **Stationary glass (11)**.

See Fig. 13 for details.

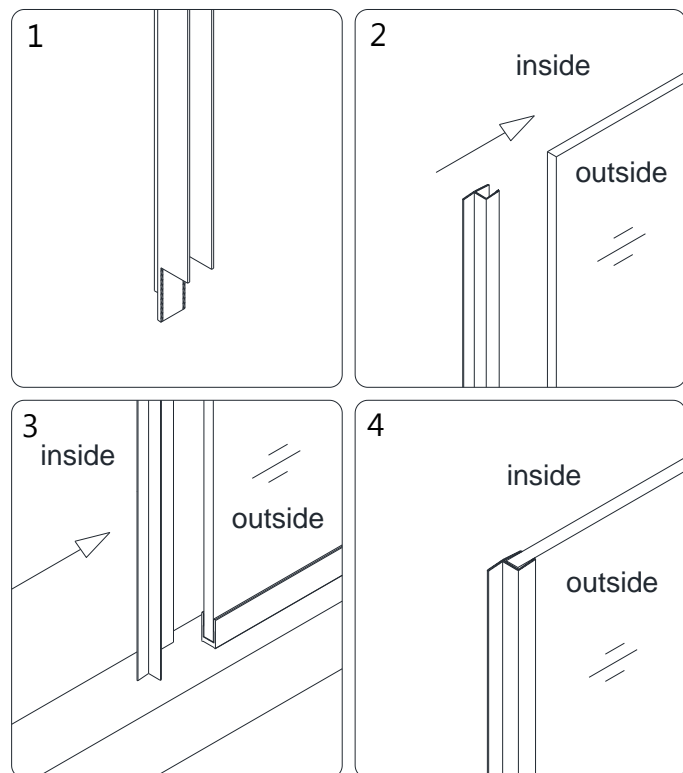


Fig. 13

Product Maintenance

BASES and BACKWALLS: To ensure long lasting life for your acrylic back walls: wipe them off after each use with a soft cloth. To clean the acrylic back walls use non-abrasive sprays or cream based cleaners. Avoid the use of aerosol spray cleaners. Never use abrasive cleansers, metal brushes or scrapers that could scratch or dull the surface.

GLASS: To ensure long lasting life for your glass shower products: wipe them off after each use with a soft cloth. Rinse and wipe off the glass using either a soft cloth or a squeegee to prevent soap buildup and water spots (Hard water can etch the surface of the glass over time if left to dry). To prevent scratching the surface: never use abrasive cleaners or cleaning products that contain scouring agents. Never use bristle brushes or abrasive sponges that may scratch the surface.

HARDWARE: To ensure a long lasting finish: wipe off the metal parts after each use with a soft cloth. Do not use abrasive cleaners or cleaning products containing ammonia, bleach or acid. If accidentally used, rinse the surface as soon as possible to prevent damage to the finish (peeling or corrosion). After cleaning the polished finishes, rinse thoroughly and wipe dry with soft cloth. Clean stainless steel surfaces at least once a week. When applying stainless steel cleaner or polish to stainless steel hardware, work with (not across) the grain. Never use an abrasive sponge or cloth, steel wool or wired brush as these may permanently scratch the surfaces.

NOTE: To maximize the life of your door, it is important to regularly inspect the glass and other hardware for misalignment, proper attachment, and/or damage. Contact DreamLine with any questions or concerns.



TEL: [866-731-2244](tel:866-731-2244)

FAX: [866-857-3638](tel:866-857-3638)

DREAMLINE.COM

For more information on [DreamLine® Shower Doors](http://DreamLine.com) and [Enclosures](http://DreamLine.com) please visit DreamLine.com