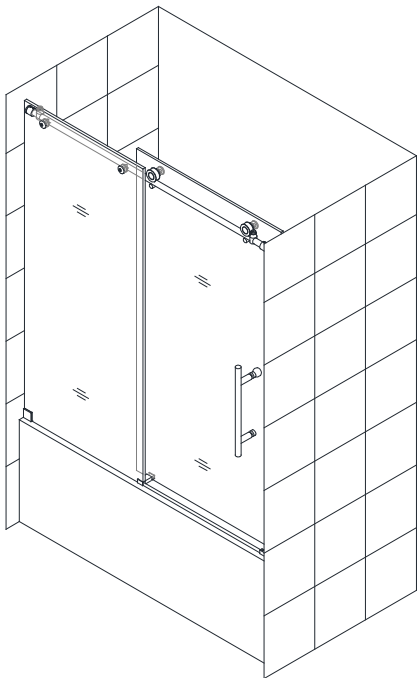


ENIGMA-X

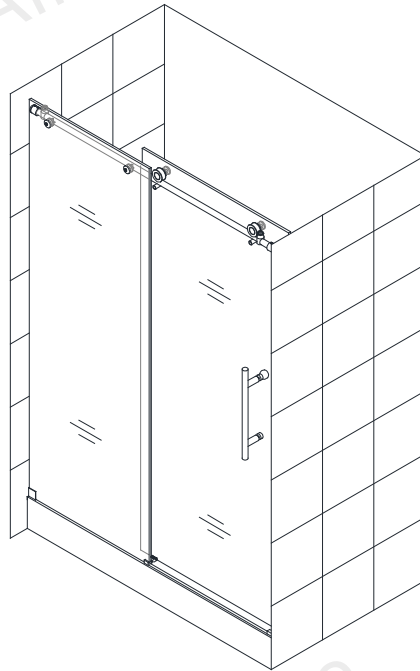
SHOWER DOOR INSTALLATION INSTRUCTIONS

IMPORTANT

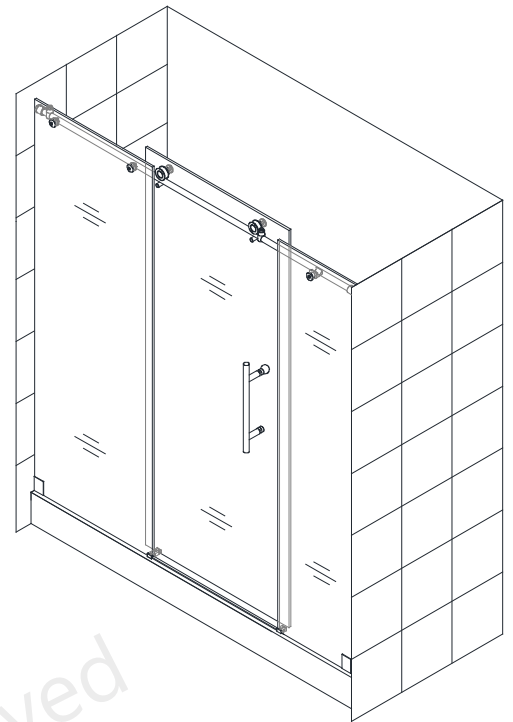
DreamLine® reserves the right to alter, modify or redesign products at any time without prior notice for the purpose of product improvement and customer experience. Please refer to the model's web page on DreamLine.com for the latest technical drawings, installation manuals, warranty information or additional product details.



SHDR-61606210-##



SHDR-61487610-##
SHDR-61607610-##



SHDR-61727610-##

##=finish
07- Brushed Stainless Steel
08- Polished Stainless Steel
18- Tuxedo

Right-hand door installation shown

PLEASE REVIEW THIS ENTIRE MANUAL PRIOR TO INSTALLATION



Questions?

Please Call **DreamLine** Customer Support: **1-855-831-2126**
Hours of Operation M-F 8AM - 7PM EST and Saturday 9AM - 5PM EST

Support@DreamLine.com



For more information about DreamLine® Shower Doors & Tub Doors please visit DreamLine.com

DREAMLINE[®]

THE ULTIMATE SHOWER DOOR



This model is treated with DreamLine's exclusive ClearMax™ Glass technology. This is a specially formulated coating that prevents the build up of soap and water spots.

Install the surface with the ClearMax™ label towards the inside of the shower. Please note that depending on the model, the glass may be coated on either one or both surfaces.

For best results, squeegee the glass after each use and dry with a soft cloth.

Table of Contents

Section title	Page #
ClearMax Coating Information	2
Manual Selection - single threshold and enclosure return panel manual	3
Important Model Information	4
Reinforcement Instructions	5
Preparation	6
Tools	7
Detailed Diagram 'A' of Shower Door Components	8
Detailed Diagram 'B' of Shower Door Components	9
Installation Steps	10-29
Guide Rail Bracket Adjustment	19
Guide Block Installation	20-22
Roller Wheel Adjustment Procedure	23 & 30
Roller Guards	24
Vinyl Seals	25
Door Stopper Installation	26
Bumper Installation	27, 28
Product Maintenance	31

© DreamLine
All Rights Reserved

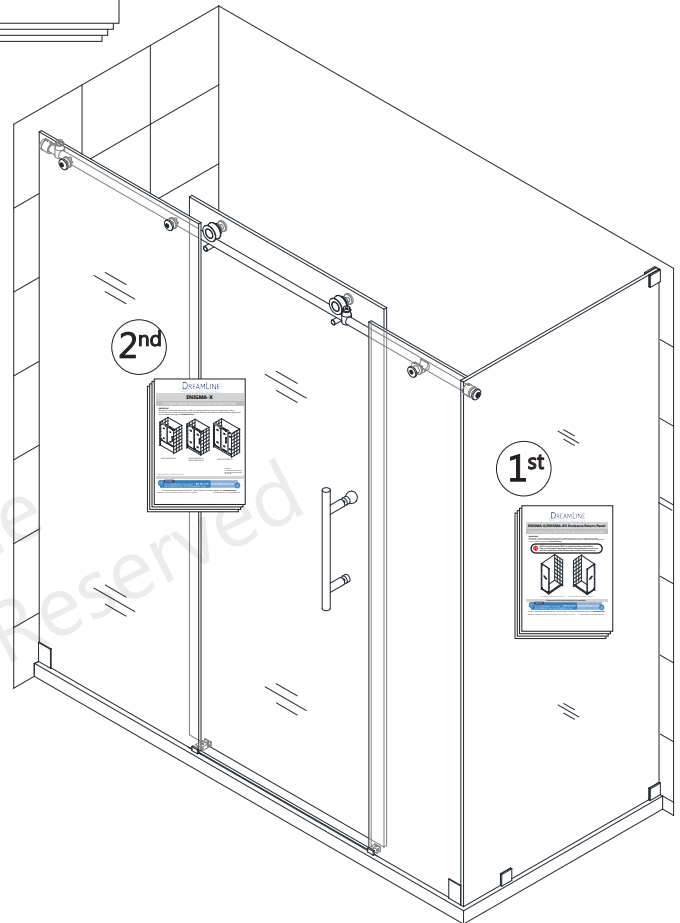
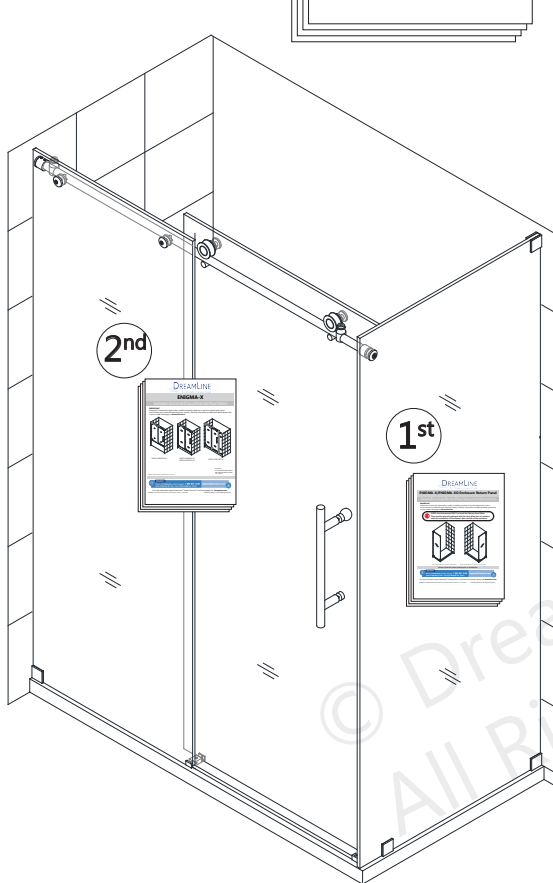
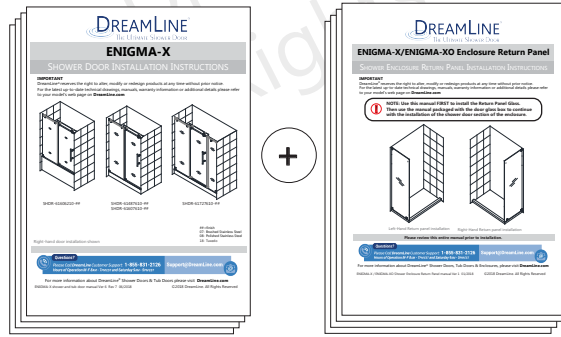


IMPORTANT! This manual will describe the installation of the single threshold model of the Enigma-X.

Use this manual when installing the Enigma-X single threshold model.

For the ENIGMA-X Enclosure installation:

Start with the Enigma-X/Enigma-XO Enclosure Return Panel manual that is packaged with the return panel glass first for the installation of the return panel glass, then use this manual for the installation of the door section.



**ENIGMA-X Enclosure
MODEL #s**

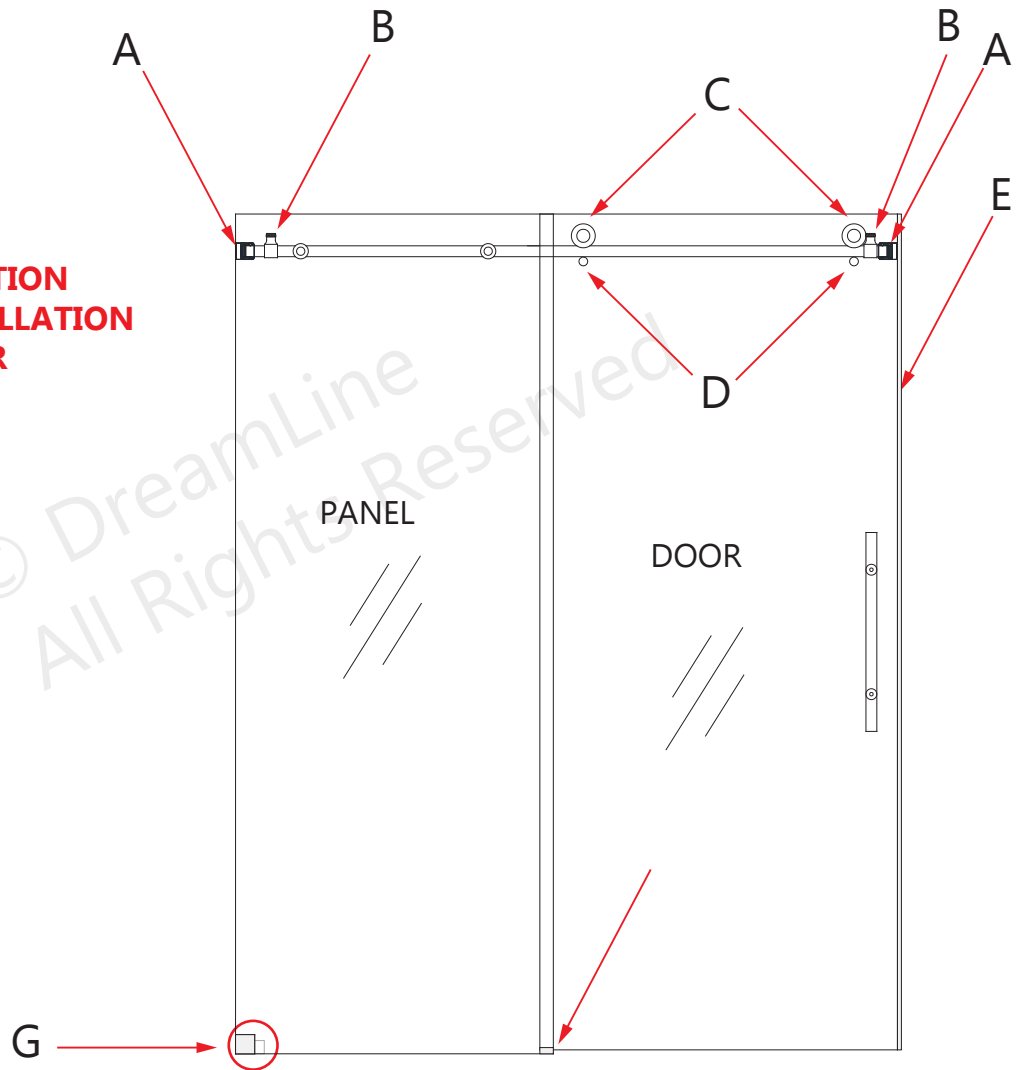
- SHEN-6132480-##
- SHEN-6132600-##
- SHEN-6134480-##
- SHEN-6134600-##

**ENIGMA-X Enclosure
MODEL #s**

- SHEN-6132720-##
- SHEN-6134720-##



**IMPORTANT INFORMATION
REGARDING THE INSTALLATION
OF THIS SHOWER DOOR**



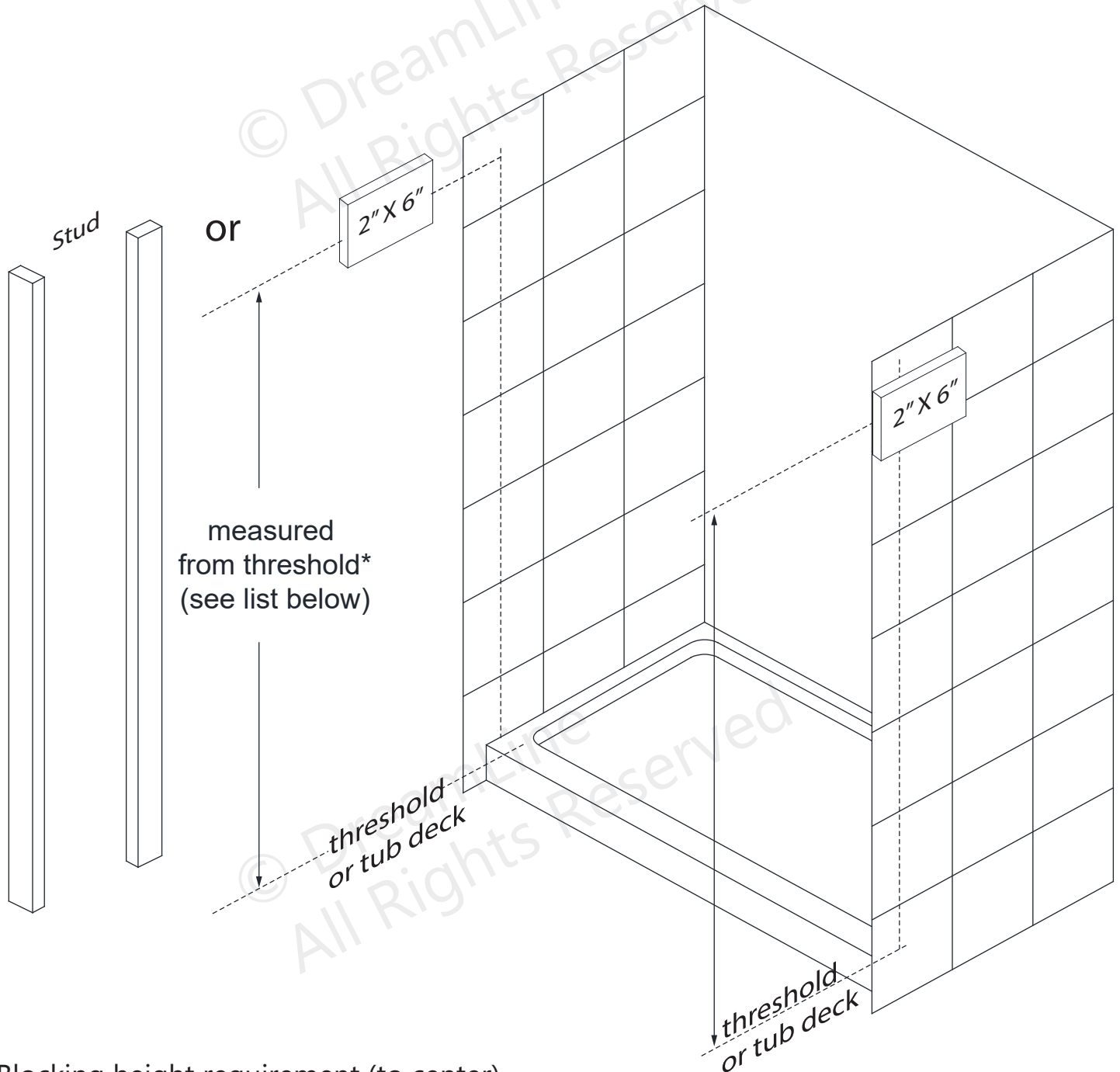
Right-hand door installation shown as an example

- A** **Guide Rail Brackets** must be firmly attached to the wall. **Installation into a stud is strongly recommended.** All of the guide rail bracket set screws must be tightened.
- B** **Thread Lock** must be applied to both stopper set screws. **Panel-side stopper must be installed into the pre-drilled stopper hole in the upper guide rail.** **Door-side stopper must be installed at the proper position to stop the door from contacting the wall.**
- C** **Roller Wheel Safety Set Screws** must be retightened after installation. **Apply Thread lock.**
- D** **Roller Guards** must be positioned and secured within 1/16" of Upper Guide Rail. **Apply thread lock.**
- E** **Bumper Vinyl Seal** must be installed on the closing edge of the door glass
- F** **The Guide Block** must be screwed to the **threshold** and installed square to the panel glass and door glass. Installing the guide block crooked may damage the bottom edge of the door glass and lead to breakage.
- G** **Bumper** is secured in position with 3M tape or screwed to the wall.

**PLEASE READ THE ENCLOSED INSTALLATION
MANUAL FOR DETAILS REGARDING PROPER
INSTALLATION.
THE LATEST VERSION OF THE INSTALLATION
MANUAL IS AVAILABLE TO VIEW OR PRINT
ON DREAMLINE.COM**

Reinforcement for Enigma Series Heavy Glass frameless sliding shower door

Install studs OR install 2"x 6" wood blocking between the studs where the
Guide Rail Brackets will attach to the wall



*Blocking height requirement (to center)
as measured from threshold or tub deck:

Enigma Air / Sky = 73" for shower ht / 59" for tub ht

Enigma-X / XO = 72-1/2" for shower ht / 58-1/2" for tub ht

Enigma-Z = 73-1/2" for shower ht / 59-1/2" for tub ht

Enigma = 75-1/2" for shower ht only

Preparation

1. After opening all boxes and packages, read this introduction carefully. Check that all of the needed parts are included in the package by marking all the components on the “**Detailed Diagram of Shower Door Components**”. Examine boxes and packages for shipping damage. If the unit has been damaged, has a finishing defect, or is missing parts, please contact our customer support department within **3 business days** of the delivery date. **Please note that DreamLine® will not replace any damaged products or missing parts free of charge after 3 business days or if the product has been installed.** Please contact DreamLine® if you have any questions.
2. **Please note that you should consult your local building codes with questions on installation compliance standards. Building and plumbing codes may vary by location, and DreamLine® is not responsible for code compliance standards for your project and will not accept any returns.**
3. If this unit is going to be installed in a new construction, install all of the required plumbing and drainage before installing the shower. **Use a competent and licensed (if required by local code) plumber for all plumbing installation.**
4. Please make sure that prior to beginning the installation, the surfaces are leveled and solid and will be able to support the total weight of the unit. Also make sure the walls are at right angles. Irregular installation surface level, radius corners or improper angle of side walls will result in serious problems for your installation. Please note that some adjustments and drilling might be necessary during the installation process.
5. Please protect all primary surfaces of the product during installation. Never set your glass down directly onto a tile floor. Leave corner protectors in place until necessary to remove them. Always use a piece of wood or cardboard to protect the bottom edge and corners of the glass prior to and during installation.
6. This unit must be installed upon a finished threshold and against finished walls.
7. **NOTE!** This door does not have out-of-plumb adjustment. Make sure your walls are at right angles.
8. This door requires a minimum **2-3/4"** of flat level threshold space for installation.
9. **This model requires that you drill into the threshold or tub deck for proper installation. Contact the manufacturer of the base, tub or threshold material with any questions regarding the drilling of holes into their product.**
10. **Please note that Step #11 has an option for installing the guide rail brackets to the wall using anchors. However, the manufacturer strongly recommends installing these heavy doors to the studs or to pre-installed 2"x 6" wood reinforcements behind the wall in the area where the guide rail brackets will be attached to the wall.**
11. **Professional installation required.**



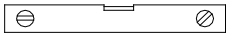
Attention: This door is extremely heavy and requires professional installation. Two installers recommended.



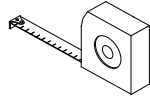
Do Not hang or drape a towel or wash cloth over the Enigma series guide rail as this may cause the roller wheels to get stuck and possibly cause serious damage or injury.

NOTE: This door is reversible for right or left-hand door installation. The right-hand door installation is shown as an example throughout this manual. For the left-hand door installation, simply begin on the opposite wall and reverse the orientation of the steps shown.

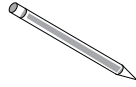
Tools



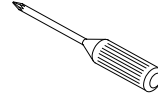
Level



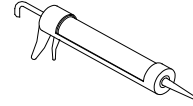
Tape Measure



Pencil



Phillips Screwdriver



Silicone



Power Drill



Drill bit
(Ø1/8")
(3mm)



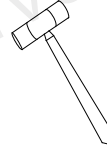
Drill bit
(Ø1/4")
(6mm)



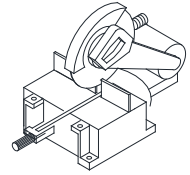
Drill bit
(Ø5/16")
(8mm)



Drill bit
(Ø3/8")
(10mm)



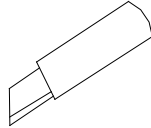
Hammer



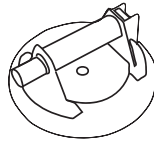
Chop saw and Hacksaw



Painter's Tape



Razor Knife



Professional-grade
Glass suction cup



Extender driver bit



#3 Phillips
driver bit



Tip: Measure the finished opening before proceeding with the installation to be sure that the correct model size has been ordered.



Be sure to cover the shower drain to prevent losing small parts.

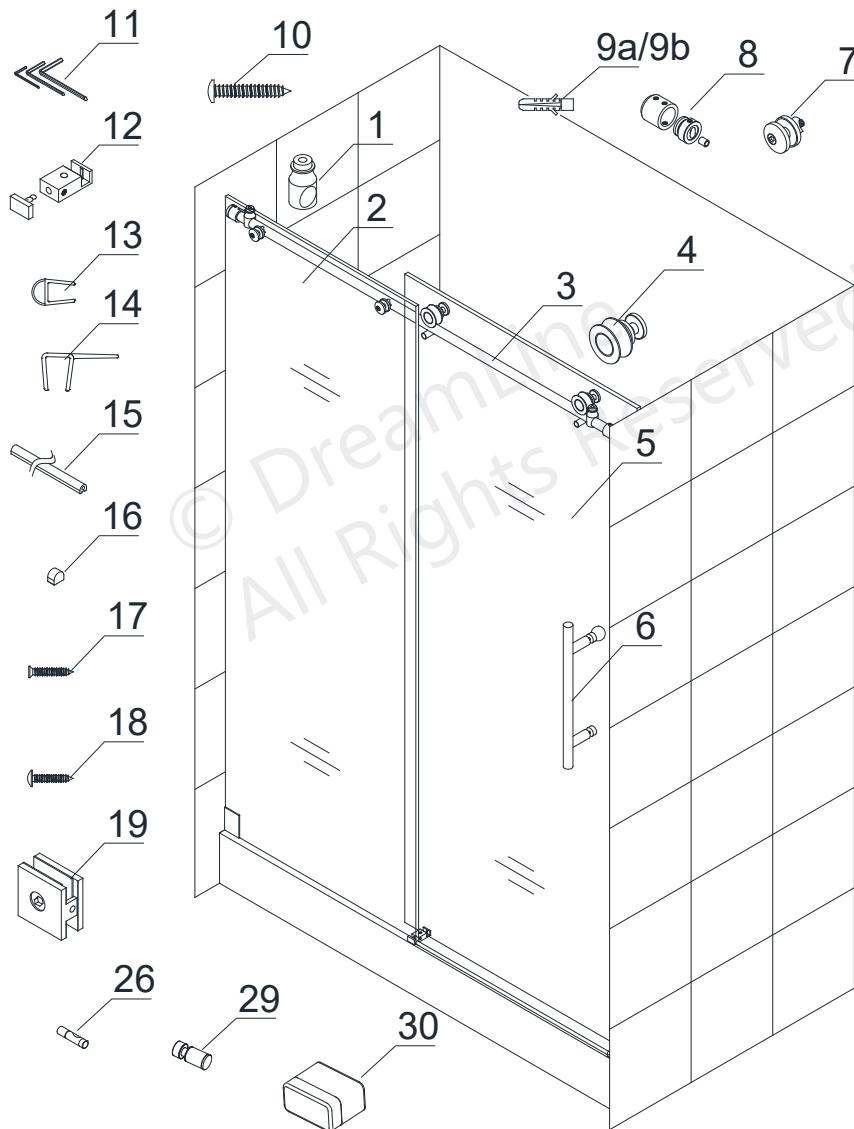
NOTE: Unpack your unit carefully and inspect it. Lay it out and identify all parts using the detailed diagram and packing list in this manual as a reference. Before discarding the carton, check for small hardware bags that may have fallen to the bottom of the box. If any parts are damaged or missing, please contact DreamLine® for replacement. The shipping boxes may contain extra parts not used in your model configuration.

NOTE: Retain these installation instructions for future reference.



These instructions will show the installation of the shower door. Please follow the same steps for the installation of the tub door.

Detailed Diagram 'A' of Shower Door Components



The glass surface with the ClearMax™ label must be installed to face inside of the shower

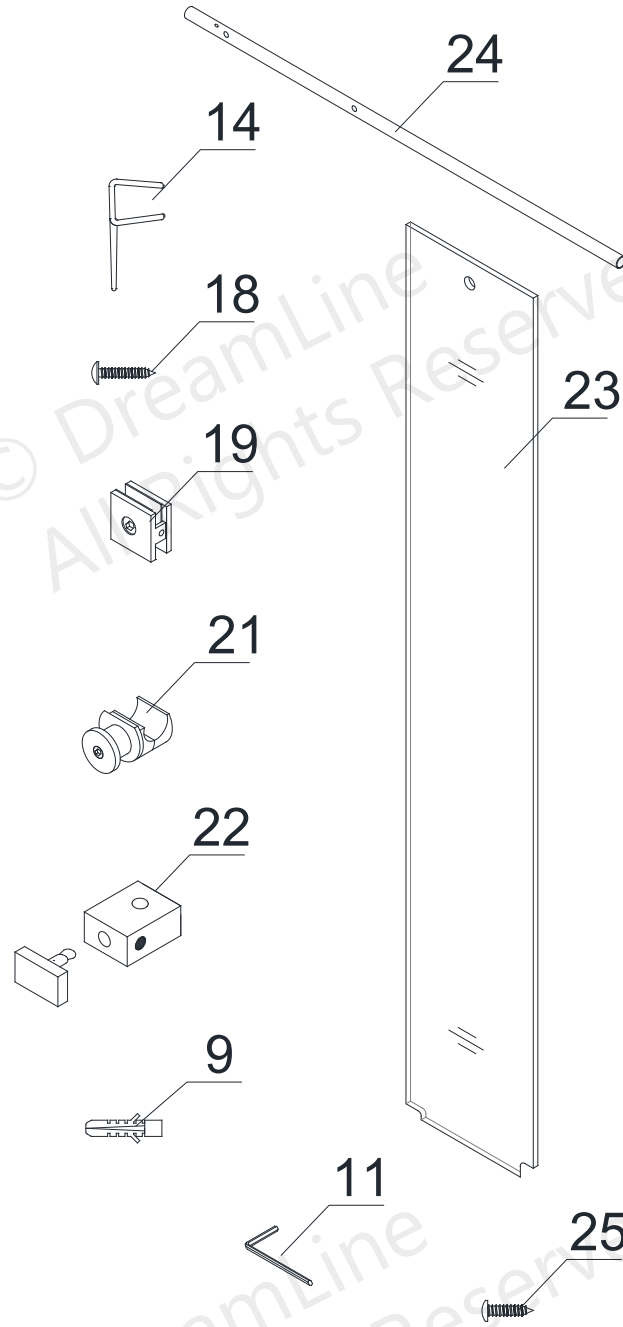
for Model #
SHDR-61487610-07/-08
SHDR-61607610-07/-08
SHDR-61606210-07/-08

Packing List A

PART#	DESCRIPTION	QTY	PART#	DESCRIPTION	QTY
01	Door stopper	2pcs	12	Guide block (with caps)	1pc
02	Stationary glass	1pc	13	Bumper strip **	1pc
03	Upper guide rail(for 48" or 60")	1pc	14	Anti-water strip	2pcs
04	Roller	2pcs	15	Anti-splash guard	1pc
05	Door Glass	1pc	16	Anti-splash guard cap	1pc
06	Handle	1pc	17	ST4.2x40 Countersunk screw	2pcs
07	Glass bracket	2pcs	18	ST4.2x55 Truss Head screw	2pcs
08	Guide rail bracket	2pcs	19	Wall bracket	1pc
9a	Wall anchor Ø 3/8"(10mm)	2pcs	26	Thread Lock adhesive	1pc
9b	Wall anchor Ø 5/16"(8mm)	3pcs	29	Roller Guard	2pcs
10	Large Truss Head Screw ST6x65	2pcs	30	Bumper	1pc
11	Allen Wrench 3,4,5 mm	1set			

** not used with the 72" configuration

Detailed Diagram 'B' of Shower Door Components (for 72" model width only)



for Model #
SHDR-61727610-07/-08

Packing List B

PART#	DESCRIPTION	QTY	PART#	DESCRIPTION	QTY
9b	Wall anchor Ø 5/16"(8mm)	2pcs	21	Small stationary glass bracket	1pc
11	Allen Wrench 3,4,5 mm	1set	22	Small stationary glass Bottom bracket	1pc
14	Anti-water strip	1pc	23	Small stationary glass	1pc
18	ST4.2x55 Truss Head screw	1pc	24	Upper guide rail (for 72")	1pc
19	Wall bracket	1pc	25	ST4.2x40 Countersunk screw	1pc

Installation steps

1. Measure the distance between the two finished walls at the top, middle and bottom. Measure the width at the model height (62" or 76"). This top measurement will be the "**W**" dimension used to cut the guide rail to the correct size for the finished opening. Also, check the threshold for level and the walls for plumb. **(Fig 1)**

Note: The minimum threshold requirement for the ENIGMA-X is **2-3/4" of flat threshold space**.

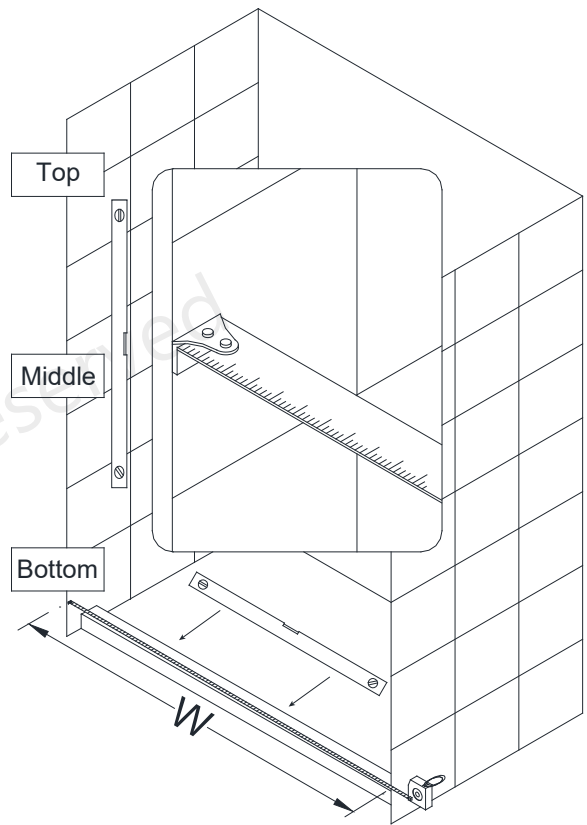
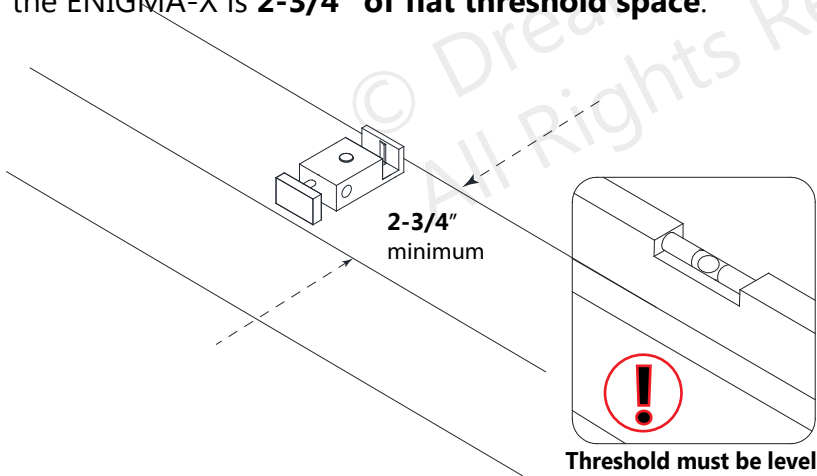


Fig 1

2. The **Upper Guide Rail (#03)** has been pre-cut for the model width of: 48", 60" or 72". **(Note: The actual rail is shorter than the model width by design).**

Cut the **Upper Guide Rail (#03)** from the door end only, which is the end that is farther from the **Glass Bracket (#07)** holes. **(Fig 2)**

The length to cut off will be (L) :
Model Width – finished opening W = cut off length (L)

***FOR EXAMPLE:**

If the model width is **48"** and the finished opening is **46"**, then you will need to cut **2"** off from the door end of the Guide Rail: **Example: 48" – 46" = 2" cut off**

***Note that this is only an example and the actual cut-off length will vary based on the actual finished opening dimension.**

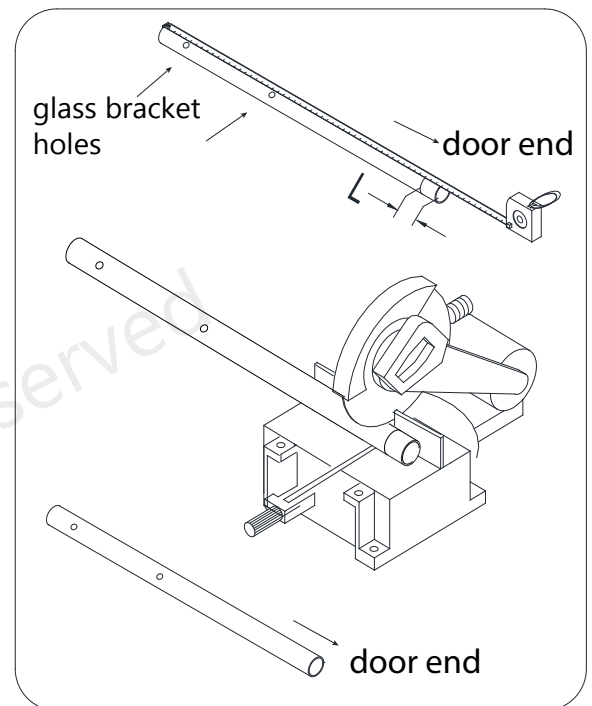
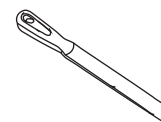


Fig 2



Use a metal file to deburr the cut end

3a. Attach the **Upper Guide Rail (#03)** to the **Stationary Glass (#02)** with the **Glass Brackets (#07)** and tighten the bolts into the holes in the **Upper Guide Rail (#03)**. Make sure both adjustment disks are installed in the same direction with the high spot towards the door end. (see *Note below)

Make sure that the guide rail is attached parallel with the top edge of the stationary panel glass.

3b. Slide the **Door Stoppers (#01)** onto each end of the **Upper Guide Rail (#03)**. Secure them using the **4mm Allen Wrench (#11)**. **Install the panel-end stopper into the pre-drilled stopper hole in the Upper Guide Rail and apply thread lock to the set screw.**

(Fig 3a.3) Install the door-end stopper approximately 4" from the end of the guide rail. (The door-end stopper position will be adjusted after the door glass is installed).

3c. Slide the **Guide Rail Brackets (#08)** onto each end of the **Upper Guide Rail (#03)** and secure them. Next, assemble the **Wall Bracket (#19)** onto the bottom corner of the **Stationary Glass (#02)** with the bolt facing into the shower as shown in **Fig 3.5**. Use the supplied gaskets to protect the glass. **(Fig 3a and Fig 3b)**

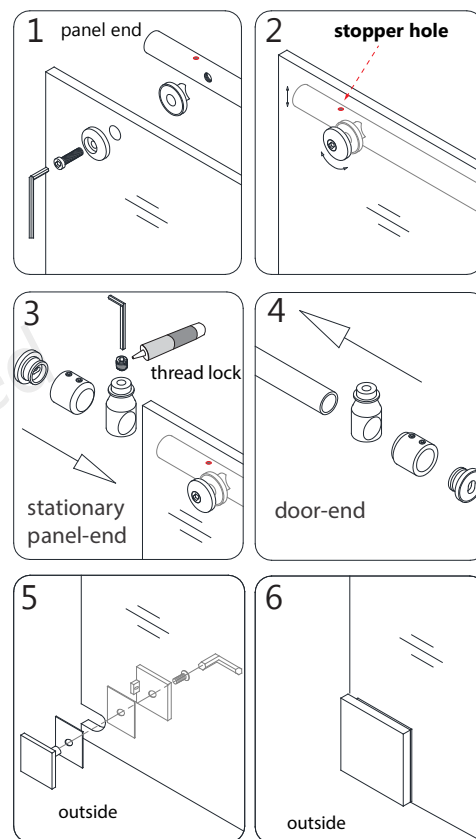
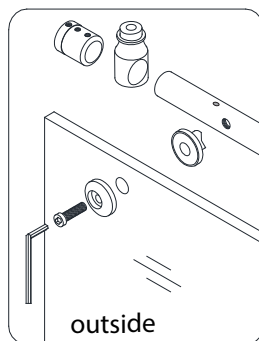
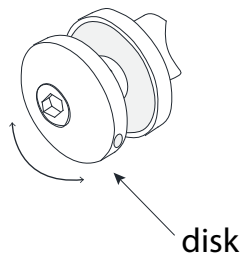
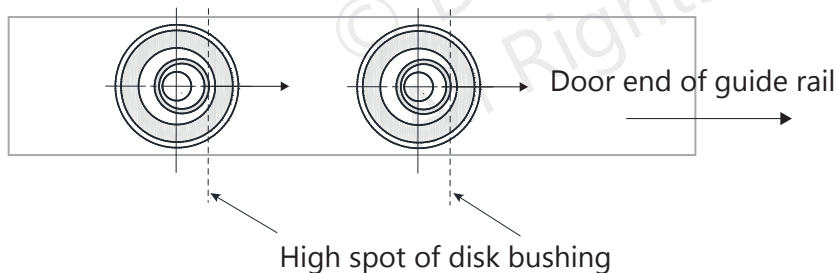


Fig 3a

glass bracket



***NOTE:** The outer glass bracket disk has an eccentric bushing for adjustment. Be sure to install both glass bracket disks with the high spot of the bushing pointed towards the door end of the guide rail.



TIP: Mark the location of the high spot on the outer surface of the adjustment disk with a felt tip pen to make adjustment easier to see.

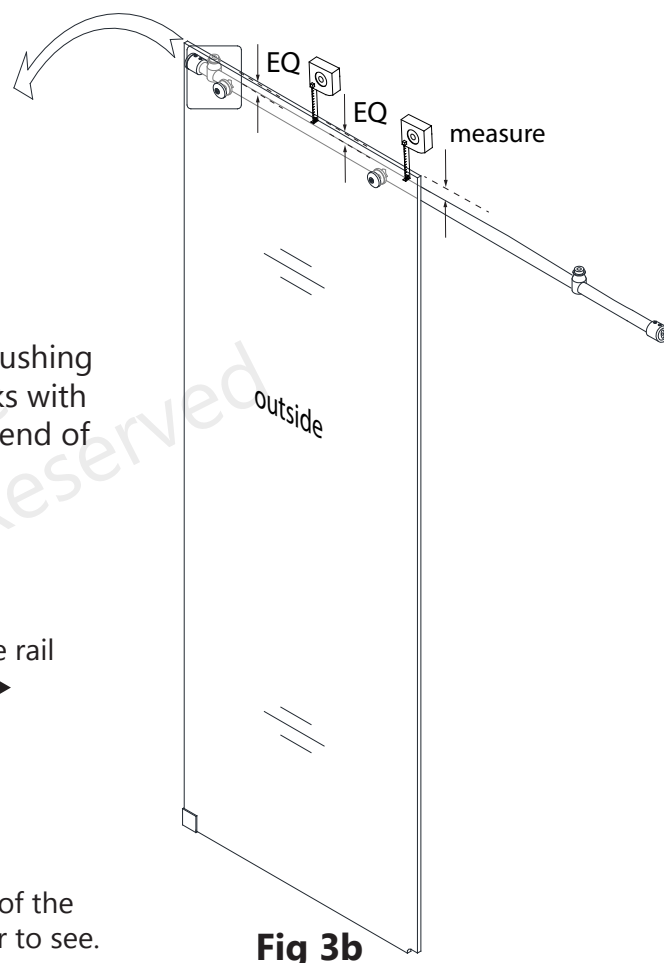


Fig 3b

ATTENTION:

This step shows the **Small Stationary Glass Bracket (#21)** installation for the **72" model only** (not included with the 48" or 60" model).

4. If the model width is 72" and includes the **Small Stationary Glass (#23)**, attach the **Small Stationary Glass Bracket (#21)** to the **Upper Guide Rail for 72" (#24)** between the **Door Stopper (#01)** and the **Guide Rail Bracket (#08)** as shown in **Fig 4**.

This bracket will be repositioned during the installation of the **Small Stationary Glass (#23)**. (**Fig 4**)

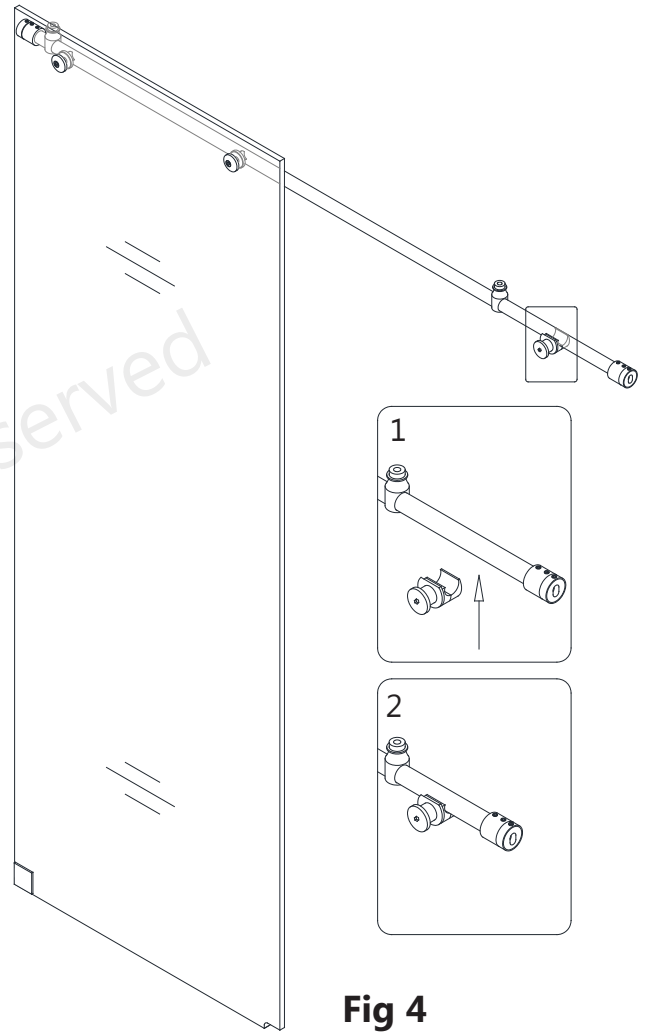
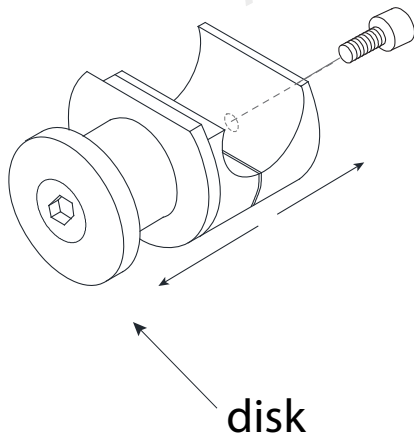


Fig 4

5. If the model width is 72" and includes the **Small Stationary Glass (#23)**, assemble the **Wall Bracket (#19)** onto the larger notch at the bottom corner of the **Small Stationary Glass (#23)**. Use the provided gaskets to protect the glass. (**Fig 5**)

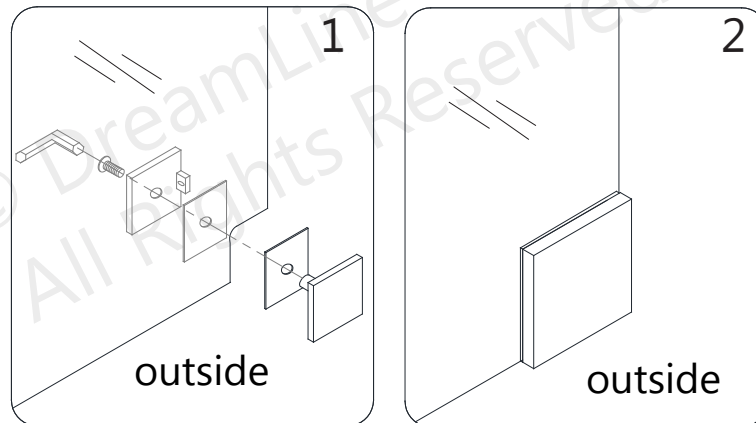
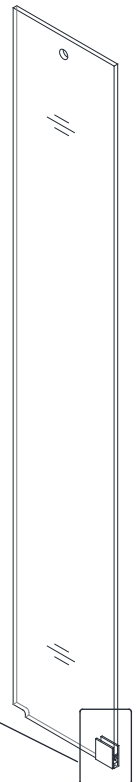


Fig 5



NOTE: For single threshold installation (shown), this bracket will be installed to the wall. For an enclosure installation, this bracket will need to be installed into the threshold.



6. Place the **Stationary Glass (#02)** with the **Upper Guide Rail (#03)** onto the threshold and position it against the wall.

(Note that the **Stationary Glass (#02)** installs to the **outside** of the **Upper Guide Rail (#03)**)

Make sure the **Stationary Glass (#02)** and the **Upper Guide Rail (#03)** are level. If a horizontal adjustment is required; loosen, rotate and re-tighten the disks on the **Glass Brackets (#07)**. **(Fig 6)**

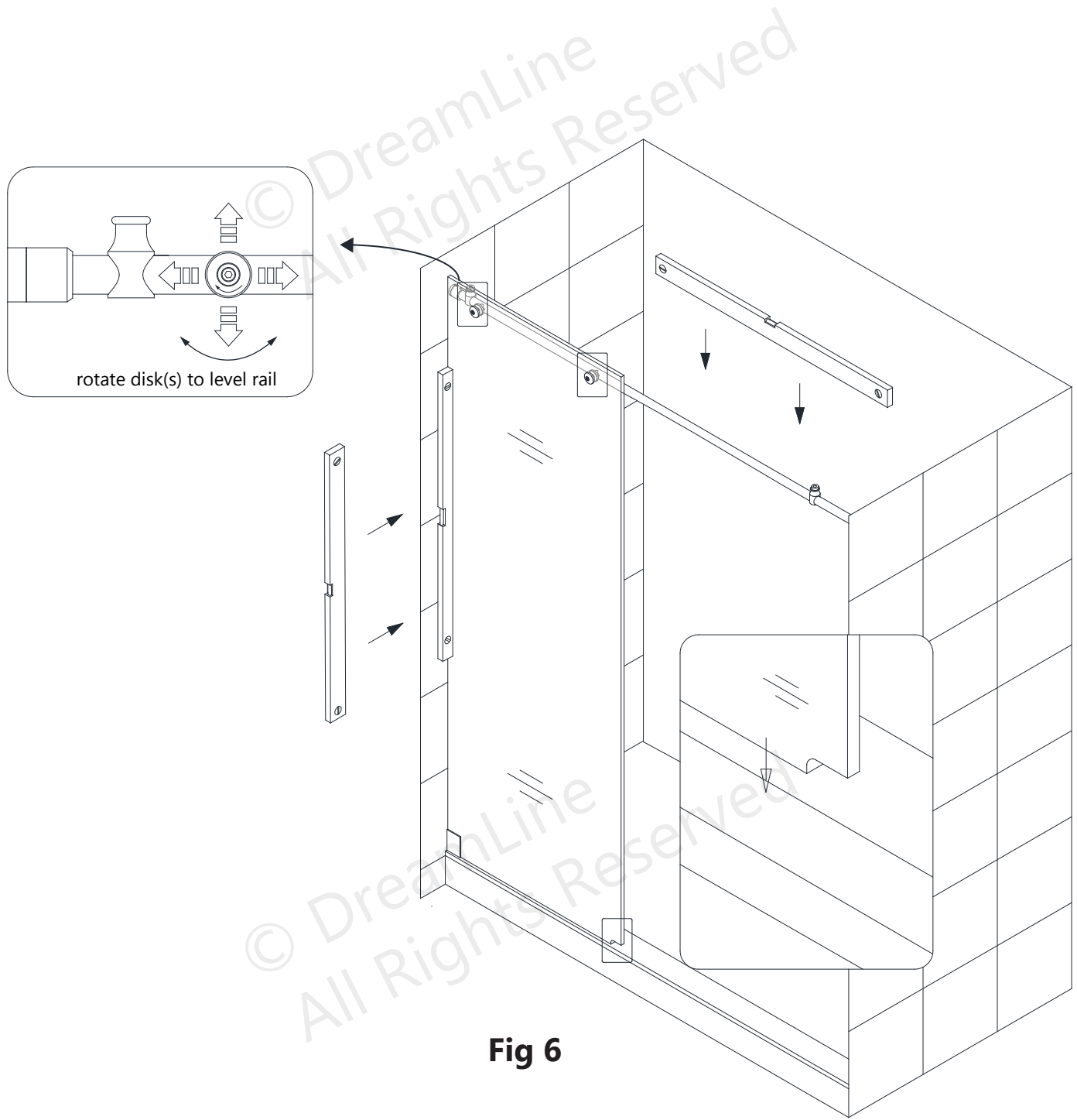


Fig 6

ATTENTION:

This step shows the **Small Stationary Glass (#23)** installation for the 72" model only (not included with the 60" model).

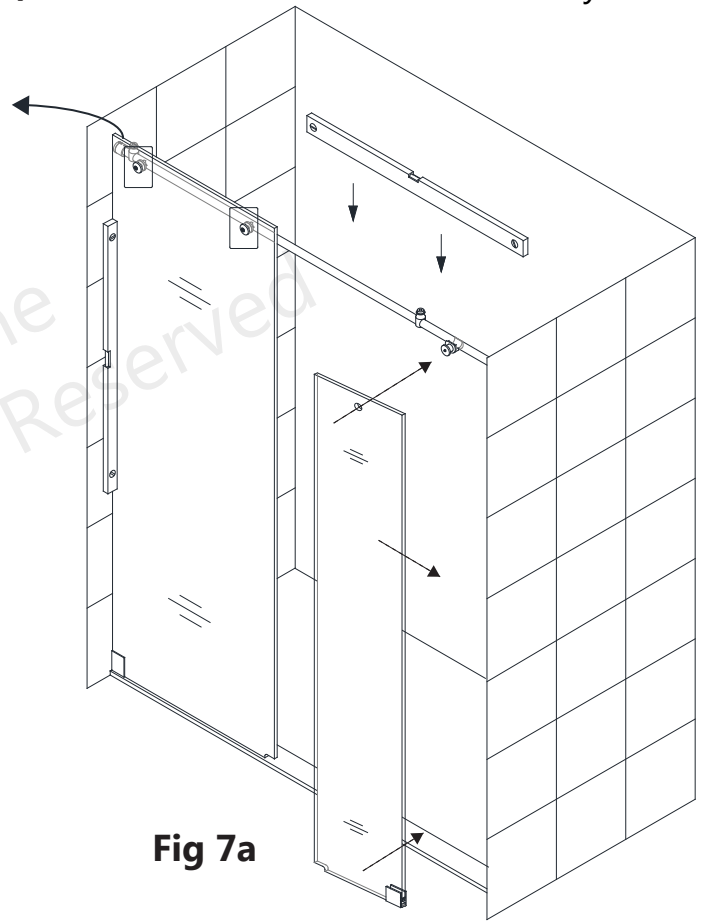
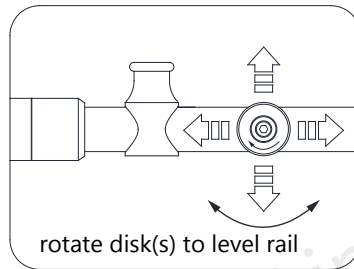


Fig 7a

7. If installing the 72" model:

Unscrew the disk from the **Small Stationary Glass Bracket (#21)** and loosen the set screw that secures the bracket to the guide rail. If necessary, slide the **Door Stopper (#01)** away from the area so that it will not interfere with the placement of the **Small Stationary Glass (#23)**.

Position the **Small Stationary Glass (#23)** onto the threshold and butt it up against the wall.

Align the **Small Stationary Glass Bracket (#21)** with the hole in the **Small Stationary Glass (#23)**, re-attach the outer disk and secure the **Small Stationary Glass Bracket (#21)** to the **Upper Guide Rail for 72" (#24)**. (Fig 7a and 7b)

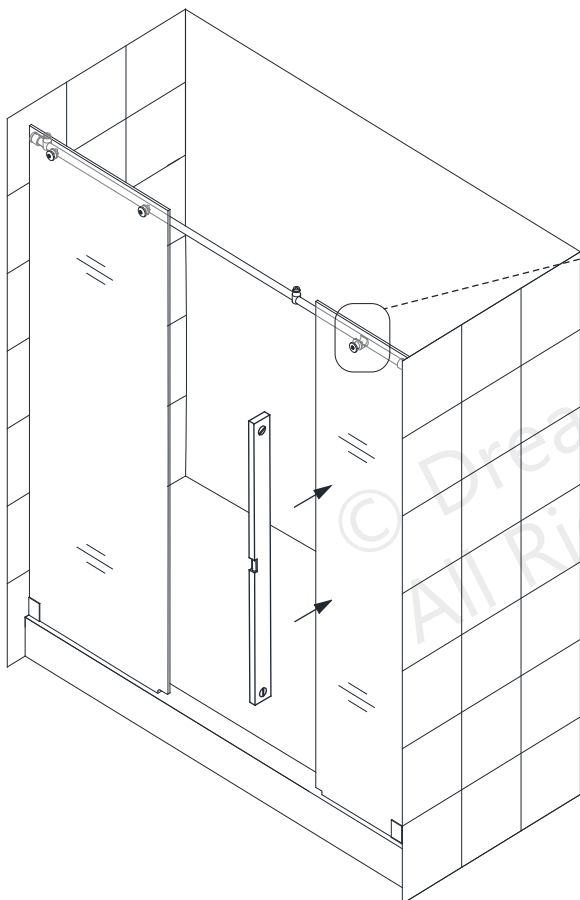
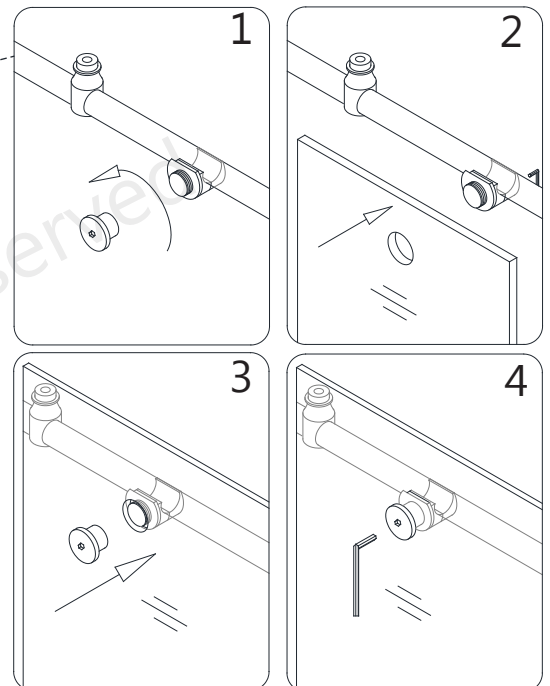


Fig 7b



8. Once the **Upper Guide Rail (#03)** is level, mark the position of the **Wall Bracket (#19)** and **Guide Rail Brackets (#08)** on the wall.

***NOTE:** If installing the 72" model, also mark the position of the **Wall Bracket (#19)** on the opposite wall for the **Small Stationary Panel Glass (#23)** (see Fig 8.4*). (Fig 8)

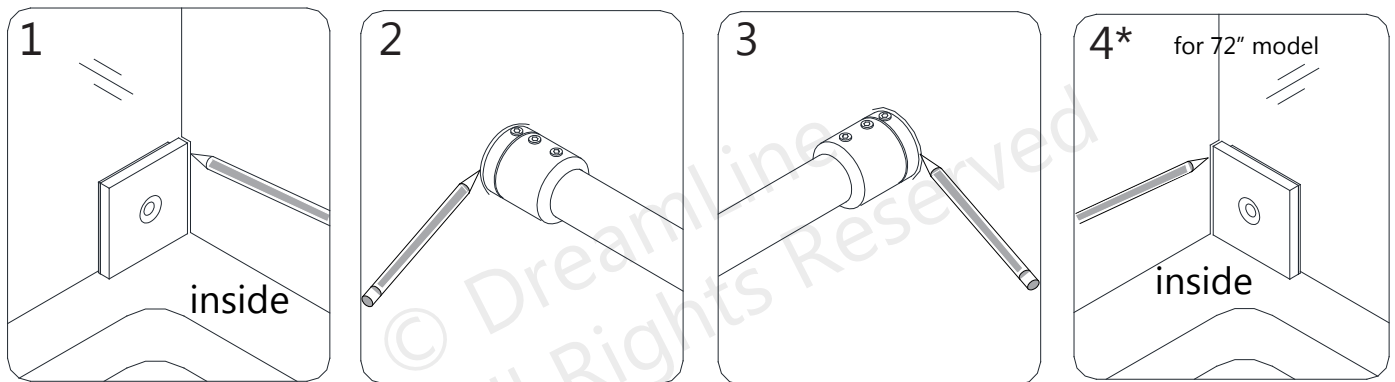
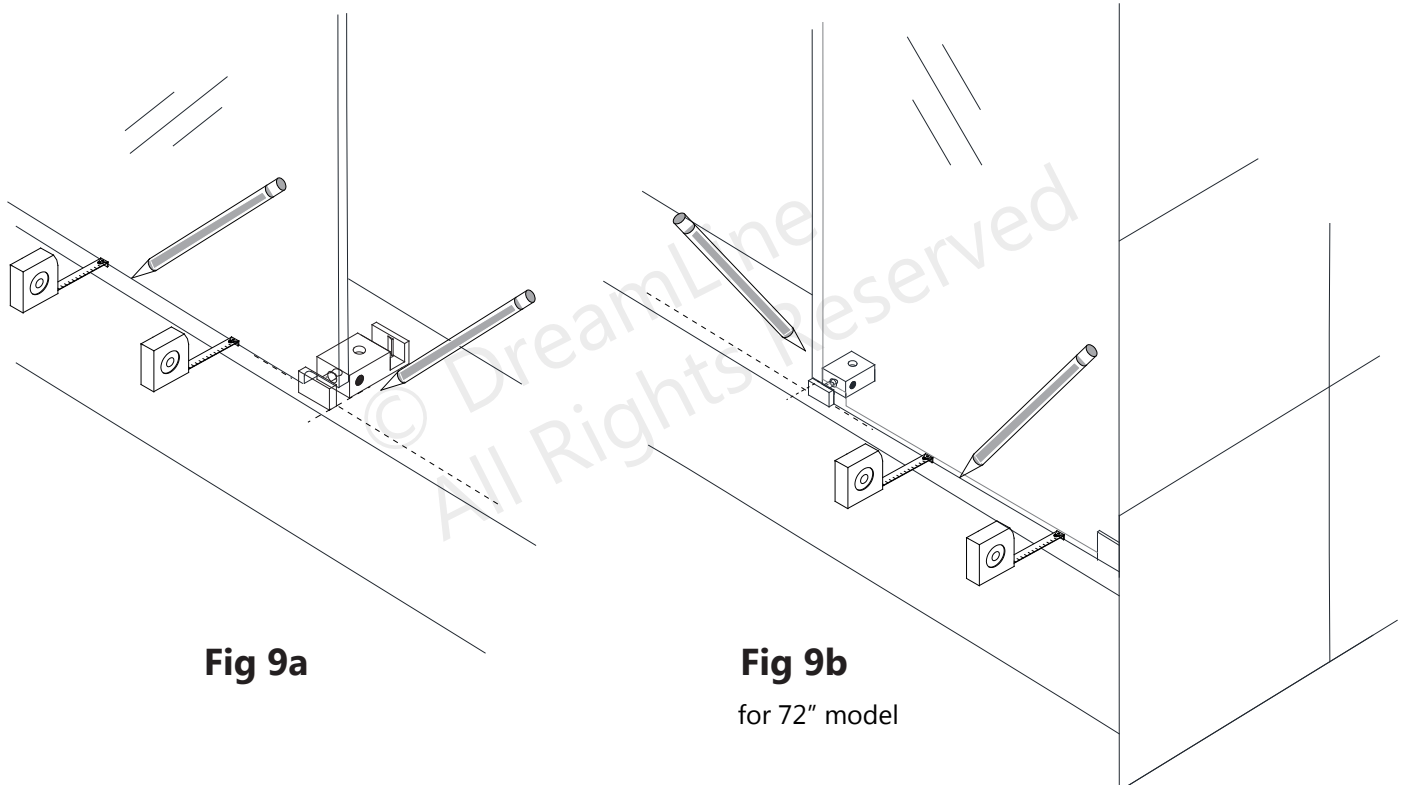


Fig 8

9. Make sure that the **Stationary Glass (#02)** is parallel to the front edge of the threshold and mark it. Slide the **Guide Block (#12)** into the notch of the **Stationary Glass (#02)**, and align flush with the edge (Fig 9a). Mark its position and also mark the hole for drilling using a pencil (or center punch.)

Note: If installing the 72" model, also position the **Small Stationary Glass Bottom Bracket (#22)** with the edge of the **Small Stationary Glass (#23)** (Fig 9b) and mark its position and the hole for drilling. (Fig 9a and 9b)

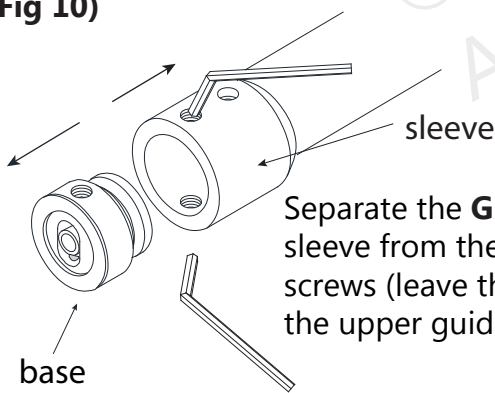


10. After marking the positions of all the hardware, set the **Stationary Glass (#02)** with the **Upper Guide Rail (#03)** aside.

(If installing the 72" model, also remove the **Small Stationary Panel Glass (#23)** from the **Upper Guide Rail (#03)**).

Remove the **Guide Rail Brackets (#08)** from the **Upper Guide Rail (#03)** and the **Wall Bracket (#19)** from the **Stationary Glass (#02)**. Place the **Wall Bracket (#19)** and **Guide Rail Brackets (#08)** back to the outlined positions and mark the holes for drilling.

***NOTE: If installing the 72" model,** perform the same procedure on the opposite wall to mark the **Wall Bracket (#19)** for the **Small Stationary Panel Glass (#23)** (see Fig 10.4*). (Fig 10)



Separate the **Guide Rail Bracket (#08)** sleeve from the base by loosening the set screws (leave the sleeves on both ends of the upper guide rail)

****NOTE:** Step #11 has an option for installing the guide rail brackets to the wall using anchors. However, **the manufacturer strongly recommends installing these heavy doors to the studs or to pre-installed 2" x 6" wood reinforcements behind the wall in the area where the guide rail brackets will be attached to the wall.**



****For the recommended installation into a stud, drill a Ø1/4" hole up to the stud and do not use wall anchors. Drill an Ø1/8" pilot hole into the stud and let the screw bore into the wood.**

11. Drill a hole for the **Wall Bracket (#19)** using a **Ø5/16" (8mm)** drill bit and insert the **Wall Anchor (#9b)** (see Fig. 11.1 and 11.2).

For the 72" model, repeat this step for the **Wall Bracket (#19)** for the **Small Stationary Panel Glass (#23)**. (Fig 11.7 and 11.8)

Drill the holes for the **Guide Rail Brackets (#08)** using a **Ø3/8" (10mm)** drill bit and insert the **Wall Anchors (#9a)**. (see Fig. 11.3**~ 11.6**).

****If installing into a stud (recommended), drill a Ø1/4" hole and do not use the wall anchors (see note above).** (Fig 11)

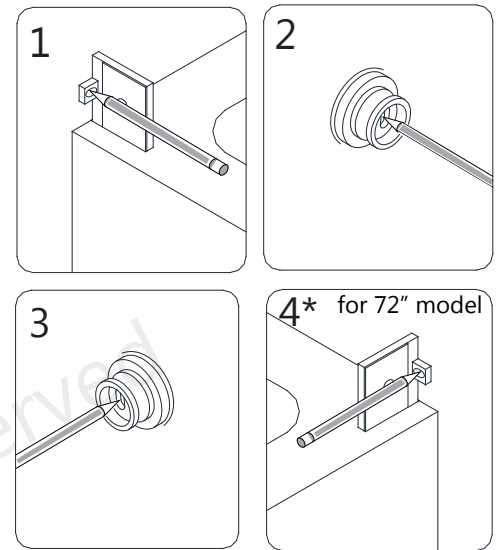


Fig 10

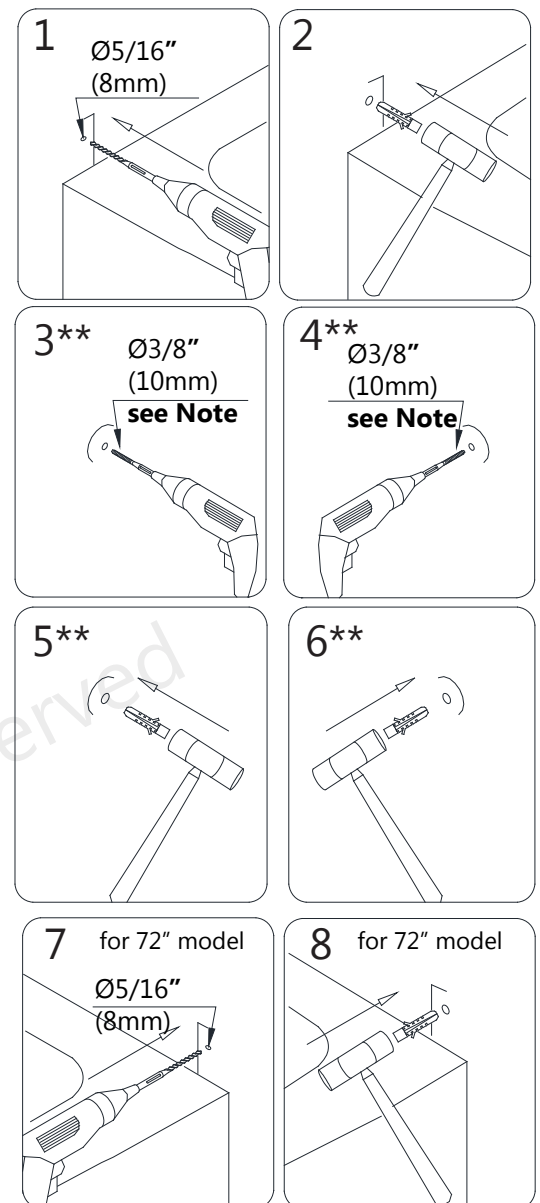


Fig 11

12. Fasten the **Wall Bracket (#19)** to the wall using the **ST4.2×55 Truss Head Screw (#18)**. (Fig 12.1) **If installing the 72" model**, repeat this step to install the **Wall Bracket (#19)** for the **Small Stationary Panel Glass (#23)** (Fig 12.4*).

Install the base parts of the **Guide Rail Brackets (#08)** onto both walls using the **ST6×65 Large Truss Head Screw (#10)**. Note that the adjustment set screws must be aligned vertically for easier access to adjust for level if necessary after the glass is installed. Align the set screws vertically and tighten. (Fig 12)

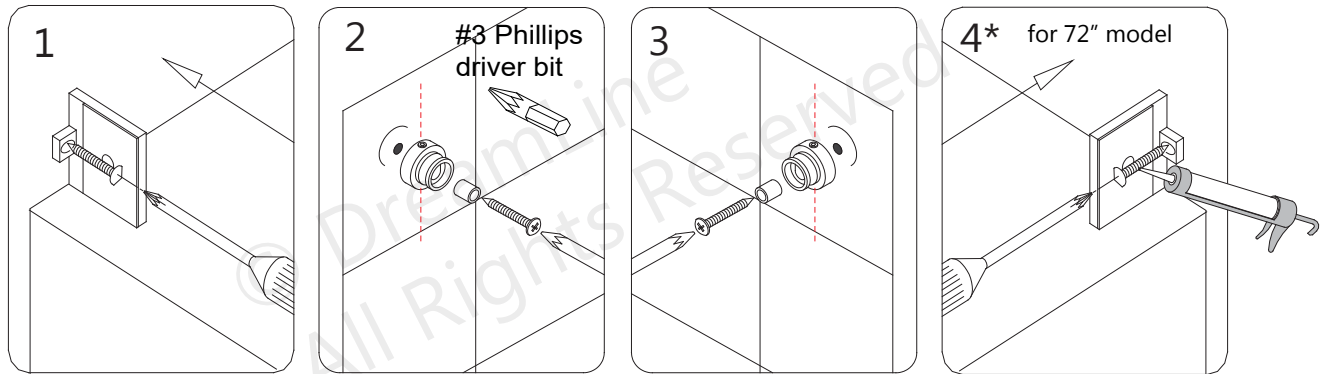


Fig 12

13a. To install **Guide Block (#12)**: Loosen the set screw and remove the **guide block face plate** (Fig 13a.5). Apply silicone to the underside of the **Guide Block (#12)** and screw the **Guide Block (#12)** to the threshold as described below:

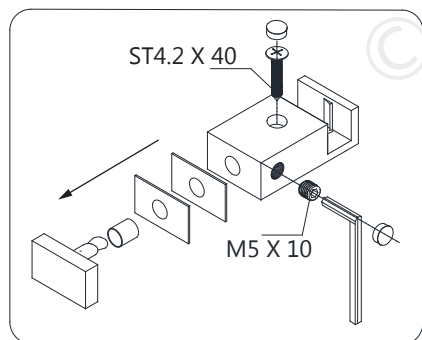
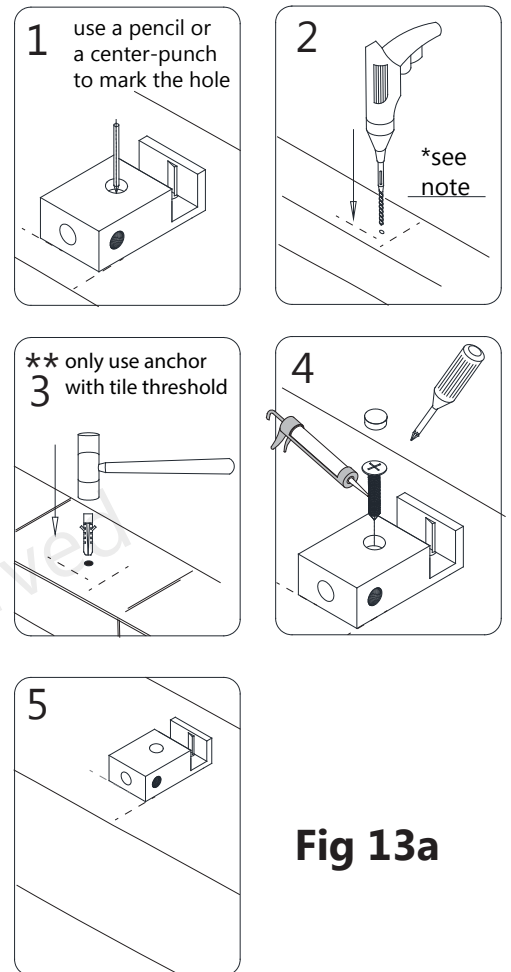
***NOTE:**

- For installation into an **Acrylic Threshold**: drill a **Ø1/8" (3mm)** hole and use the **ST4.2 x 40mm Countersunk Screw (#17)**

OR

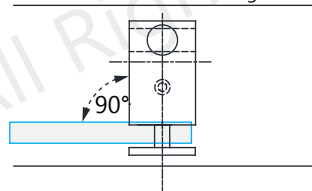
- For installation into a **Tile Threshold**: drill a **Ø5/16" (8mm)** hole, install a **Wall Anchor 5/16" (#09b)** and use the **ST4.2 x 40mm Countersunk Screw (#17)**.

The Guide Block (#12) must be screwed down. (Fig 13a)



Part#12 - Guide Block (with caps)

overhead view of threshold & guide block



Guide Block must be installed square to the plane of the glass

Fig 13a

13b. If installing the 72" model, repeat Step #13a for the **Small Stationary Glass Bottom Bracket (#22)**. Loosen the set screw and remove the **Guide Block Face Plate**.

***NOTE:**

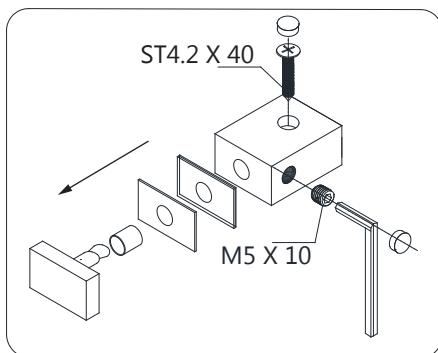
- For installation into an **Acrylic Threshold:** drill an **Ø1/8" (3mm)** hole and use the **ST4.2 x 40mm Countersunk Screw (#17)**

OR

- For installation into a **Tile Threshold:** drill a **Ø5/16" (8mm)** hole and use the **ST4.2 x 40mm Countersunk Screw (#17) (with Anchor (#09b) for tile)**

Apply silicone to the underside of the **Guide Block (#22)** and screw the **Guide Block (#22)** to the threshold. (**Fig 13b**)

The Small Stationary Glass Bottom Bracket (#22) must be screwed down.



Part#22 - Small Stationary Glass Bottom Bracket

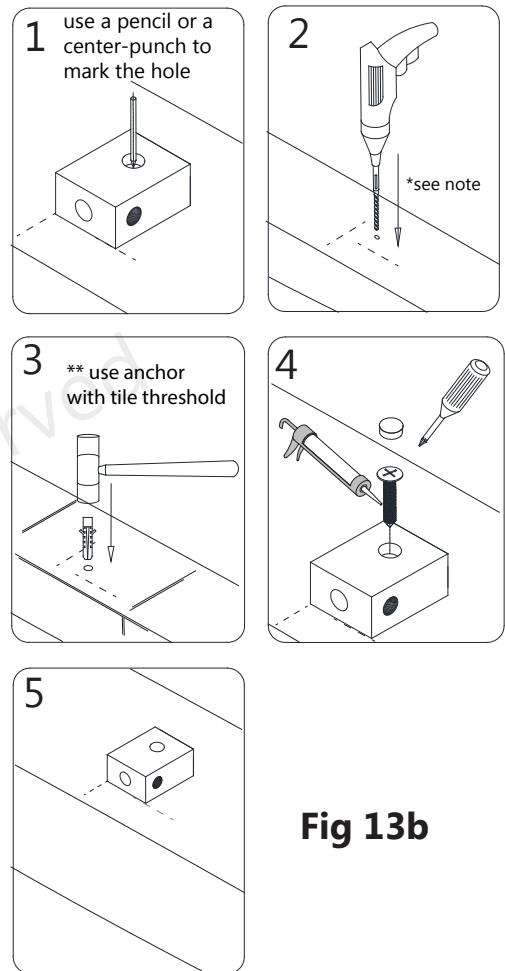


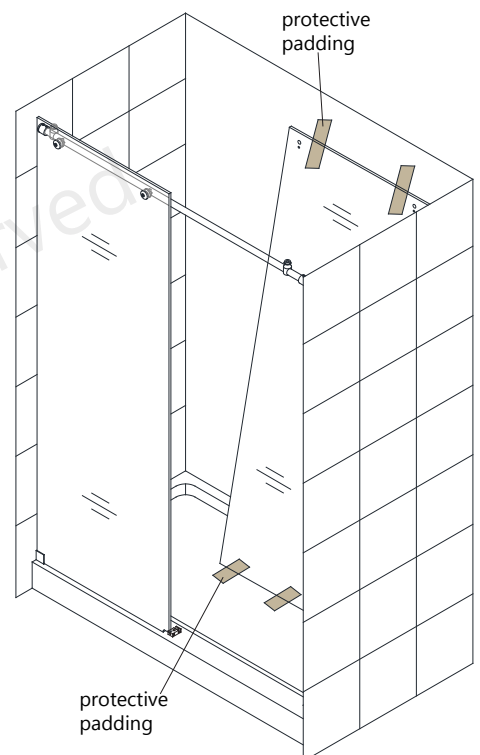
Fig 13b



NOTE: Before you install the **Stationary Glass (#02)**, take the **Door Glass (#05)** into the shower area and lean it against the wall with the handle holes on the correct side. After the **Stationary Glass (#02)** is installed, it may not be possible to easily get the door glass into the shower. Always use padding to protect the glass and shower surfaces.



NOTE: DO NOT attach the handle to the door glass until instructed. **DO NOT** attempt to lift the door glass with the handle as this may result in damage to the glass and/or serious personal injury. Use a professional grade glass suction cup and an assistant.



14. Re-position the **Stationary Glass (#02)** and **Upper Guide Rail (#03)** onto the threshold and fasten both sleeves of the **Guide Rail Brackets (#08)** to the brackets on the walls. Tighten the set screws on the **Guide Rail Brackets (#08)** to secure the **Upper Guide Rail (#03)**. Position the bracket set screws so that they are accessible from the top and bottom (**Fig 14.1 and 14.2**).

Assemble the **Wall Bracket (#19)** at the bottom corner of the **Stationary Glass (#02)**. **For the 72" model**, repeat this step for the **Wall Bracket (#19)** for the **Small Stationary Panel Glass (#23)** (**Fig 14.4**)

Use the clear vinyl gasket between the glass and the metal parts to avoid contact with the glass, then tighten the bolt with the supplied allen wrench. (**Fig 14**)

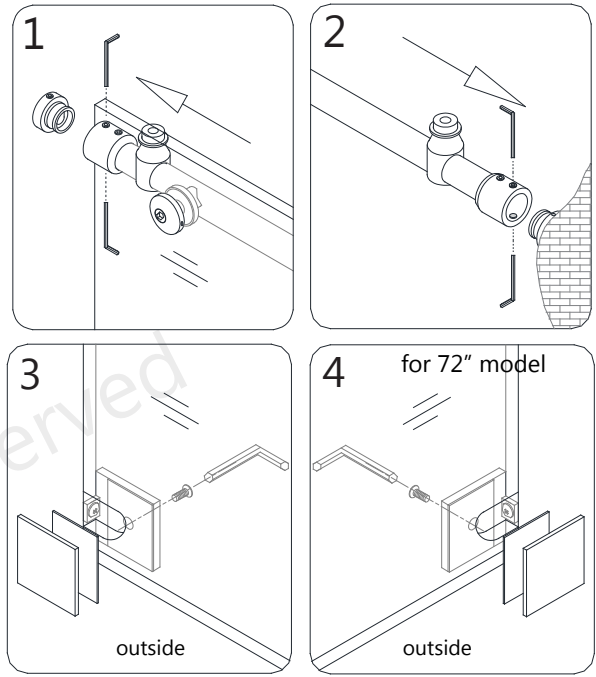
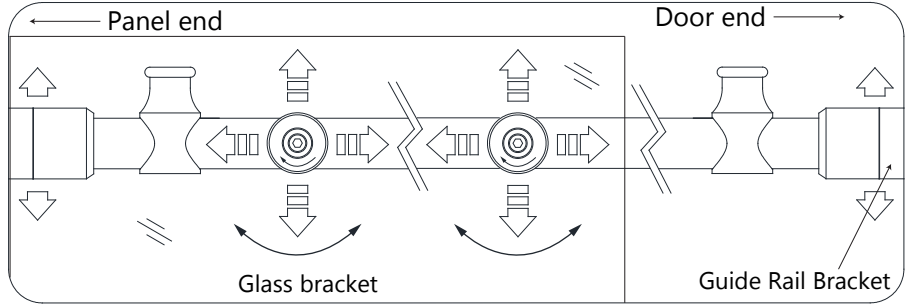


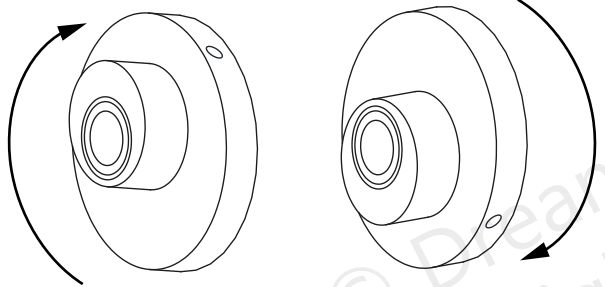
Fig 14



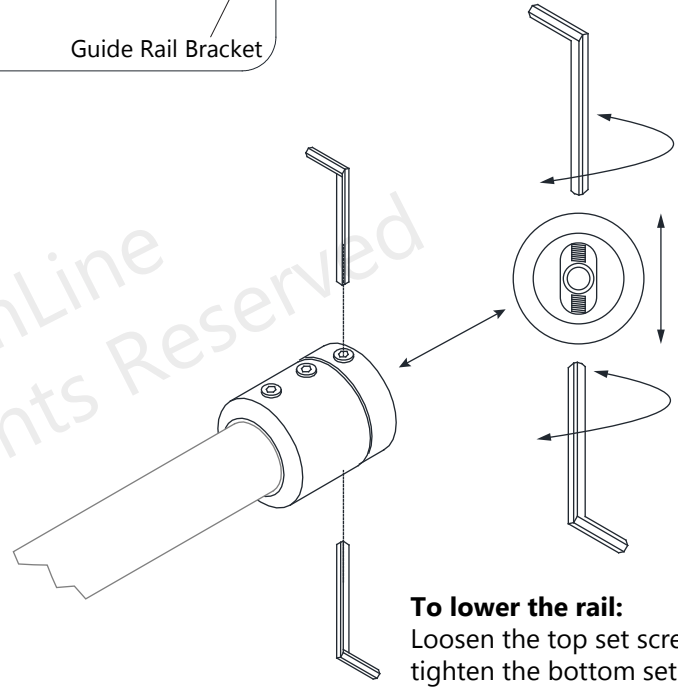
TIP: Adjust the installed **Upper Guide Rail (#03)** to level as necessary using the **Guide Rail Brackets (#08)** first and then the **Glass Brackets (#07)**. Start adjustments from the door end.



(Right hand door installation shown as example)



Lower guide rail Raise guide rail
Glass Bracket adjustments



To lower the rail:
Loosen the top set screw and tighten the bottom set screw.

To raise the rail:
Loosen the bottom set screw and tighten the top set screw.

NOTE: Use the **Guide Rail Bracket (#08)** set screws to adjust the **Guide Rail (#03)** to level.

15a. For the 48" or 60" model size: Measure the distance from the edge of the **Guide Block (#12)** to the wall. This distance will be "**X**". Cut the **Anti-Splash Guard (#15)** to the size of: **(X) + 3/8"**. (**Fig 15a**)

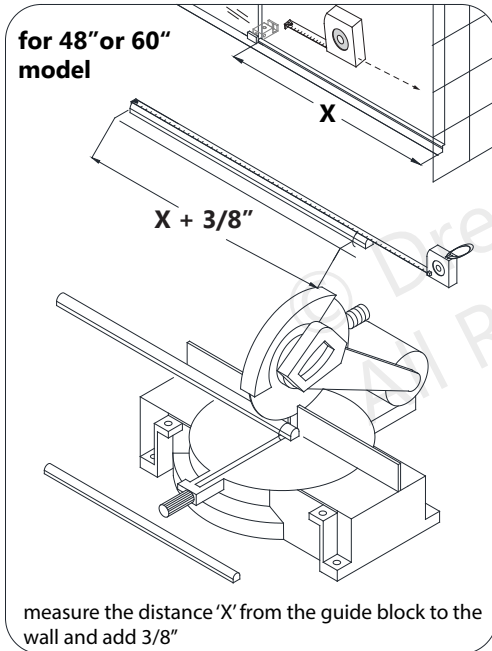


Fig 15a

15b. For the 72" model size: Measure the distance between the edge of the **Guide Block (#12)** to the **Small Stationary Glass Bottom Bracket (#22)**. This distance will be "**L**". Cut the **Anti-Splash Guard (#15)** to the size of: **(L) + 3/4"**. (**Fig 15b**)

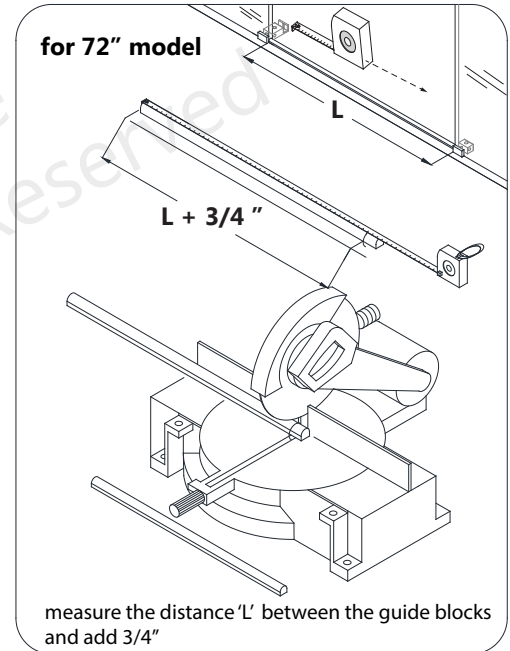


Fig 15b

16. Apply silicone to the bottom of the **Anti-Splash Guard (#15)**. Insert one end of the **Anti-Splash Guard (#15)** into the **Guide Block (#12)**. Align the **Anti-Splash Guard (#15)** parallel with the front edge of the shower base or threshold.

Cover the other end of the **Anti-Splash Guard (#15)** with the **Anti-Splash Guard Cap (#16)** against the wall (48" and 60" models) (**see Fig 16.4**). (**Fig 16**)

For the 72" model: Insert the **Anti-Splash Guard (#15)** into the **Small Stationary Glass Bottom Bracket (#22)**. (**Fig 16.5***)

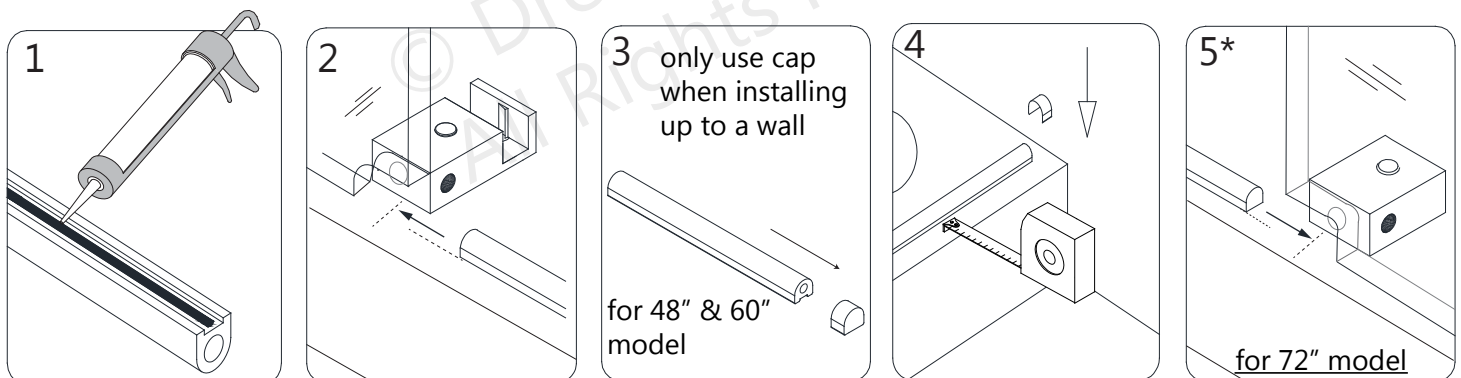


Fig 16

17. Secure the **Anti-Splash Guard (#15)** to the threshold with several pieces of painter's tape to hold it in position and tight to the threshold until the silicone fully cures. **(Fig 17)**

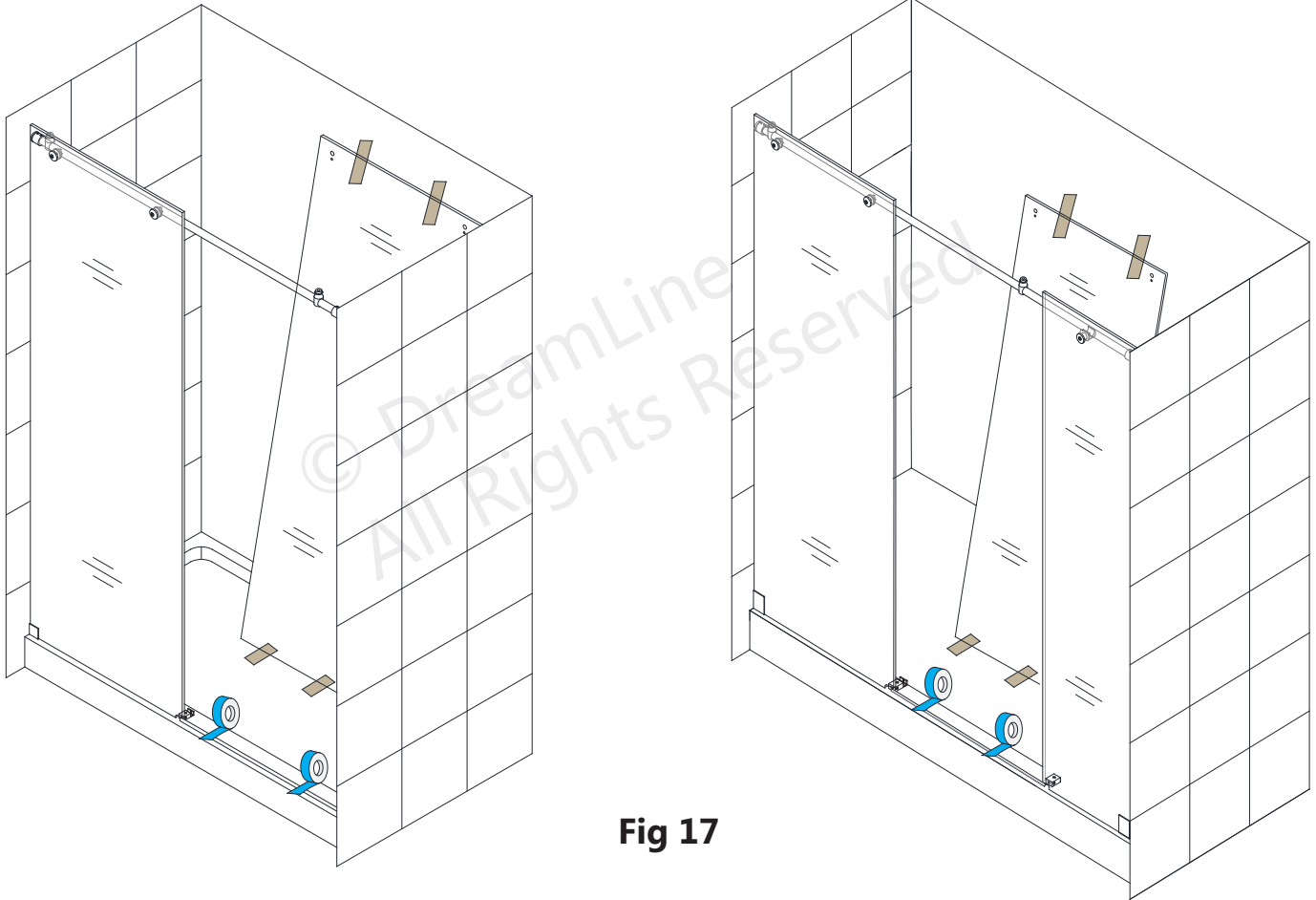


Fig 17

18. Attach the **Guide block face plate** to the installed **Guide Block (#12)** and tighten the set screw with the supplied allen wrench. Use the supplied Decorative caps to cover the screw holes. **(Fig 18)**

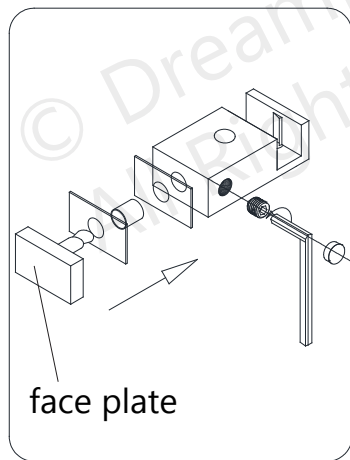
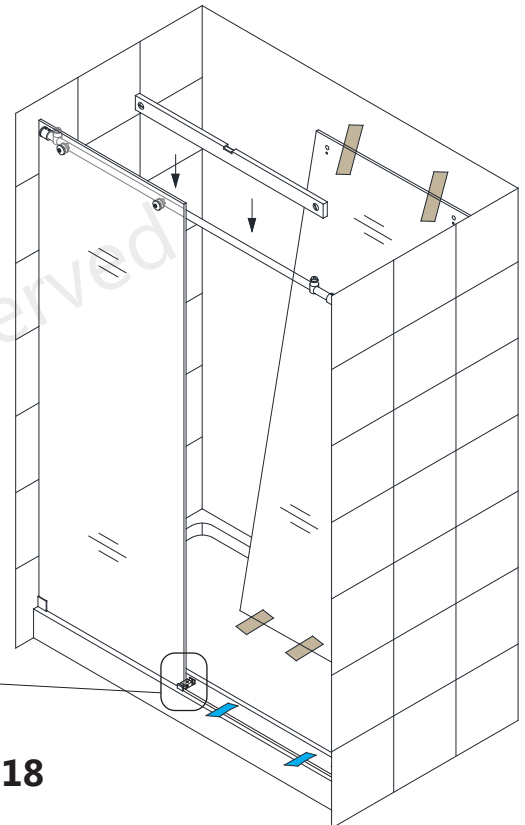


Fig 18



19. If installing the 72" model: attach the **Small Stationary Panel Glass (#23)** to the **Upper Guide Rail (#03)** using the **Small Stationary Glass Bracket (#21)**.

Attach the face plate to the **Wall Bracket (#19)** on the threshold (see Fig 19.5). (Fig 19)

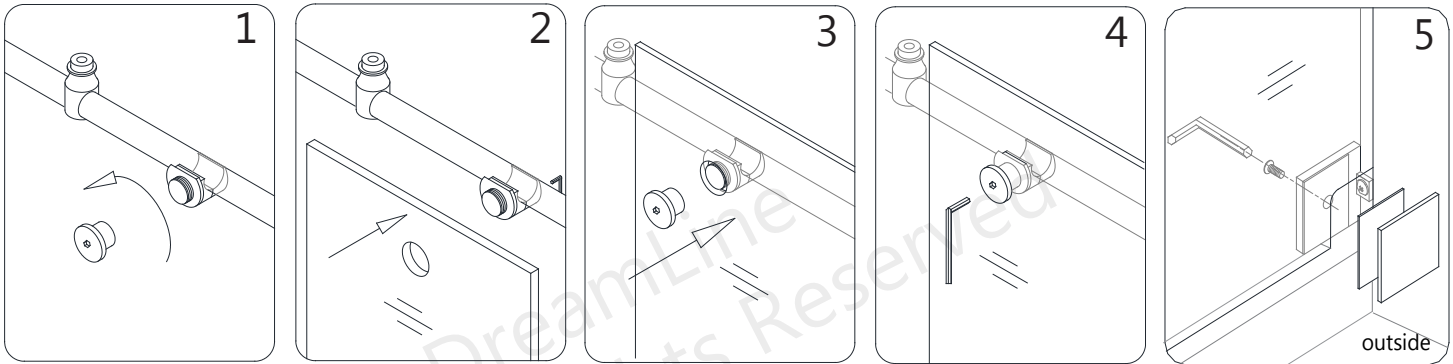


Fig 19

20. If installing the 72" model: Attach the **Guide block face plate** to the installed **Small Stationary Glass Bottom Bracket (#22)** and tighten the set screw with the supplied allen wrench. Make sure that the clear gaskets are in place to protect the glass. Use the supplied Decorative caps to cover the screw holes.

(Fig 20)

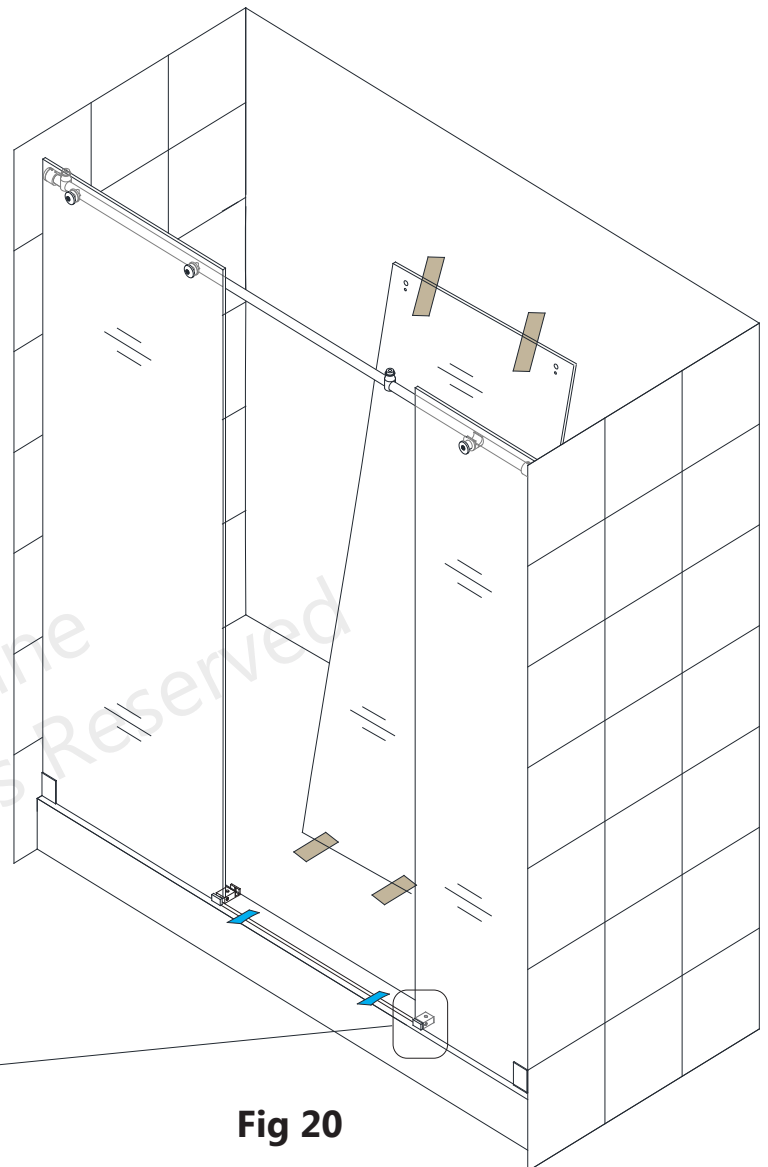
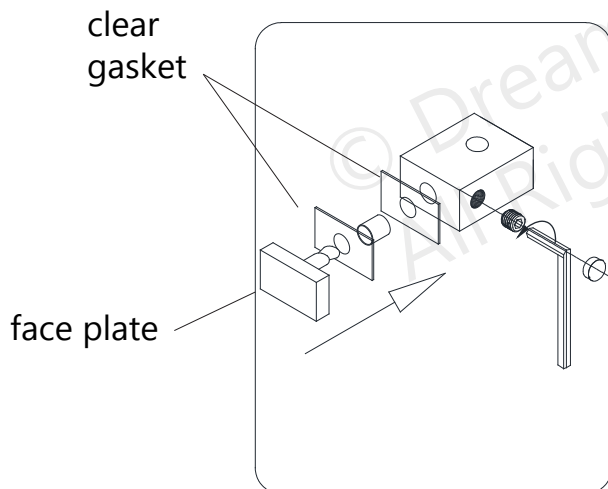


Fig 20



NOTE: DO NOT attach the handle to the door glass until instructed to do so.
DO NOT attempt to lift the door glass with the handle as this may result in damage to the glass and/or serious personal injury.

21. Attach the two **Rollers (#04)** to the **Door Glass (#05)** with the wheels facing outside of the shower. Align the **safety set screw** towards the top for easier access (**See Fig 21.5 and page 30 for details**).

Lift the door and position the **Rollers (#04)** onto the **Upper Guide Rail (#03)** while carefully sliding the bottom edge of the **Door Glass (#05)** into the groove of the **Guide Block (#12)**.

If necessary, adjust the disks on both **Rollers (#04)** to ensure that the bottom edge of the **Door Glass (#05)** does not touch the bottom of the **Guide Block (#12)** and the bulb vinyl seals evenly with the wall. (**see details on page 30**). (**Fig 21**)

Note: The adjustment disks in the wheels are the same as the disks in the Glass brackets and can be rotated to adjust the door glass to create a seal with the wall. **See detailed description on page 30.**



TIP: Mark the location of the high spot on the outer surface of the adjustment disk with a felt tip pen to make adjustment easier to see.

TIP: Use a 3/16" shim beneath the door glass when adjusting the level of the door so that the glass does not make contact with the guide block.

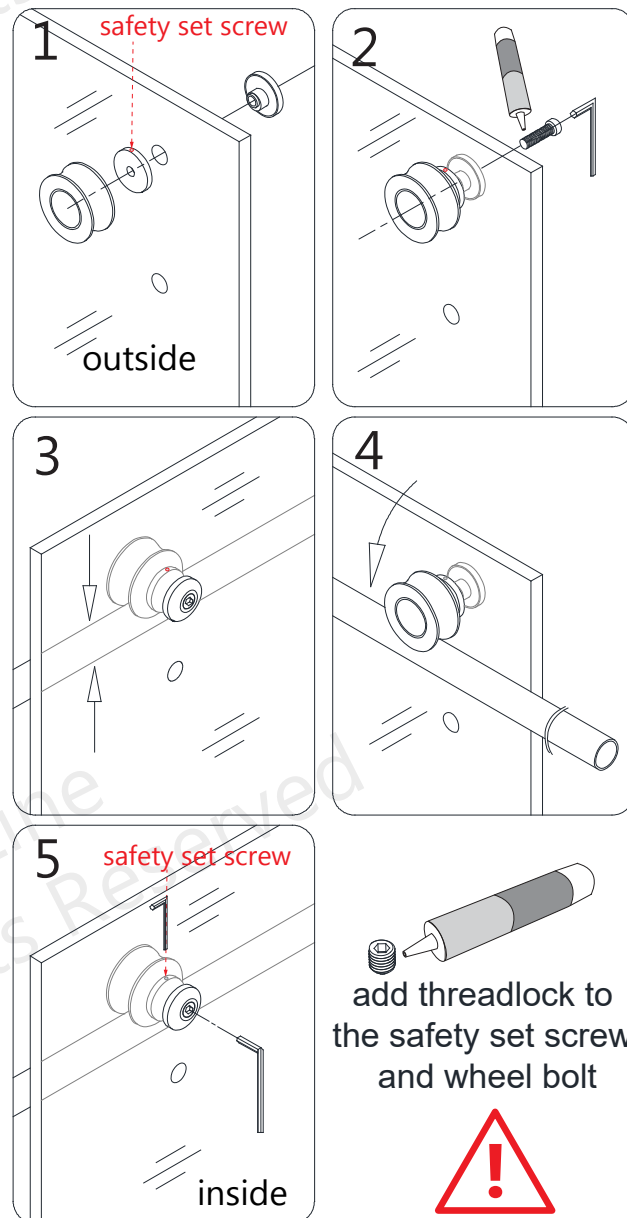
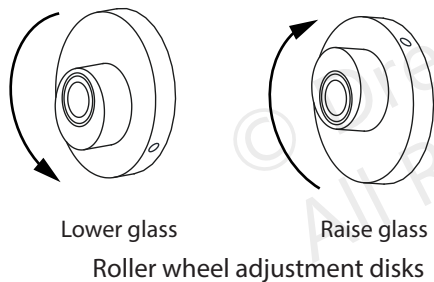
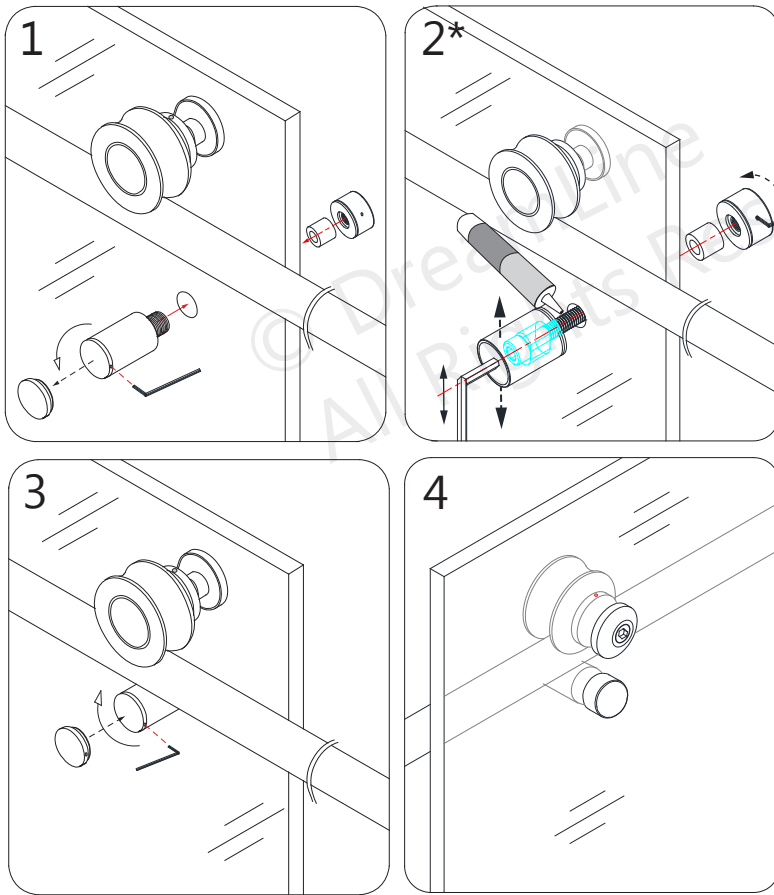


Fig 21

22. Attach the two **Roller Guards (#29)** onto the door to secure the door to the **Upper Guide Rail (#03)**. **Apply Thread Lock Adhesive (#26) to the bolts.** Leave no more than a **1/16" gap** between the **Roller Guards (#29)** and the **Upper Guide Rail (#03)**. Tighten the bolt and screw on the cap. (**Fig 22a**)



TIP: Position the roller guard 1/16" below the rail, hold the roller guard bolt with the allen wrench and tighten the interior post using the small allen wrench (**Fig 22.2***)

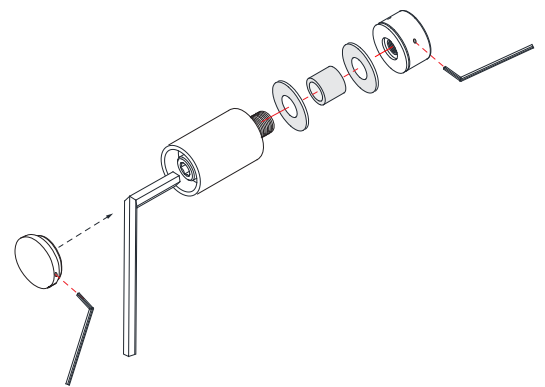
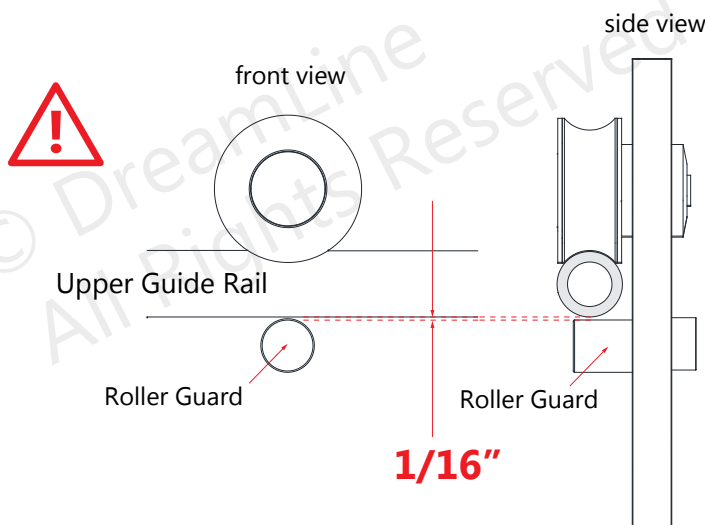


Fig 22a





Note: The Safety set screw on both wheels MUST BE re-tightened after installation to prevent the large bolt from coming loose. Apply thread lock during installation. (See details Fig 22b and also on Page 30)

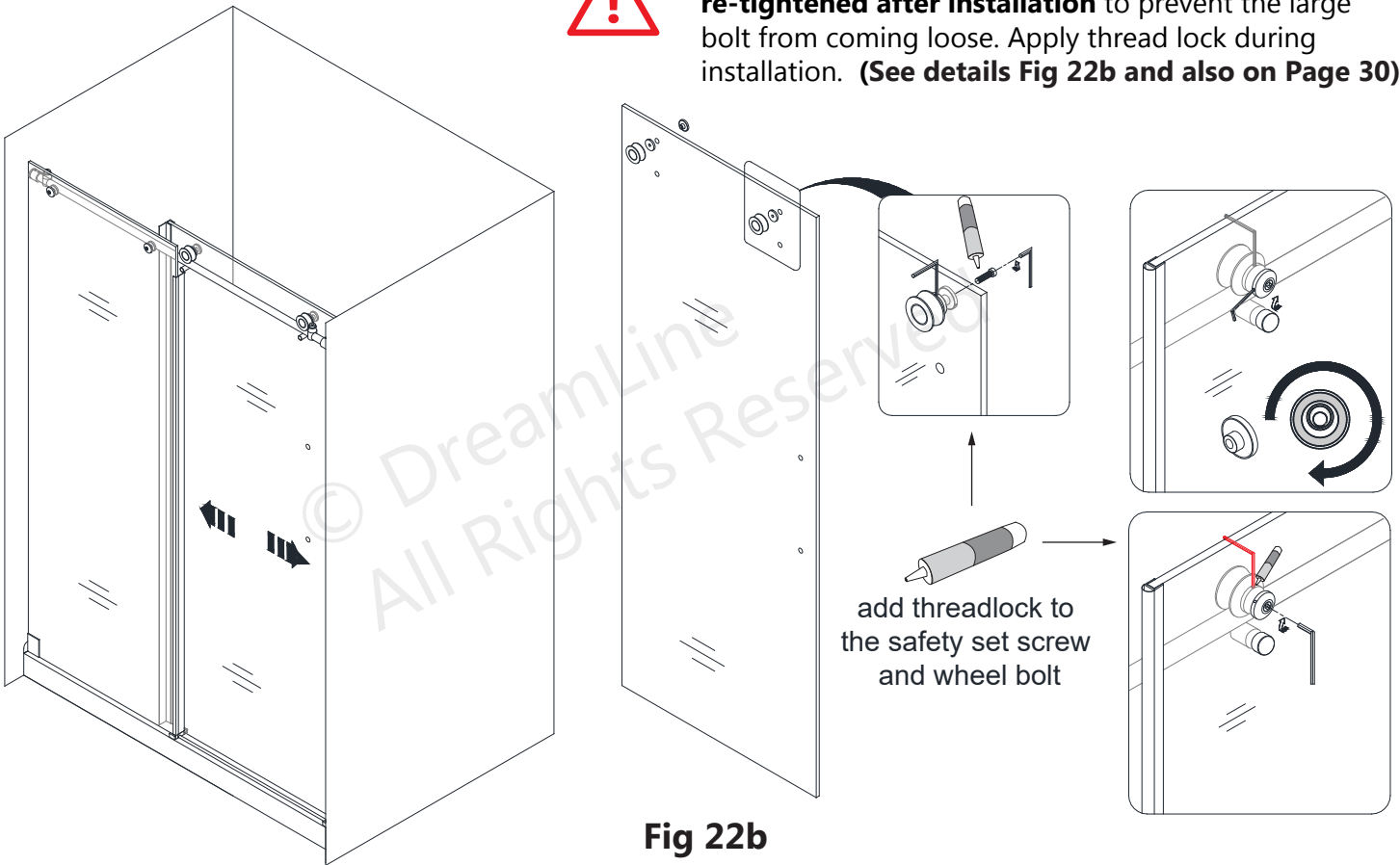


Fig 22b

23. Press the **Anti-Water Strip (#14)** onto the vertical edge of the **Stationary Glass (#02)** and the **Door Glass (#05)** (Fig 23.1).

Press the **Bumper Strip (#13)** onto the vertical edge of the **Door Glass (#05)** (48" and 60" model). (Fig 23.2)

For the 72" model: Attach **Anti-Water Strip (#14)** to the edge of the **Small Stationary Glass (#23)**. The **Bumper Strip (#13)** is not necessary with the 72" model (Fig 23.3*).

Attach the **Handle (#06)** to the **Door Glass (#05)**. (Fig 23)



NOTE: Use a razor knife to trim the **Anti-Water Strip (#14)** at the top to avoid interfering with the **Roller Guards (#29)** and at the bottom where the door meets the **Bumper (#30)**.

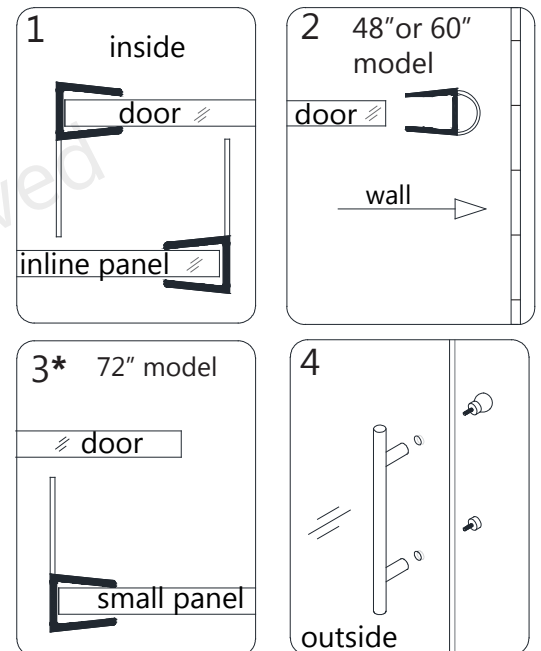


Fig 23

(Right-hand door installation shown as an example)



24. Position the **Door Stoppers (#01)** and screw them tightly to the **Upper Guide Rail (#03)**.

NOTE: The **Door Stoppers (#01)** must be positioned correctly to prevent the handle from contacting the **Stationary Glass (#02)** (48", 60" & 72" models) and to stop the **Door Glass (#05)** in a position that allows the bumper strip to create an even seal with the wall, but does not allow the door glass to bang into the wall during normal operation (**48" & 60" models**). (**Fig 24a and Fig 24b**)

***For the 72" model:** Install the door side stopper in a position to prevent the handle from making contact with the small inline panel glass when the door is in the closed position. (**Fig 24b.7**)

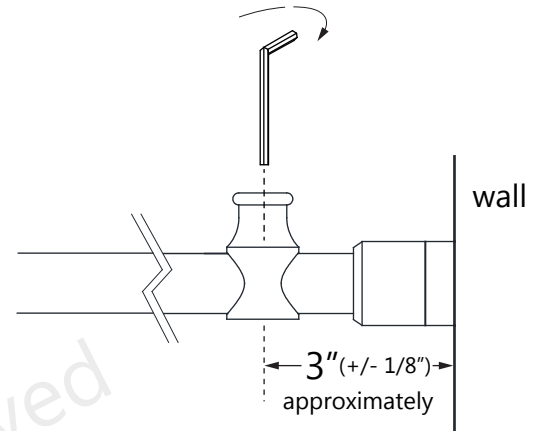
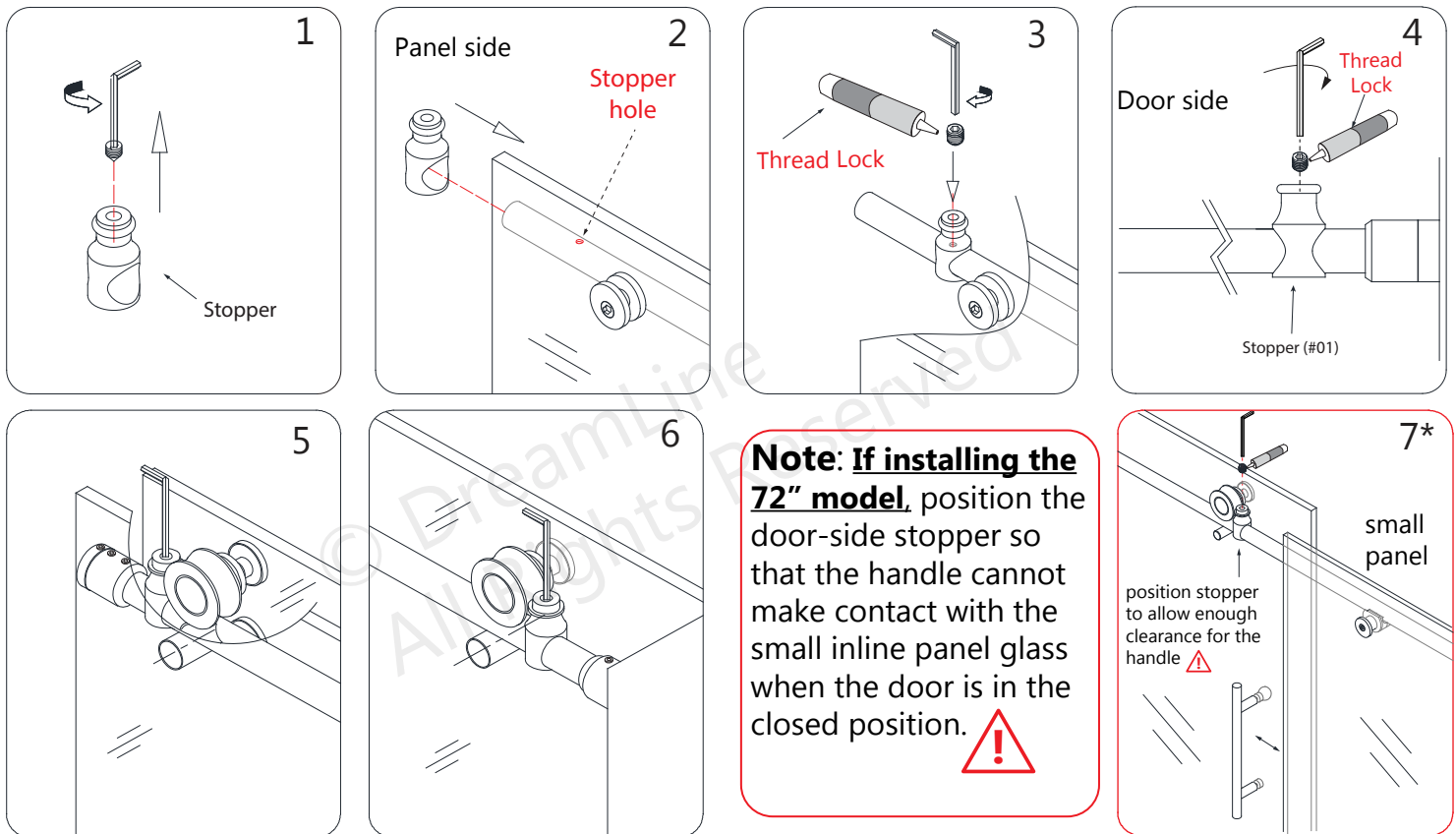


Fig 24a

door side of opening
48" and 60" models

Door Stopper Installation:

1. Remove the set screw
2. Slide the **Door Stopper (#01)** onto the **Upper Guide Rail (#03)**
3. Align with stopper hole (stationary panel side only)
4. Apply **Thread Lock Adhesive (#26)** to the set screw threads
5. Tighten screw into the stopper hole (stationary panel side only)
6. Correctly position the door side stopper and tighten the set screw with **Thread Lock Adhesive (#26)** (**Fig 24b**)



(ENIGMA-X Right hand door
installation shown as an example)

Fig 24b

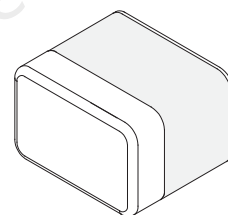
**72" model with Right hand
door installation**

25. Install the **Bumper (#30)** onto the threshold and against the wall on the stationary panel side of the installation. (**For 72" model**, this will be the side of the opening with the large stationary panel) Remove the 3M Tape and position the **Bumper (#30)** onto the threshold against the **Wall Bracket (#19)**. (**Fig 25**)



NOTE: The surfaces need to be clean and free of construction debris before installing the bumper. Wipe the area with an alcohol swab before installation

TIP: Install the **Bumper (#30)** using the **3M** tape. Screwing the bumper to the wall using a **5/16"** hole and anchor is optional (see step 26).



The **Bumper (#30)** is reversible for Left (as shown below from inside the shower) or Right wall installation

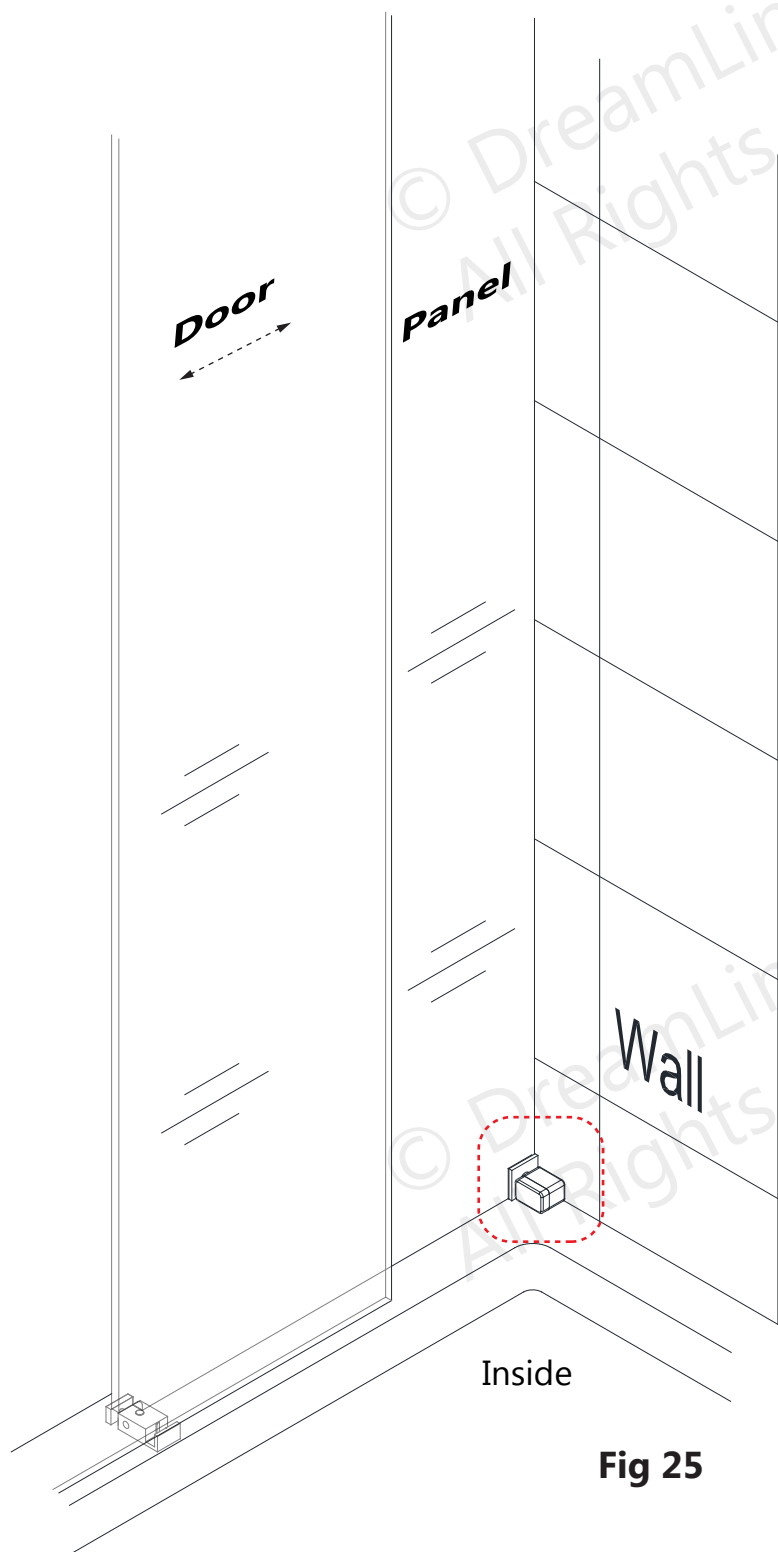
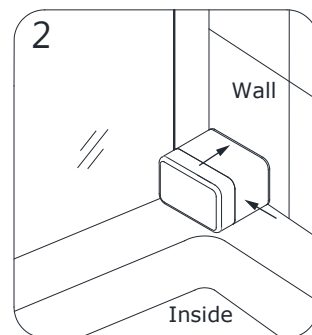
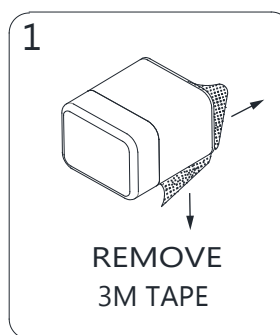


Fig 25

26. To install the **Bumper (#30) with the screw method, position the Bumper (#30)** onto the threshold and against the wall on the stationary panel side of the installation. (**For 72" model**, this will be the side of the opening with the large stationary panel). and mark the position of the hole onto the wall. Drill a 5/16" hole and insert the **Anchor (#9b)**. Remove the 3M Tape and position the **Bumper (#30)** onto the threshold against the **Wall Bracket (#19)** and attach using the **ST4.2 x 40 Countersunk Screw**. (**Fig 26**)



NOTE: The surfaces need to be clean and free of construction debris before installing the bumper. Wipe the area with an alcohol swab before installation

NOTE: Use caution when using the screw method to not crack the wall/tile and to avoid any plumbing behind the wall.

The **Bumper (#30)** is reversible for Left (as shown below from inside the shower) or Right wall installation

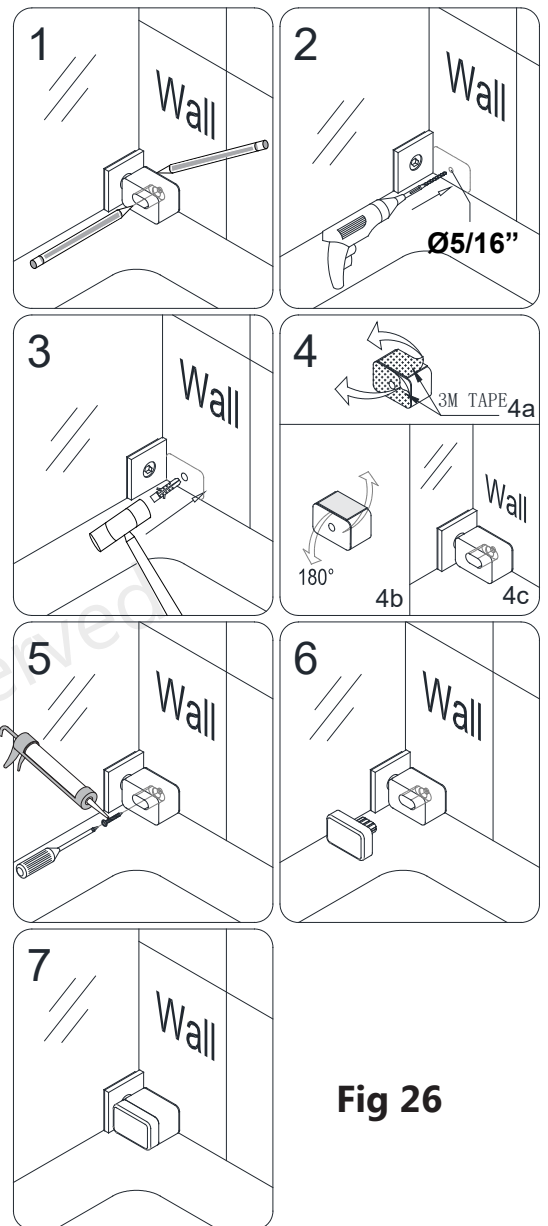
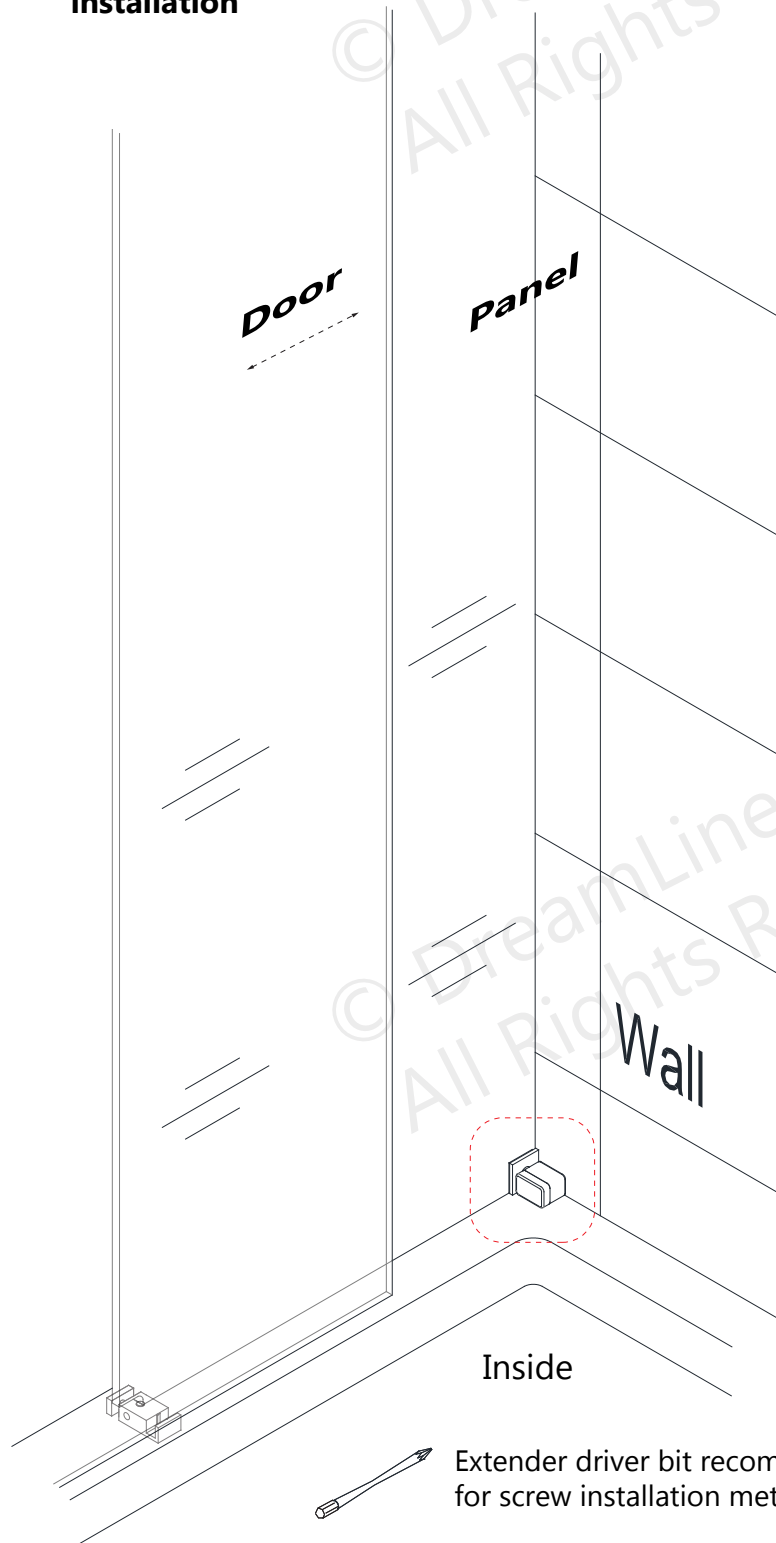


Fig 26

27. Apply a good quality mildew-resistant silicone along the interior perimeter where the glass meets the wall and threshold and also along the **Anti-Splash Guard (#15)**. **(Fig 27)**



Allow 24 hours for the silicone to cure before using the shower.

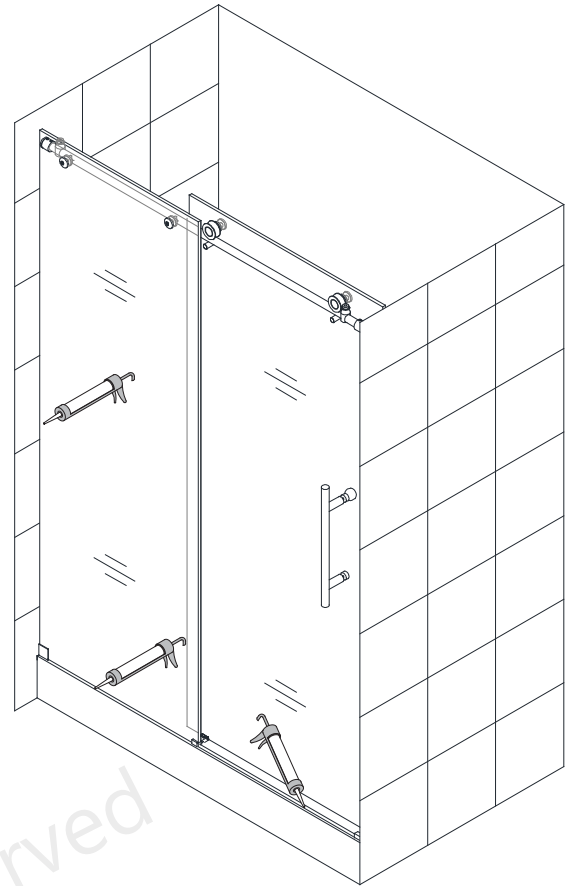
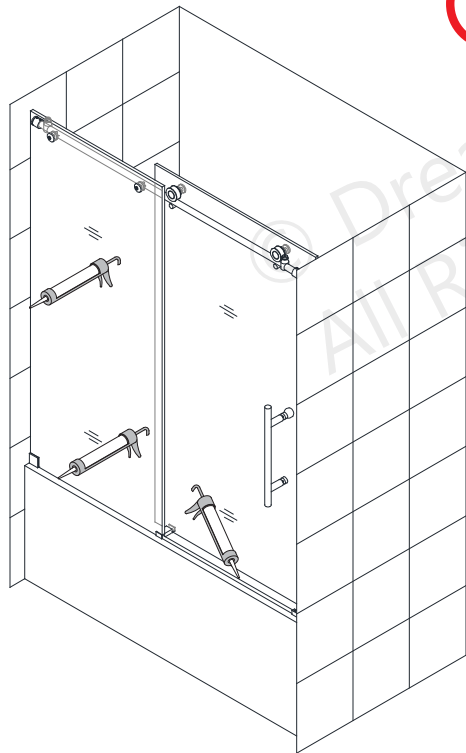
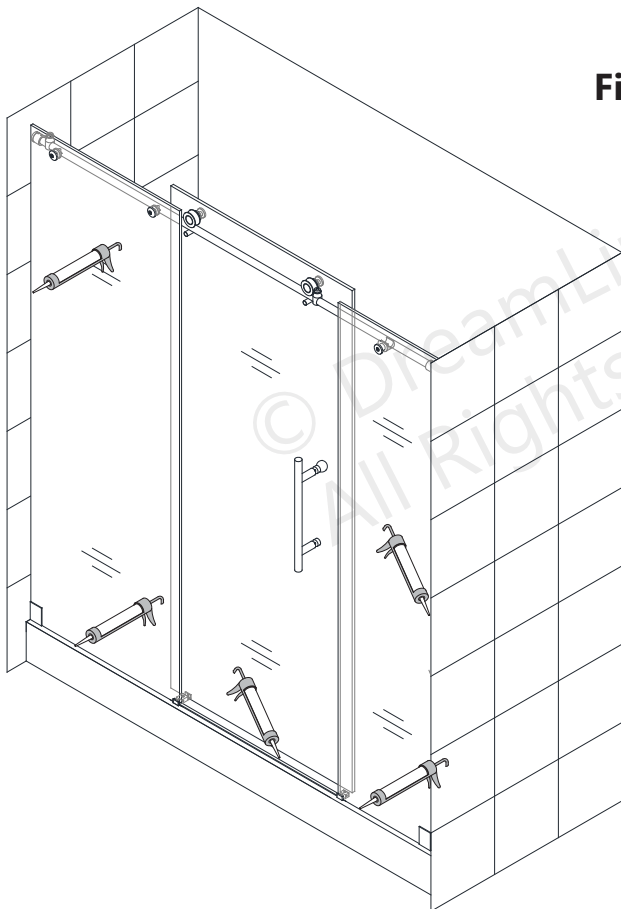


Fig 27



Do Not hang or drape a towel or wash cloth over the Enigma guide rail as this may cause the roller wheels to get stuck and possibly cause serious damage or injury.

Roller adjustment procedure for: Enigma, Enigma-X, Enigma-XO

To create a good seal with the wall and to achieve minimal clearance beneath the door glass without making contact with the bottom guide block or threshold.

Have at least two 3/16" shims or wedge shims (to maintain space beneath the door glass) and an assistant available to help with this procedure.

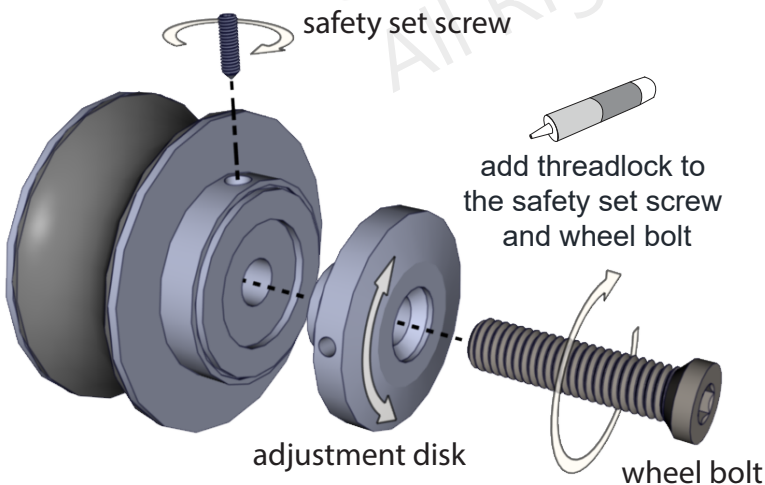
Adjust only one wheel at a time. You may need to perform these steps more than once to get the desired results.

NOTE: Be sure to install the Bulb Vinyl Seal onto the edge of the door glass to protect the edge from contact with the wall during installation or adjustment.

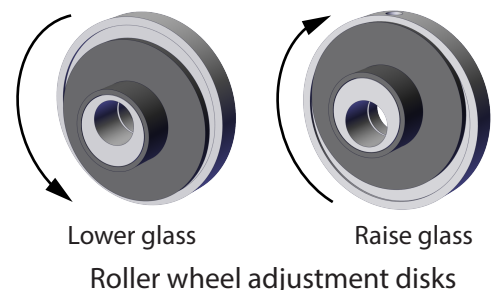


CAUTION: The door glass is heavy and may require two people to safely accomplish these steps. **Do Not** adjust the rollers without first securing the door glass with shims, an assistant or both.

1. First, loosen and lower either the Roller Guards (Enigma-X) or Bottom Rollers (Enigma/Enigma-XO) to allow enough room to adjust the upper rollers. (If you have not installed these yet, you will be instructed to in **step #7** below after these adjustments are made)
2. Loosen the safety set screw on the roller (remove and apply a drop of thread lock if not done already)
3. Loosen the wheel bolt just enough so that you can rotate the adjustment disk. (remove and apply a drop of thread lock if not done already)
4. Rotate the adjustment disk to raise or lower the door slightly with help from an assistant. You can use a small tool (like an allen wrench) to aid in turning this disk by inserting it into the small hole on the edge of the adjustment disk.
5. While holding the adjustment disk in place, retighten the wheel bolt. Use a shim or have an assistant hold the door glass in place while you retighten the wheel bolt.
6. Once satisfied with the adjustment, **it is very important to re-tighten the safety set screw** to secure the wheel bolt in place.
7. For the Enigma-X: Reposition the roller guards approximately 1/16" beneath the guide rail and retighten. For the Enigma and Enigma-XO: adjust the lower rollers to make contact with the guide rail using the same methods as described in the steps above.



The provided Thread Lock will remain workable for approximately 10-15 minutes before drying.



Product Maintenance

BASES and BACKWALLS: To ensure long lasting life for your acrylic back walls: wipe them off after each use with a soft cloth. To clean the acrylic back walls use non-abrasive sprays or cream based cleaners. Avoid the use of aerosol spray cleaners. Never use abrasive cleansers, metal brushes or scrapers that could scratch or dull the surface.

GLASS: To ensure long lasting life for your glass shower products: wipe them off after each use with a soft cloth. Rinse and wipe off the glass using either a soft cloth or a squeegee to prevent soap buildup and water spots (Hard water can etch the surface of the glass over time if left to dry). To prevent scratching the surface: never use abrasive cleaners or cleaning products that contain scouring agents. Never use bristle brushes or abrasive sponges that may scratch the surface.

HARDWARE: To ensure a long lasting finish: wipe off the metal parts after each use with a soft cloth. Do not use abrasive cleaners or cleaning products containing ammonia, bleach or acid. If accidentally used, rinse the surface as soon as possible to prevent damage to the finish (peeling or corrosion). After cleaning the polished finishes, rinse thoroughly and wipe dry with a soft cloth. Clean stainless steel surfaces at least once a week. When applying stainless steel cleaner or polish to stainless steel hardware, work with (not across) the grain. Never use an abrasive sponge or cloth, steel wool or wired brush as these may permanently scratch the surfaces.

NOTE: To maximize the life of your door, it is important to regularly inspect the glass and other hardware for misalignment, proper attachment, and/or damage. Contact DreamLine® with any questions or concerns.

Enigma-X Maintenance checklist

- Guide rail** level and tight
- Guide rail brackets** tight to the walls
 - o All set screws tight
- Panel glass** secure
- Panel glass brackets** tight
- Guide block** square to the threshold and glass
- Proper clearance beneath the door glass between the threshold and within the guide block
- Door Glass** adjusted so that the **Bulb vinyl seal** makes even contact with the wall
- Wheel assemblies** tight
 - o Wheel **roller bolts** tight
 - o Wheel assembly **safety set screws** tight and accessible
- Stoppers** tight and positioned correctly
 - o **Panel-side stopper** installed into the pre-drilled hole in the guide rail
 - o Adequate **Handle clearance** when the door is fully open
 - o **Door-side stopper** positioned at approximately 3" (+/- 1/8") (as measured from the wall to the center of the stopper)
- Stopper stops the door and bulb vinyl seals to the wall
- SafeStop bumper** secure to the wall
- Roller guards** positioned within 1/16" beneath guide rail
- Remove vinyl seals to **inspect the edges of the door glass** for concealed damage
 - o **Damaged glass must be replaced!**
- Replace damaged or missing vinyl seals

© DreamLine
All Rights Reserved



© DreamLine
All Rights Reserved

TEL: 866-731-2244
FAX: 866-857-3638
DREAMLINE.COM

For more information on DreamLine[®] Shower Doors and Enclosures please visit **DreamLine.com**