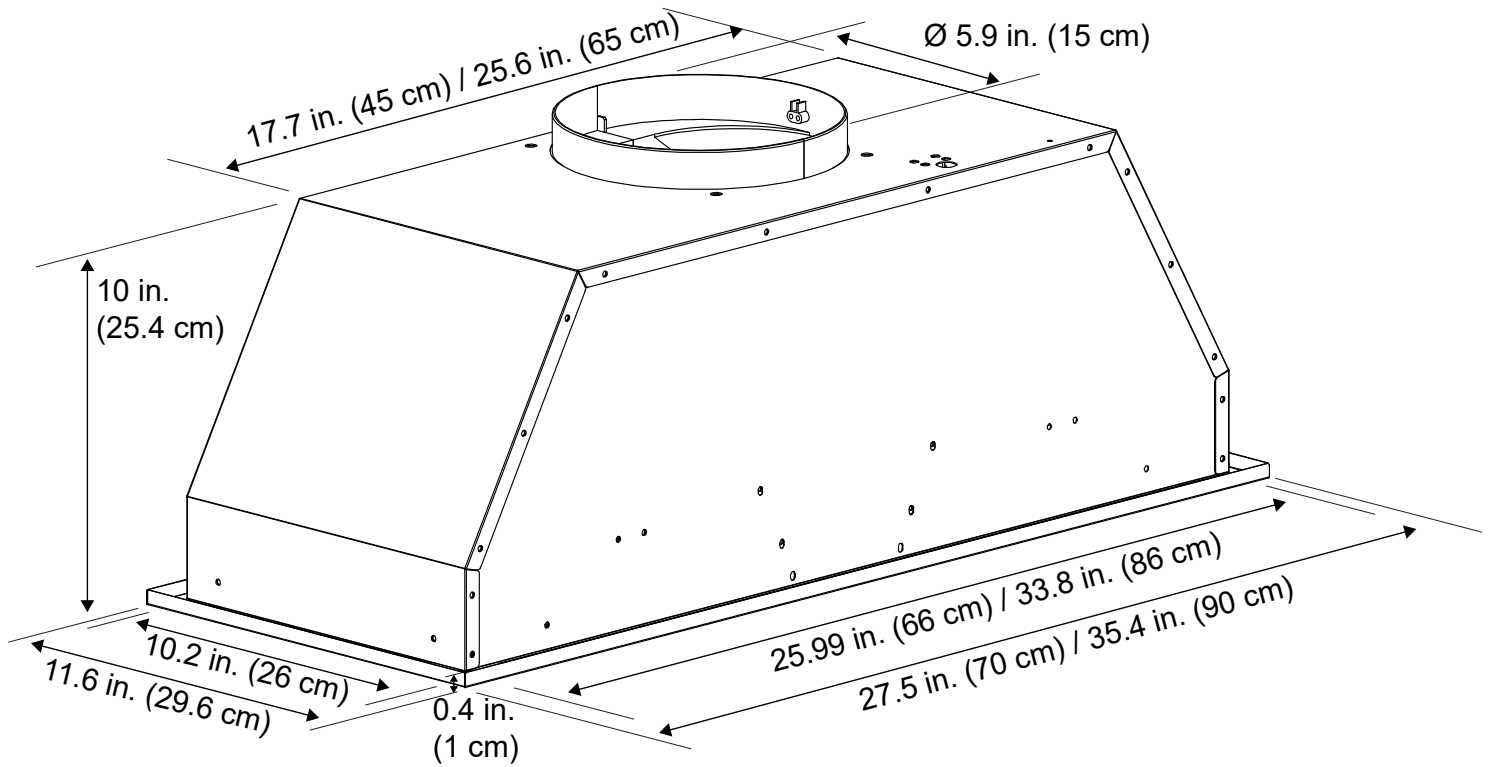


# Range Hood Dimensions



## Specifications

Body Design	Stainless Steel
Power Rating	120 V / 60 Hz (cULus Certified)
Total Input Power	405 W (400 W + 2 x 2.5 W)
Motor Input Power	400 W
Amperage	3.4 A
Speed Control Levels	3 Speeds
Interference Protection	Radio Frequency Interference Protected
Motors	Single Motor
Control	Electronic control panel
Filtration	Decorative Filter
Illumination	2 x 2.5 W LED
Venting Size	Top, 6 inches (15.3 cm) Round

# Operation



Lamp



Auto



Timer



Decrease



Increase



Power (On/off)

**NOTE:** When the hood has been initially connected to the Power or after a Power Failure, all indicators turn **ON** for **1 second** then **OFF**, the hood is in **Standby** condition.

Once the hood is connected with electricity, if wires for the control are not well connected or control board has poor connection or malfunction, buzzer will emit **Six Beeps**. You must then disconnect the hood from the Power, fix the problem and reconnect the hood.

## Lamps

(with 3 luminance setting + auto mode)

- 1 Press **once**:  
Lamps turn **ON** with **High** luminance.  
Indicators for are **ON**.
- 2 Press **second time**:  
Lamps turn **ON** with **Low** luminance.  
Indicators for are **ON**.
- 3 Press **third time**:  
Lamps turn **ON** with **Night-Light** luminance.  
Indicators for are **ON**.
- 4 Press **fourth time**:  
Lamps will turn **OFF**.  
Indicator for is **OFF**.

Cycle is: "**High** luminance - **Low** luminance - **Night-Light** luminance - lamps **OFF** - **High** luminance ..."

## Auto Night-Light

- 5 Press **once**:  
You will hear a "**Long audible beep**",  
Lamps now work in **Auto Night-Light** mode.  
Indicators for are **ON**.
- 6 Press **second time**:  
You will hear a "**Short audible beep**",  
**Auto Night Light** mode is disabled.  
Indicator for is **OFF**.

**NOTE:** When light sensor detects the room is dark, lamps will turn on to **Night-Light** luminance. When light sensor detects the room is less dark, **Night-Light** will turn **OFF** automatically. And cycle repeats again and again.

## Power

- 1 Press **once**:  
Fan starts to work at **1st-speed**.  
Indicators for are **ON**.
- 2 Press **second time**:  
Fan will turn **OFF**, hood is in **Standby** condition.  
All indicators are **OFF**.

## Fan (with 3 speed setting)

- 1 Press or **once**:  
Fan starts to work at **1st-speed** (minimum speed).  
Indicators for are **ON**.
- 2 Press **second time**:  
Fan will work at **2nd-speed** (medium speed).  
Indicators for are **ON**.
- 3 Press **third time**:  
Fan will work at **3rd-speed** (maximum speed).  
Indicators for are **ON**.
- 4 Press **once**:  
Fan will work at **2nd-speed**.  
Indicators for are **ON**.
- 5 Press **second time**:  
Fan will work at **1st-speed** (minimum speed).  
Indicators for are **ON**.
- 6 Press **third time**:  
Fan will turn **OFF**. Indicators are **OFF**.  
Indicator is **OFF** (if lamps are **OFF**).

## Timer

You can only activate the **TIMER** function when **Fan** is working. **TIMER** will not function with **only Lamps ON**. **TIMER** is fixed for **3 minutes delay OFF**.

- 1 Press **once** when **Fan** is working at any speed:  
Fan will work continuously for 3 minutes, then Fan will **shut OFF automatically**.
- 2 Press **again** before the end of 3 minutes, and **TIMER** will be deactivated.
- 3 After activating the **TIMER**, if you change the **FAN** speed, **TIMER** will be deactivated instantly.

**IMPORTANT:** When Lamps and/or Fan are working ...  
Pressing once will turn them **OFF instantly!**