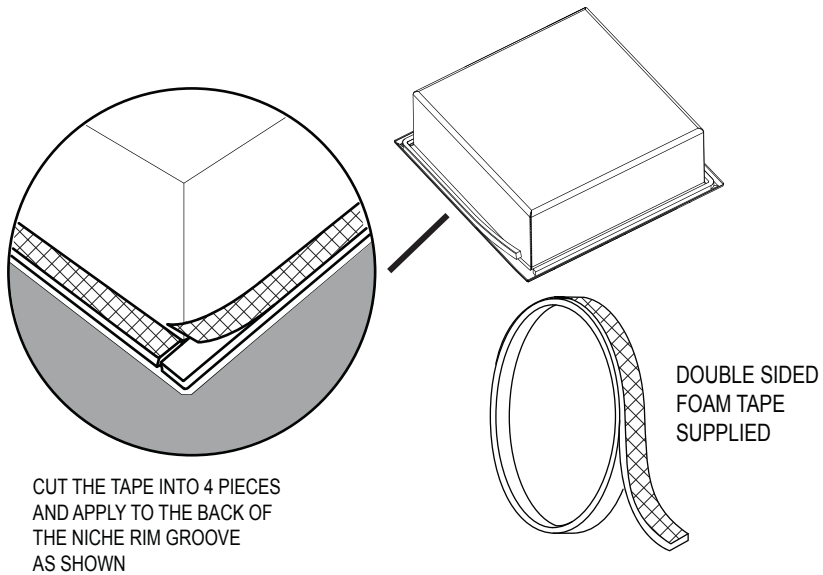
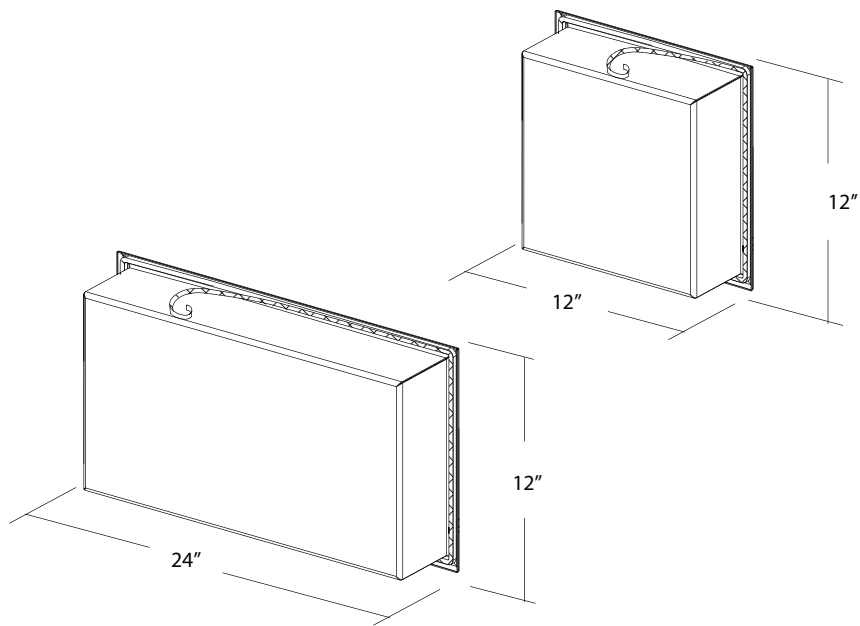


STEP 1

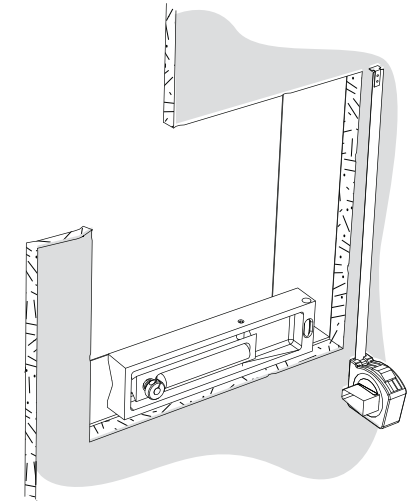
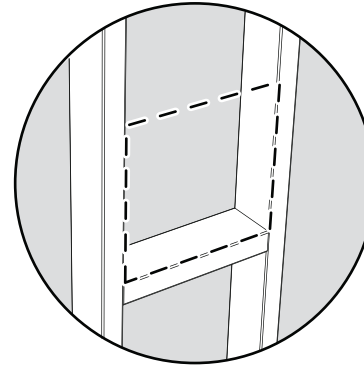


STEP 2



STEP 3

* Boxing the hole with stud recommended for maximum support as shown below



* MUST refer to the specification when cutting the hole.

STEP 4

