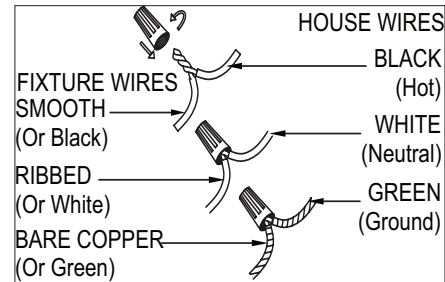
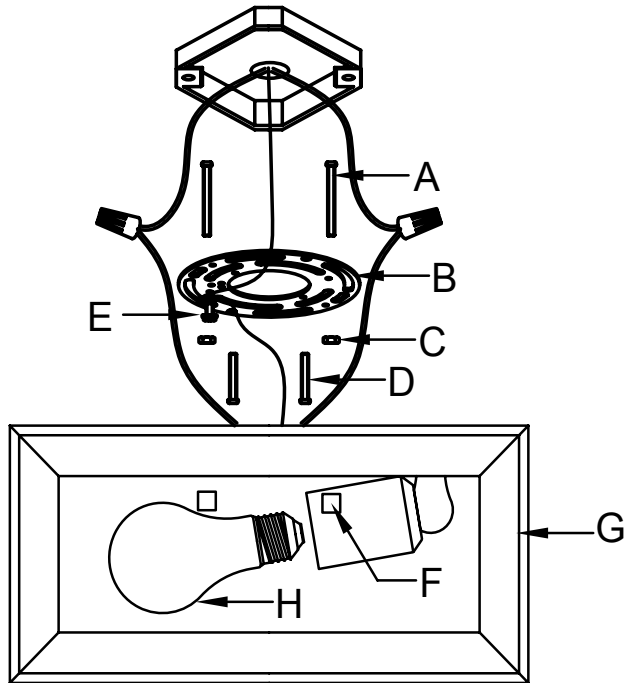


Assembly Instructions: 2073-FM (Smyth)

IMPORTANT:

- ALL INSTALLATION WORK SHOULD BE DONE BY ACCREDITED PROFESSIONAL.
- SHUT OFF POWER SUPPLY AT FUSE OR CIRCUIT BREAKER!
- USE ONLY THE SPECIFIED BULBS. DO NOT EXCEED THE MAXIMUM WATTAGE!

For Customer Service, contact the place of purchase to arrange for replacement parts.



PREPARING FOR INSTALLATION

Remove all of the contents from the carton. See the important notes above. Shut off the power at the circuit breaker and completely remove the old fixture from the ceiling, including the old mounting strap.

Mounting strap (B) contains several pairs of threaded holes. Find the pair of holes that matches the spacing of the holes on the junction box. Two of mounting screws (A) should be attached to mounting strap (B). You may need to tighten the nuts (C) that hold these screws in place. Place mounting strap (B) over the junction box so that mounting screws (A) are pointing down. Secure mounting strap (B) to the junction box with mounting screws (D) and a screwdriver. Tighten the screws securely.

CONNECTING THE WIRES

Have an assistant or assistants support the fixture weight while completing the wiring. Cut away excess wire. Attach the fixture's wires to the power supply wires from the junction box. Connect black to black (or smooth); white to white (or ribbed); ground to ground (green or copper). Twist the ends of the wire pairs together, then twist on a wire connector. Make sure all twists are in the same direction. If there is no ground wire (green or copper) from the junction box, locate ground screw (E) on mounting strap (B) and wrap the fixture ground wire around the green ground screw (E). Use a screwdriver to secure ground screw (E) onto the mounting bracket. Tuck all wires neatly into the junction box.

FINISHING THE INSTALLATION

Raise the top of fixture body (G) to the ceiling. Position mounting screws (A) so that they protrude through the openings of fixture body (G). Secure the top of fixture body (G) to the mounting strap by screwing decorative nuts (F) onto mounting screws (A). Tighten securely.

Install light bulbs (H) (not included) in accordance with the fixture's specifications.

Your installation is complete. Turn on the power and test the fixture.

CLEANING TIPS

Treat the fixture gently! Regular cleaning will reduce the need for deep cleaning. For regular cleaning, turn off the light and wipe down the fixture with a clean lint-free cotton or microfiber cloth. Never spray cleaner directly onto the fixture.