



PLATFORM BED FRAME

ATLANTIC FURNITURE

ASSEMBLY INSTRUCTIONS

Before assembling your Platform bed frame, please read through these instructions carefully, familiarize yourself with the different parts.

Instructions apply for all sizes of bed
> Twin > Full > Queen

PARTS LIST

- 1 MID RAIL 1 PC
- 2 LEFT LEG 1 PC
- 3 RIGHT LEG 1 PC
- 4 LONG RAIL 2 PCS

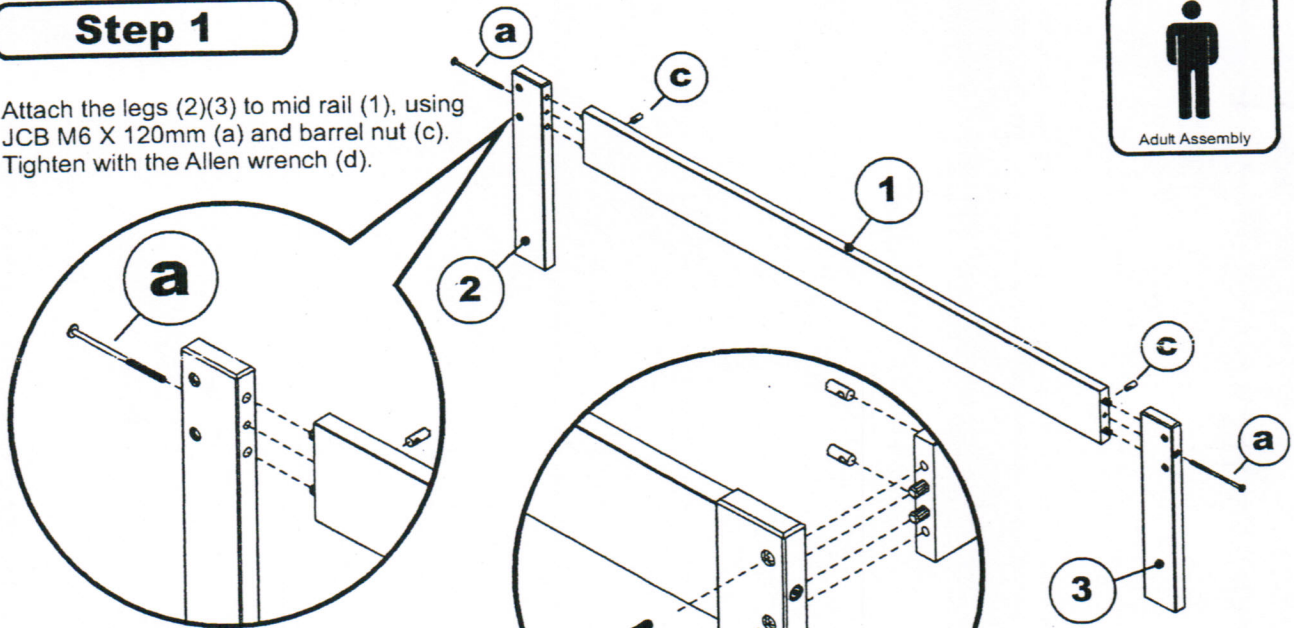
HARDWARE

- a JCB M6 X 120mm(4 3/4") - 2 pcs
Spare - 1 pc
- b JCB M6 X 70mm(2 3/4") - 4 pcs
Spare - 1 pc
- c Barrel Nut - 6 pcs
Spare - 2 pcs
- d Allen Wrench - 1pc
Spare - 1pc

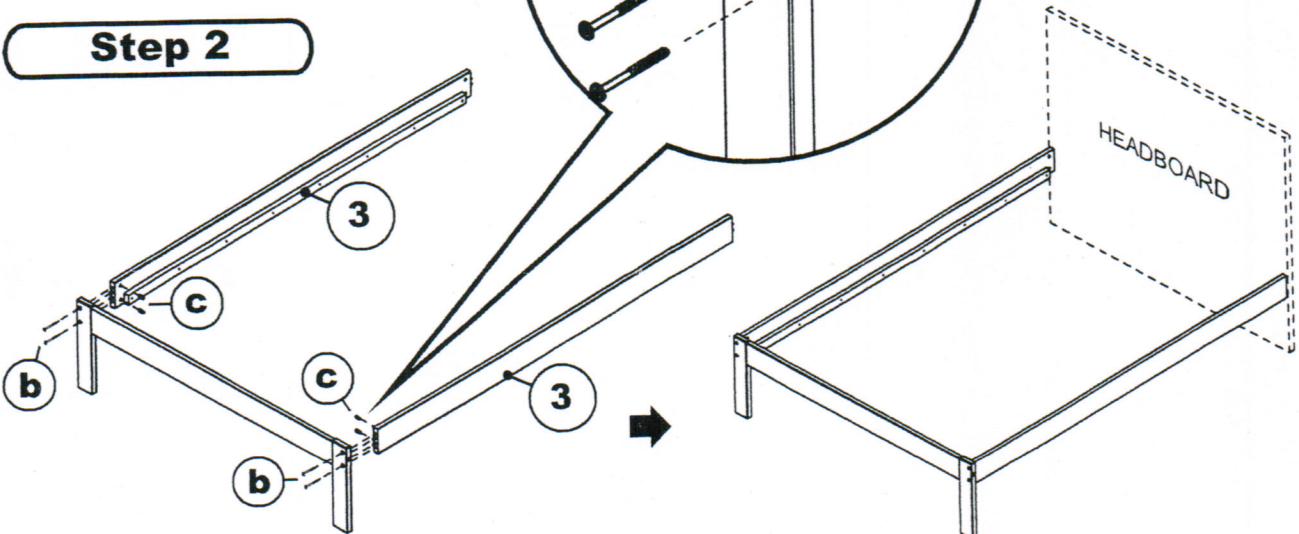
NOTE: WE INCLUDE SPARE HARDWARE IN CASE THE ALLEN WRENCH, JCB, OR BARREL NUT ARE DAMAGED DURING ASSEMBLY.

Step 1

Attach the legs (2)(3) to mid rail (1), using JCB M6 X 120mm (a) and barrel nut (c). Tighten with the Allen wrench (d).



Step 2



Attach long rail (3) to the mid rail assemblies, using JCB M6 X 70mm (b) and barrel nut (c) as shown. Tighten with allen wrench (d). For Headboard assembly, follow assembly instructions included with headboard.