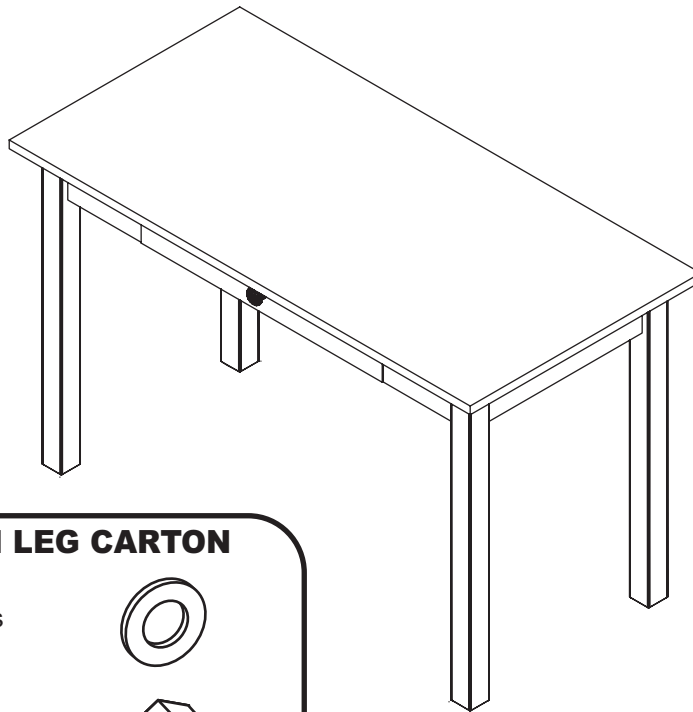




COMPUTER WORK TABLE TOP PANEL WITH DRAWER ATLANTIC FURNITURE



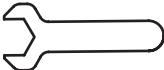
ASSEMBLY INSTRUCTIONS

Before assembling your Work table, please read through these instructions carefully, familiarising yourself with the different parts.



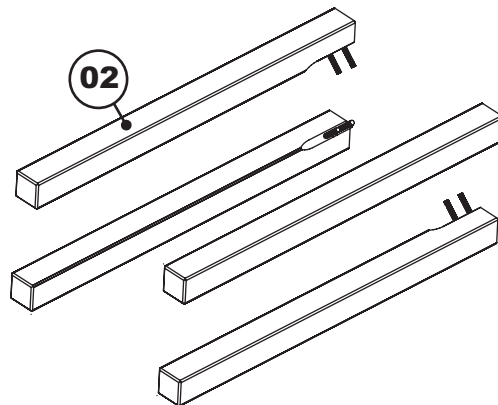
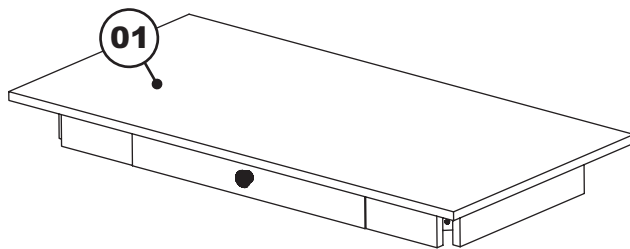
WORK TABLE SHOWN WITH SQUARE LEG

HARDWARE IN LEG CARTON

- A** Flat washer - 8 pcs 
- B** Hexagon nut - 8 pcs 
- C** Hexagon wrench - 1 pc 

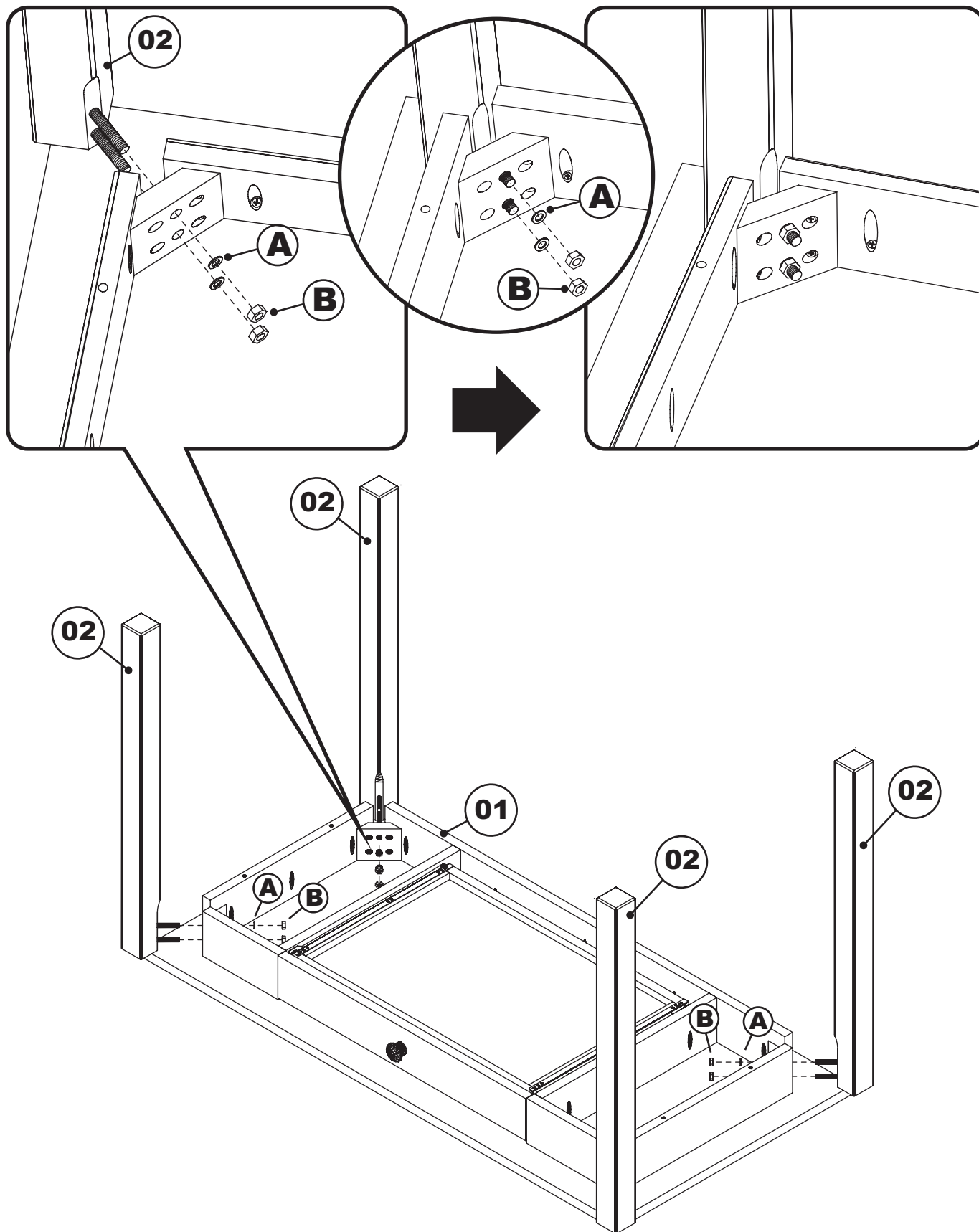
PARTS LIST

- BOX 1 OF 2 → **01** TOP PANEL WITH DRAWER **1 PC**
- BOX 2 OF 2 → **02** LEG **4 PCS**



STEP 1

Attach the legs (02) to the top panel (01) as shown below using flat washers (A) and hexagon nuts (B), tighten with hexagon wrench (C).

**Congratulations !**

Your Work table is now ready for use.

We recommend that you recheck that all screws are tightened, and that all parts are secure before use and periodically to ensure safety.