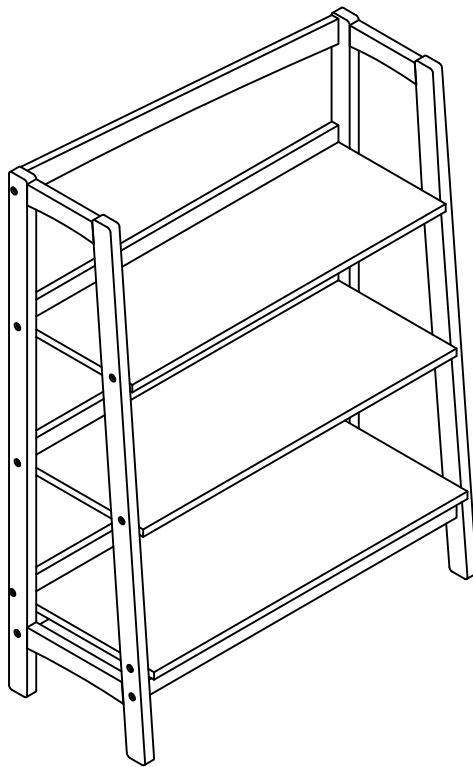

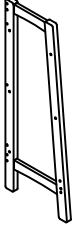
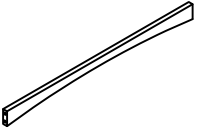
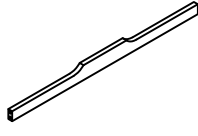
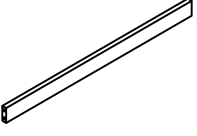
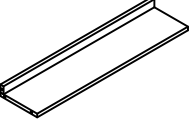
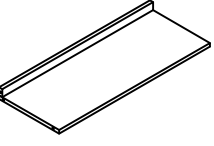
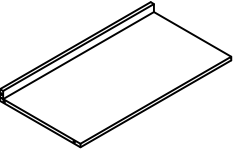







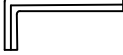
Bookcase
CF1111



PART LIST

				
Left Side Frame 1 PC	Right Side Frame 1 PC	Back Top Rail 1 PC	Front Bottom Rail 1 PC	Back Bottom Rail 1 PC
				
Top Shelf 1 PC	Middle Shelf 1 PC	Bottom Shelf 1 PC		

HARDWARE LIST

			
#1 Safety Strap Kit 1 PC	#2 Wood Dowel 13 PCS (Extra 1) Ø8x40	#3 Allen Bolt 19 PCS (Extra 1) M6x35	#4 Allen Wrench 1 PC M4

ADDITIONAL TOOLS (Not Provided)

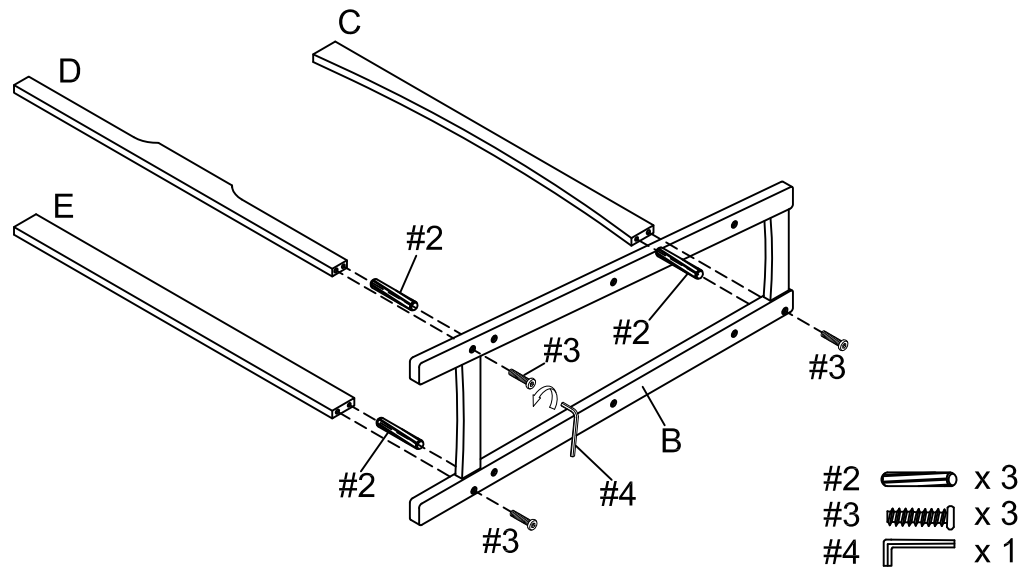
Note: It is not recommended to use power tools during assembly.



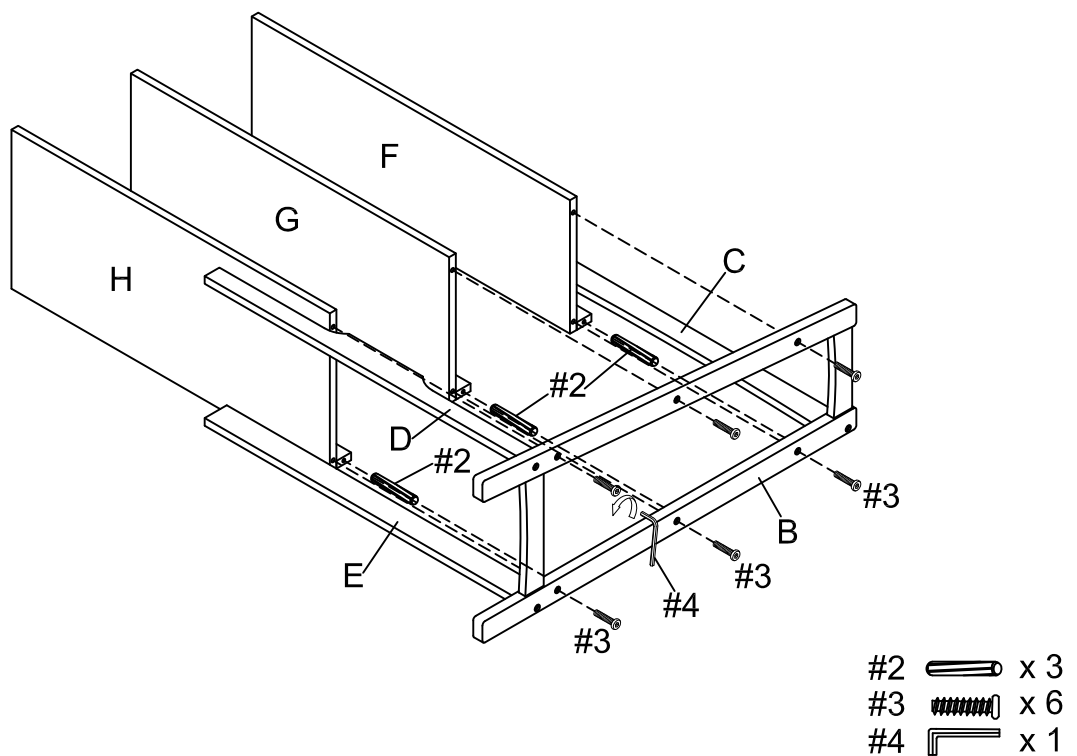
Phillips Head Screwdriver

Step 1. Attach back top rail (part C), front bottom rail (part D) and back bottom rail (part E) to right side frame (part B) by using wood dowels (part #2), allen bolts (part #3) and allen wrench (part #4).

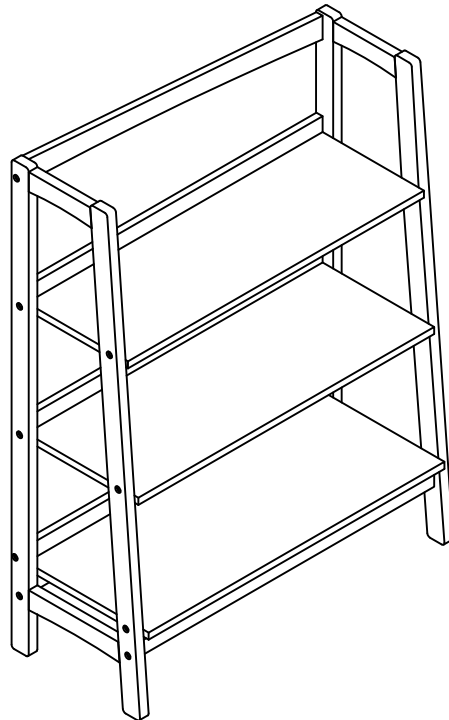
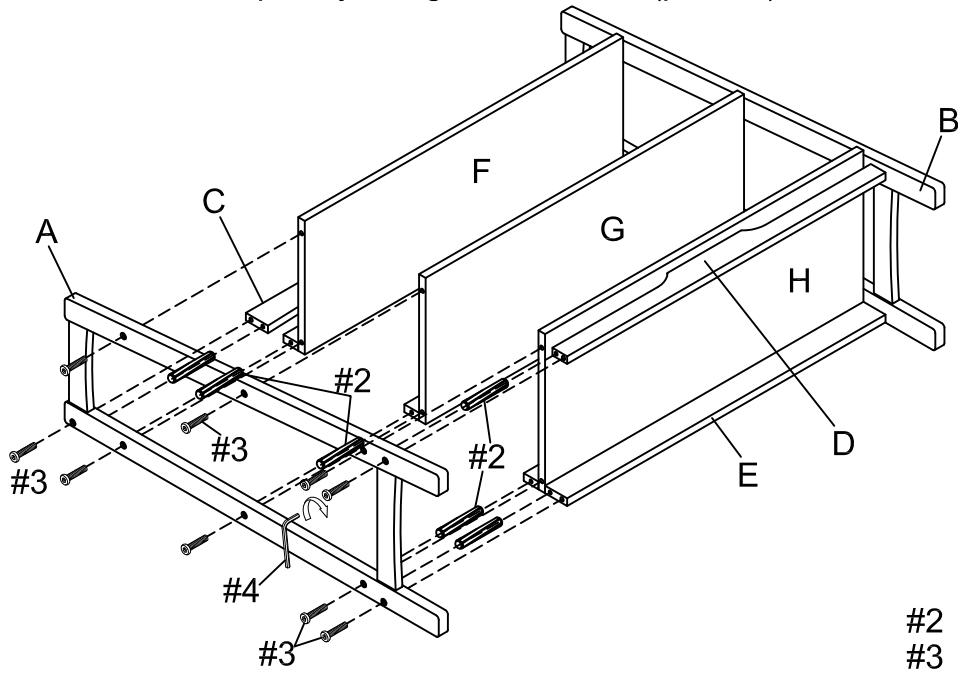
Note: Do not fully tighten bolts until unit is fully assembled.


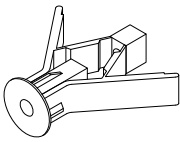

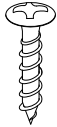
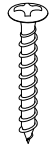
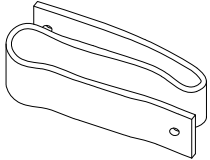


Step 2. Attach top shelf (part F), middle shelf (part G) and bottom shelf (part H) to right side frame (part B) by using wood dowels (part #2), allen bolts (part #3) and allen wrench (part #4).



Step 3. Attach left side frame (part A) to back top rail (part C), top shelf (part F), middle shelf (part G), bottom shelf (part H), front bottom rail (part D) and back bottom rail (part E) by using wood dowels (part #2), allen bolts (part #3) and allen wrench (part #4). Tighten all the bolts completely using allen wrench (part# 4).



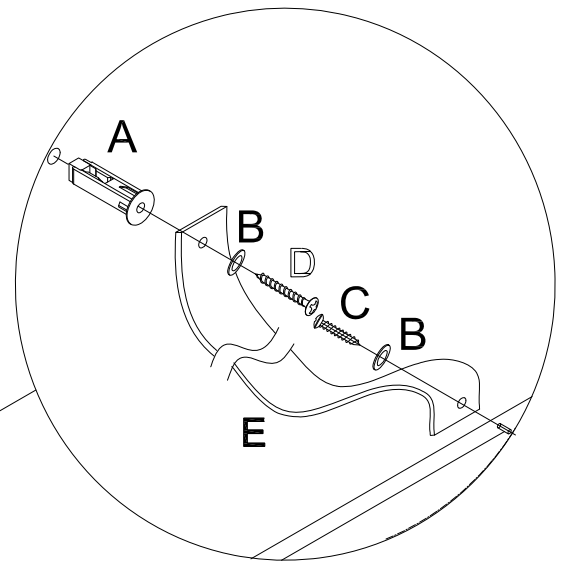
	<p>Safety Strap Kit 1 PC</p>	<p>A</p> 	<p>B</p> 	<p>C</p> 	<p>D</p> 	<p>E</p> 
		<p>Wall Anchor A x 1 PC</p>	<p>Washer B x 2 PCS</p>	<p>D8*3/4" Short Screw C x 1 PC</p>	<p>D8*1-1/2" Long Screw D x 1 PC</p>	<p>Safety Wall Strap E x 1 PC</p>

SAFETY STRAP WALL ASSEMBLY INSTRUCTION

1) Insert short screw (part #C) through washer (part #B) and safety wall strap (part #E) and screw it into the top center of top shelf (part F).

2) Drill a 11/32" hole where you want to secure your unit. The hole should be at the same height as the hole in the top center of top shelf (part F). Tap wall anchor (part #A) into the hole.

3) Insert long screw (part #D) through washer (part #B) and wall safety strap (part #E) into the wall anchor (part #A).



Wall

