







BTH-03382

curved shower rod

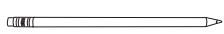


72 in L x 1 in Dia
(182.9 cm L x 2.5 cm Dia)

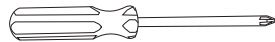
PARTS LIST

PART/ILLUSTRATION	(QTY)	DESCRIPTION
A 	(2)	curved rod
B 	(2)	wall-mounting brackets
C 	(4)	mounting screws
D 	(4)	dry wall anchors

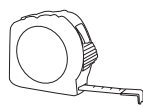
TOOLS REQUIRED



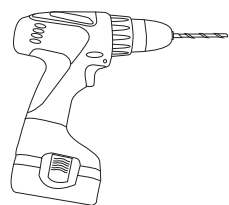
pencil



screw driver



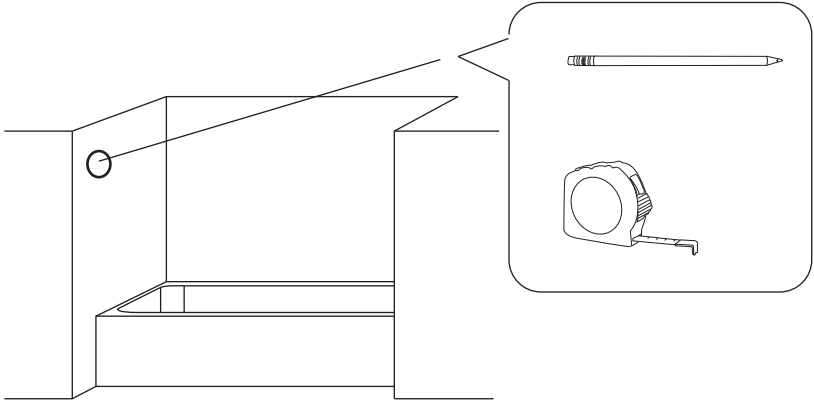
tape measure



electric drill

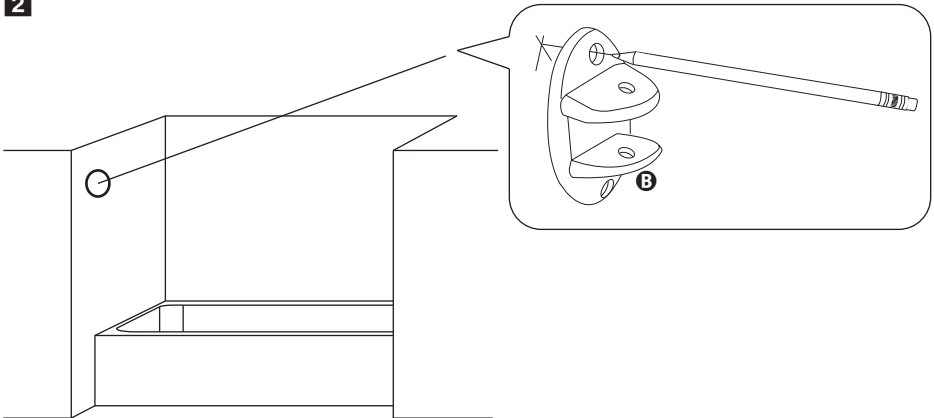
ASSEMBLY

1



With a pencil and tape measure, mark the wall above the center of the tub ledge at the desired height for installation of the curved shower rod. Be sure to mark each side at the same height.

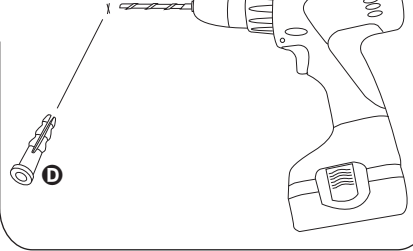
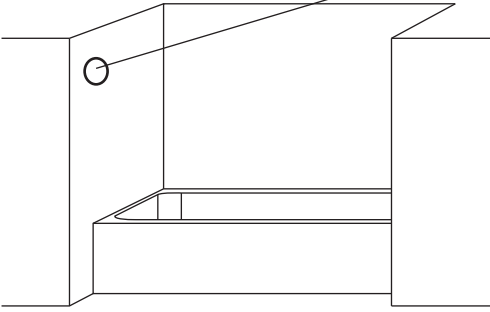
2



Align bottom of wall-mounting bracket with the marks in step #1. Be sure to complete for both ends of shower rod.

ASSEMBLY

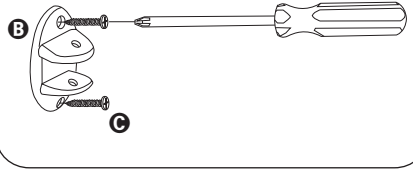
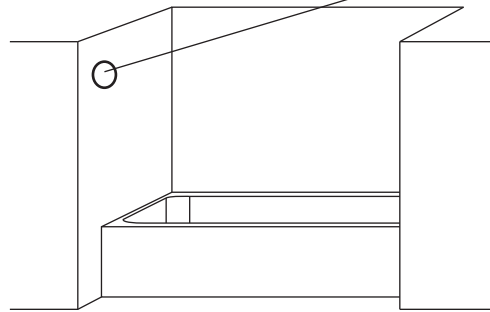
3



Drill holes in the marked locations for the mounting screws and insert the drywall screws.

*Note: if screws will be going directly into the wall studs, wall anchors will not be necessary

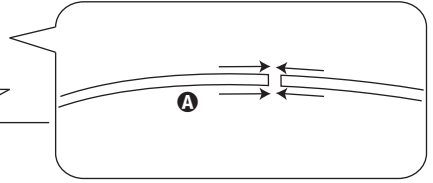
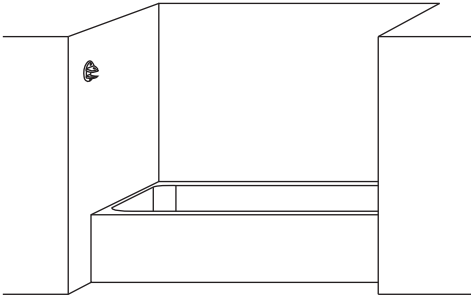
4



Fasten brackets to the wall with the mounting screws provided. Repeat for other bracket.

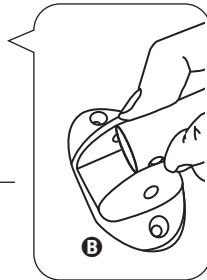
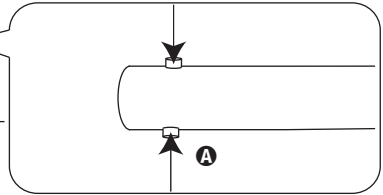
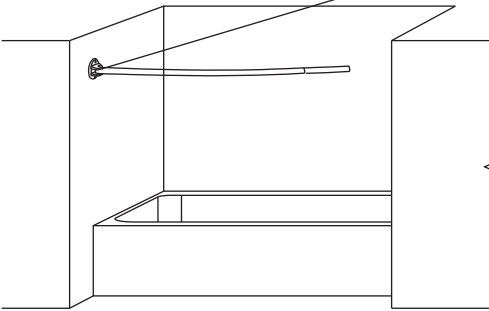
ASSEMBLY

5



Slide one curved rod into the other.

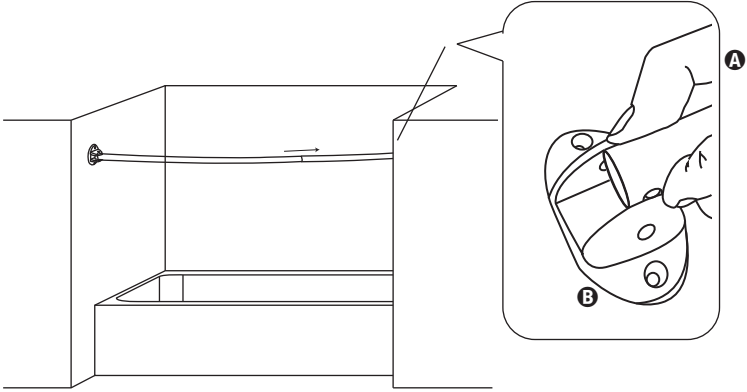
6



Slide one end of the curved rod into place on the bracket. You will need to push in the buttons on each side of the curved rod to lock it into place on the bracket.

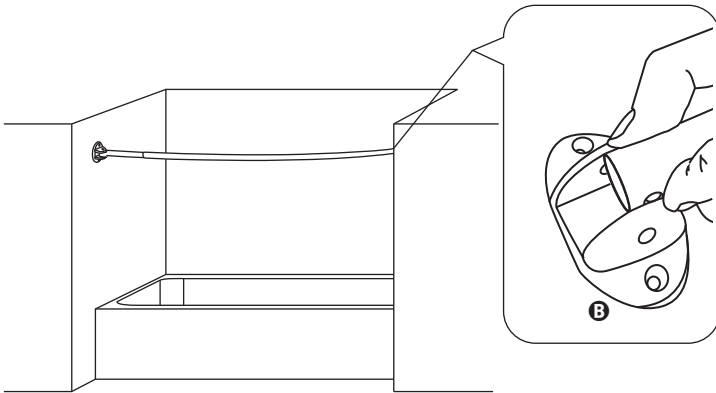
ASSEMBLY

7



Insert the other end of the curved rod into the mounting bracket, using the method described in step #6.

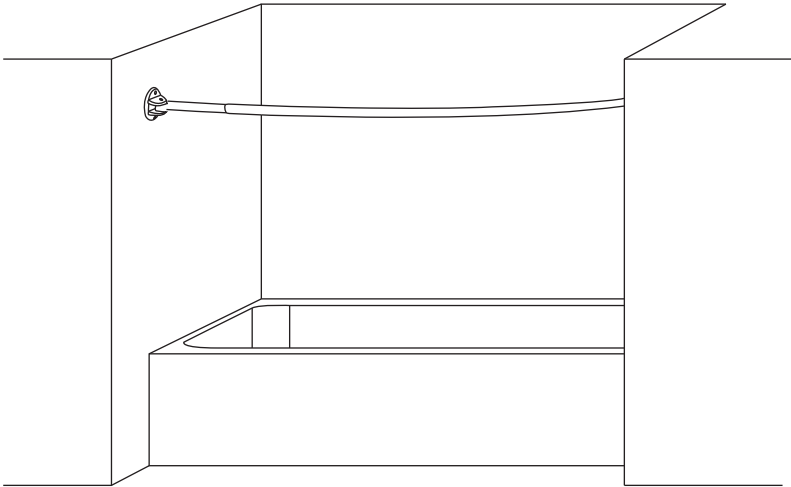
8



Ensure that both ends of the rods are locked in each of the mounted brackets.

ASSEMBLY

9



Enjoy your new curved shower rod !



LIMITED LIFETIME WARRANTY

Honey-Can-Do International, LLC (HCD) warrants its products will be free from defects in materials and workmanship when used for normal personal or household use, except as provided below. HCD, at its option, may offer a comparable product or offer a replacement part or request that the item be returned to the place of purchase. This warranty DOES NOT apply to damage caused by negligence, misuse, excessive use, improper cleaning, improper assembly, or any circumstances not directly attributable to manufacturing defects. Proof of purchase is required in the form of a receipt (copy or original) to validate warranty. HCD provides this limited lifetime warranty in lieu of all other warranties either express or implied. In no event shall HCD, its affiliates, or subsidiaries be responsible for consequential or incidental damages arising out of a claim of defective product. Some states or provinces do not allow some exclusions or limitations, so the above statement may not apply to you. This warranty gives you specific legal rights, and you may also have other rights, which vary by state or province.

Honey-Can-Do International

5750 McDermott Drive, Berkeley, IL 60163 USA

877.242.2636 | www.honeycando.com

©2013 Honey-Can-Do International, LLC | All Rights Reserved