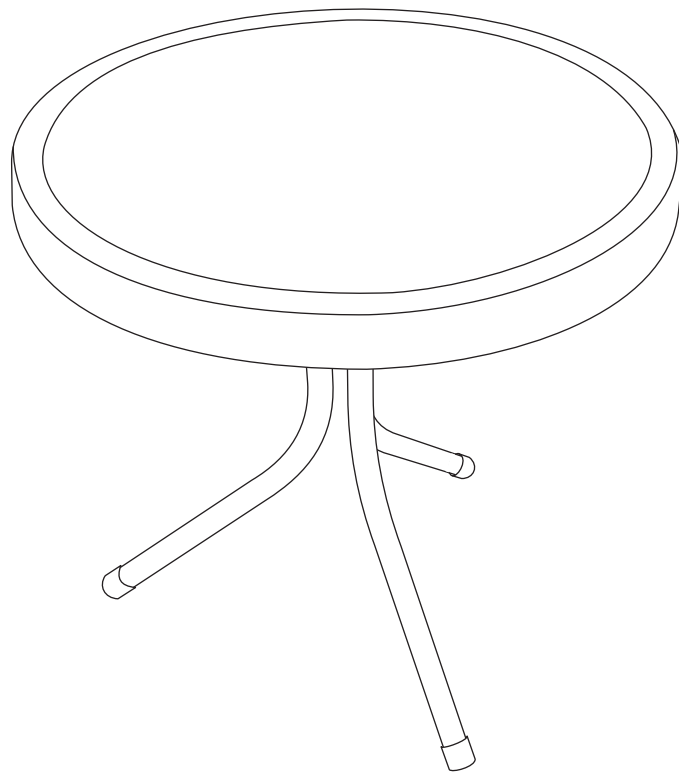


C R O S L E Y

FURNITURE

METAL SIDE TABLE

CO1011A



# C R O S L E Y

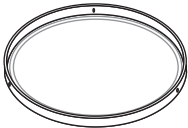
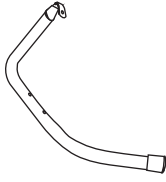

## FURNITURE

Congratulations! You have purchased a stylish piece of Crosley Furniture. We strive to provide fine furniture products, built with quality materials. Please carefully follow the assembly instructions to ensure your furniture is assembled correctly to provide long lasting enjoyment.

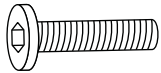



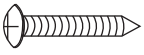


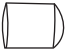
Should you experience any missing or damaged parts, **do not return to the store.** Please contact us directly at 800-815-4796.

**Care:** Use a soft clean cloth that will not scratch the surface when dusting. Use of furniture polish is not necessary. Should you choose to use polishes, test in an inconspicuous area first. Use of solvents of any kind may damage your furniture's finish. To clean, simply use a soft clean cloth moistened with lukewarm water, then buff with a dry soft clean cloth.

# PART LIST

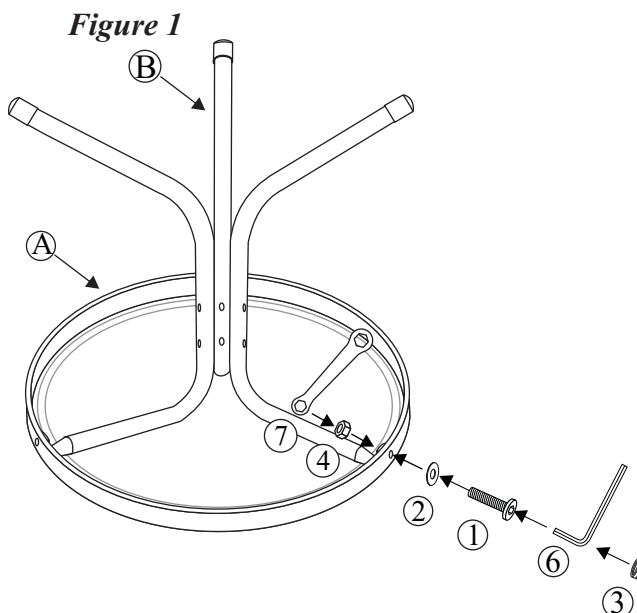
<b>A</b>  TOP	<b>B</b>  LEG	<b>C</b>  Leg Connector
1PC	3PC	1PC

# HARDWARE LIST

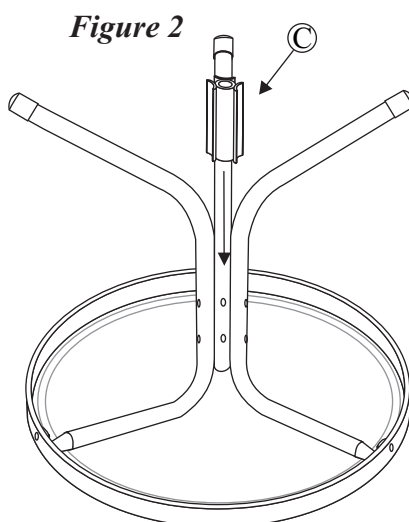
<b>1</b> 	<b>2</b> 	<b>3</b> 	<b>4</b> 	<b>5</b> 
1/4" X 15 MM BOLT 3 PCS	Ø6.5 X 1.0 MM WASHER 3 PCS	BOLT COVER 3 PCS	1/4" NUT 3 PCS	ST4.2 X 33 MM BOLT 6 PCS
<b>6</b> 	<b>7</b> 	<b>8</b> 		
Allen Wrench 1 PC	HEX WRENCH 1 PC	FOOT CAP FACTORY ASSEMBLY 3 PCS		

Tools needed: Allen key(part#6) and Hex Wrench(part#7) (Included) Phillips Head Screw Driver(Not included)

**Step1: Place tabletop upside down on a flat, non-abrasive surface. Attach table leg to tabletop using 1/4"x 15mm bolt (1) and 1/4" (2) washer as shown in (Figure 1). Add 1/4" nut (4) to the end of bolt. Tighten a few revolutions only. Do not tighten completely at this time as some adjustments may be necessary to the alignment of the table legs. Repeat for remaining two legs.**



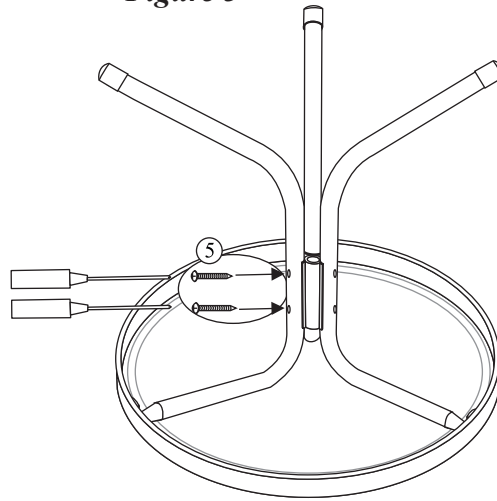
**Step2: Insert table leg connector ( C ) in the center of the three legs as shown in Figure 2. Secure by inserting two ST4.2 x 33mm bolt (5) through the two holes in the center of the leg and into the leg connector as shown in (Figure 3). Tighten a few revolutions only. Do not tighten completely. Repeat for remaining two legs.**



**Step3: Make any adjustments to the parts to ensure they are properly aligned. At this time tighten all nuts and bolts using Allen Wrench (6) and hex wrench (7). Tighten each bolt connection a few revolutions at a time, rotating between bolt connections until all nuts and bolts are completely tightened. DO NOT OVER TIGHTEN. Cover bolts with PVC bolt covers. Turn table into the upright position.**

YOUR TABLE IS NOW READY FOR USE.

*Figure 3*



C R O S L E Y  
FURNITURE

## Limited Manufacturers Warranty

Crosley Furniture Products are warranted against defects in material and workmanship for a period of 90 days beginning from the date of sale. Should any parts be missing or defective, we will replace or repair the parts for a period of 90 days from the date of purchase.

**Should you experience any missing or damaged parts, do not return to the store.** Please contact us directly at 800-815-4796 from 9 AM to 5 PM (EST) Monday to Friday.

This warranty gives the purchaser specified legal rights in addition to any rights which may vary from state to state.

In accordance with the "Moss-Magnuson Warranty Act" of July 10, 1975, this is termed a "limited warranty" which in no way compromises Crosley Furniture's high standards of Quality and Workmanship.