



SINGLE - LEVER KITCHEN FAUCET DOUBLE - HANDLE KITCHEN FAUCET

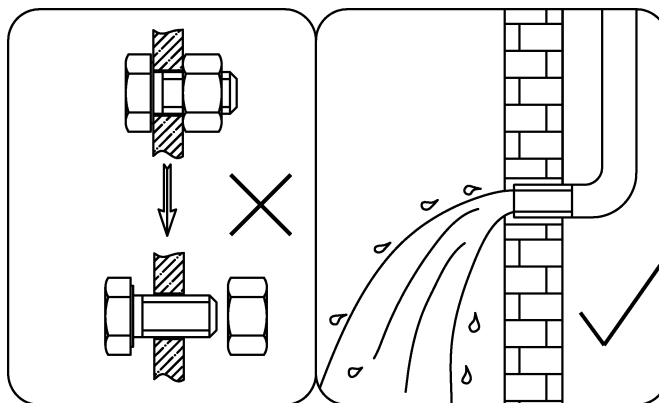
Thank you for choosing our company. Please make sure you have all necessary parts by checking the diagram and component list. Please make sure of proper installation and maintenance for long-term performance.

Notice:

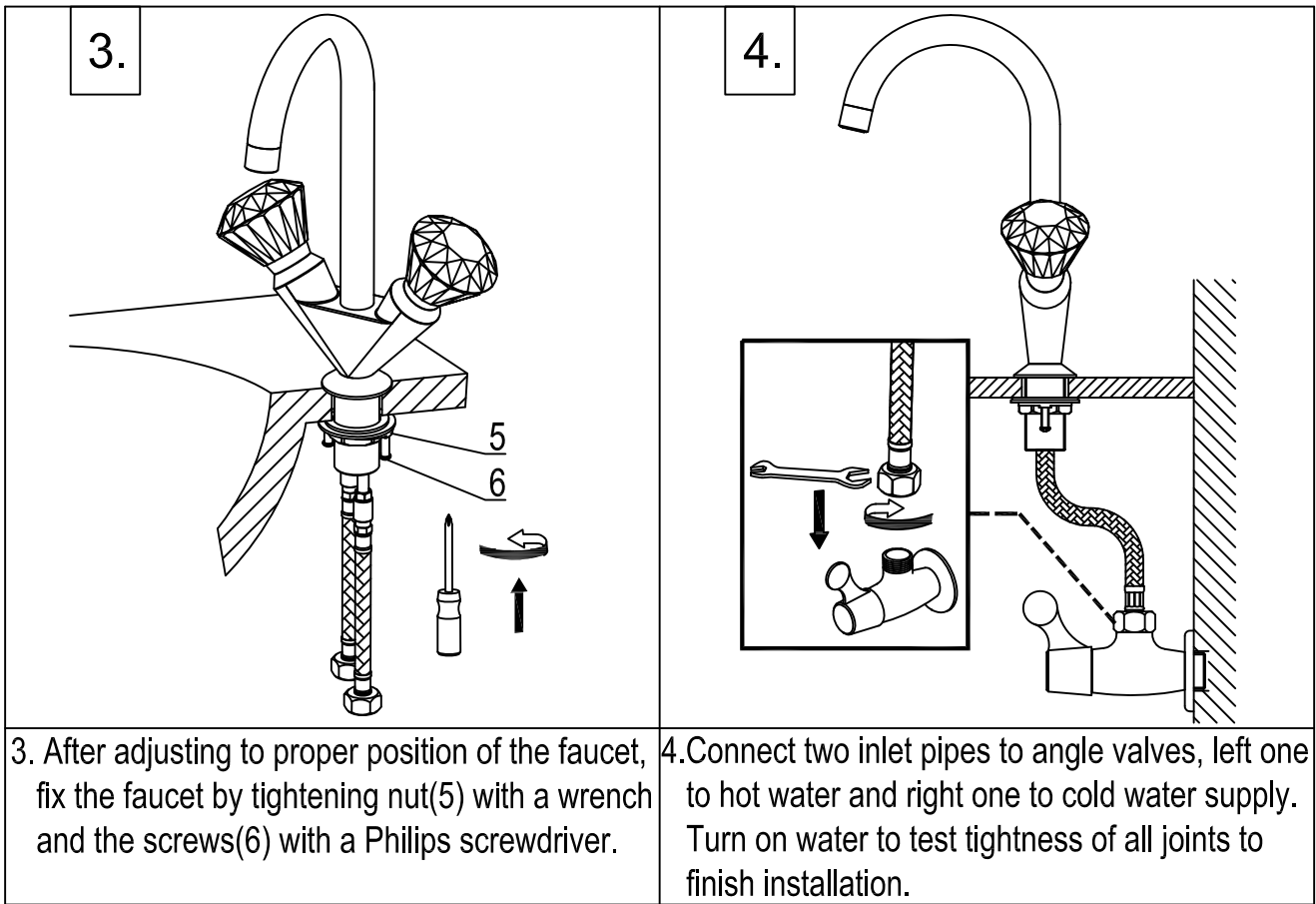
1. Improper installation may cause severe failure, please make sure that this must be carried out by qualified or well-experienced plumbers
2. This diagram is for reference only. The installation procedures may slightly differ from one to other type of single-lever faucet and double-handle faucet.

✳Warnings:

- ☆ Disassembling of the faucet is prohibited, as it has been assembled & commissioned to the best using condition.
- ☆ Before installing, flush the water supplying pipes.
- ☆ Do not over-forcing when installing.
- ☆ Corrosive materials such as plastic cement or glue is prohibited when installing valves, angle valves or connecting flexible hoses.
- ☆ Make sure to connect hot and cold supplying water pipes correctly, left to hot and right to cold facing from front of the faucet.
- ☆ Technical parameters:
Nominal working pressure: 0.05MPa-1.0MPa (7.26psi-145psi).
Water temperature: 4°C-90°C.



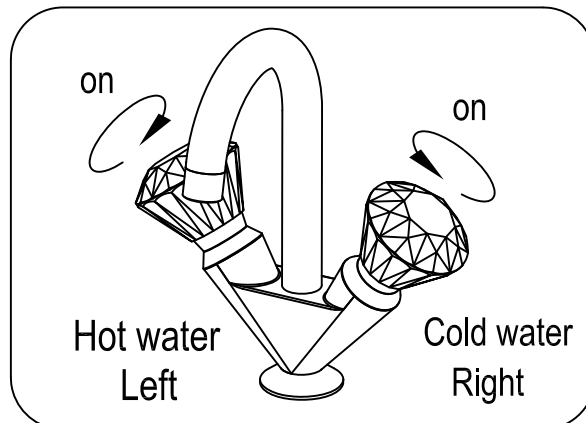
SINGLE - LEVER KITCHEN FAUCET
DOUBLE - HANDLE KITCHEN FAUCET



※ How to operate:
(For double-handle faucets)

☆ How to operate the handle:

1. Left handle is for hot water, and right handle for cold water.
2. Firstly rotate right handle anti-clockwise to turn on cold water, and then left handle clockwise to get warmer water.
3. To stop, operate inversely.

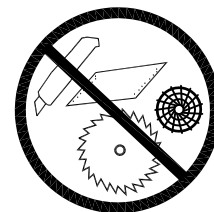


SINGLE - LEVER KITCHEN FAUCET
DOUBLE - HANDLE KITCHEN FAUCET

✂️ Cleaning and Maintenance

☆ To keep the product looking new, please follow the steps as below:

1. Simple rinse the product clean with clear water and dry the product with a soft cotton cloth.
2. Use mild liquid detergents, clear ammonia free liquid glass cleaners or non-abrasive liquid polishers to remove surface dirt and film.
3. Do not use any scrubbing detergent, abrasive liquid polishers, a cloth with coarse surface, tissue or scraper.
4. Do not use acid detergent, indissolvable grain-like detergent or soap.
5. Aerator may accumulate dirt causing distorted and reduced water flow. Unscrew aerator and rinse clean, and then screw onto spout.



✂️ Important notices:

☆ In order to protect environment and reduce pollution, used product to be discarded should following local waste materials handling codes:

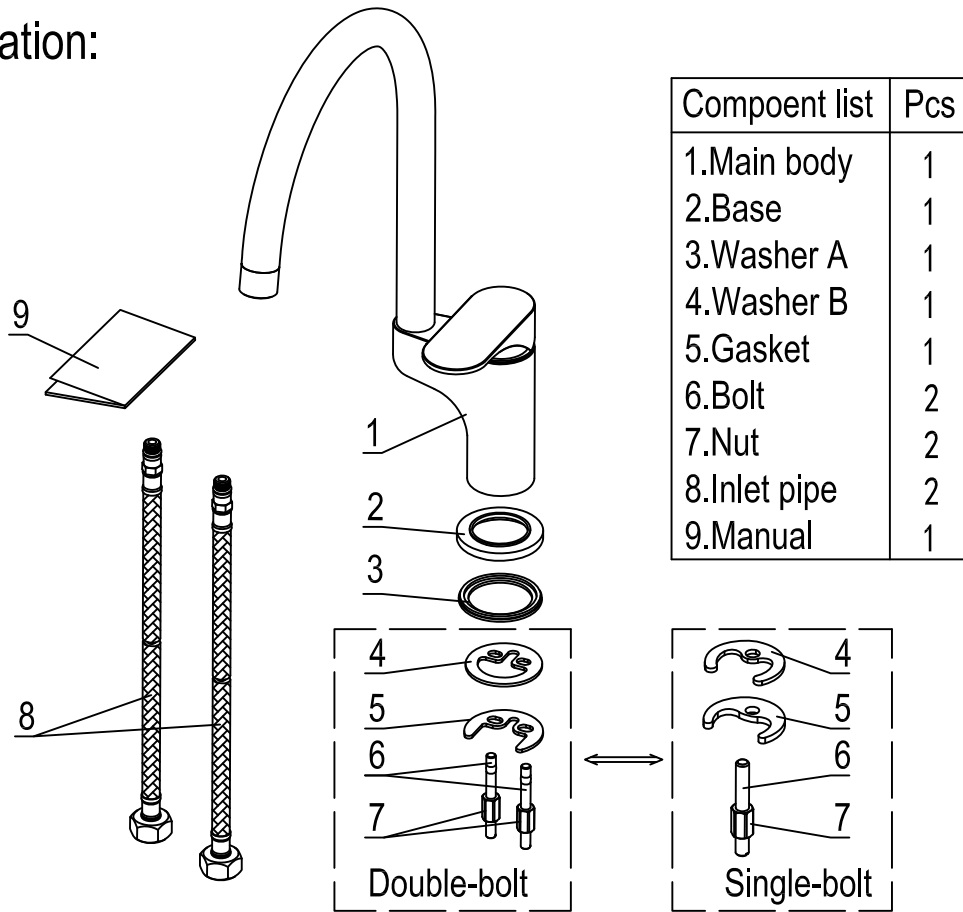
1. Used copper pieces, stainless steel material recycle could be recycled, which saving resources.
2. Used batteries and circuit board which contains hazardous substance to be handled by professional institution, DO NOT discarded, or it will cause accident or pollution.

✂️ This installation manual is only for your reference. All right reserved.

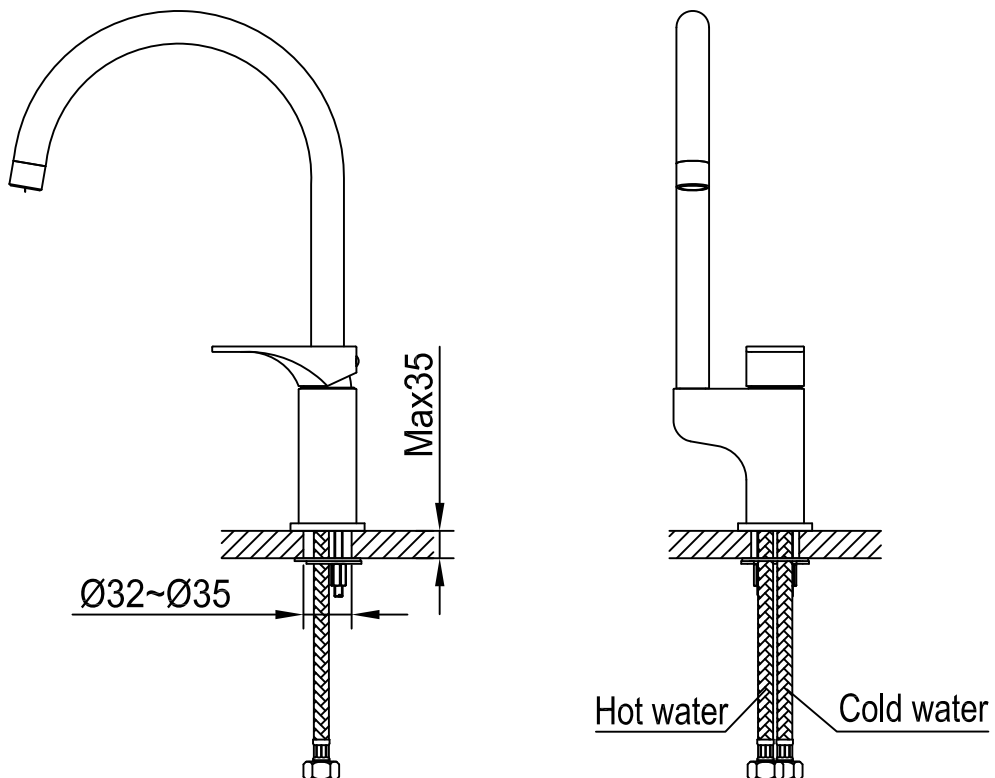
SINGLE - LEVER KITCHEN FAUCET
DOUBLE - HANDLE KITCHEN FAUCET

A.Single-lever kitchen faucet

A-type fixation:

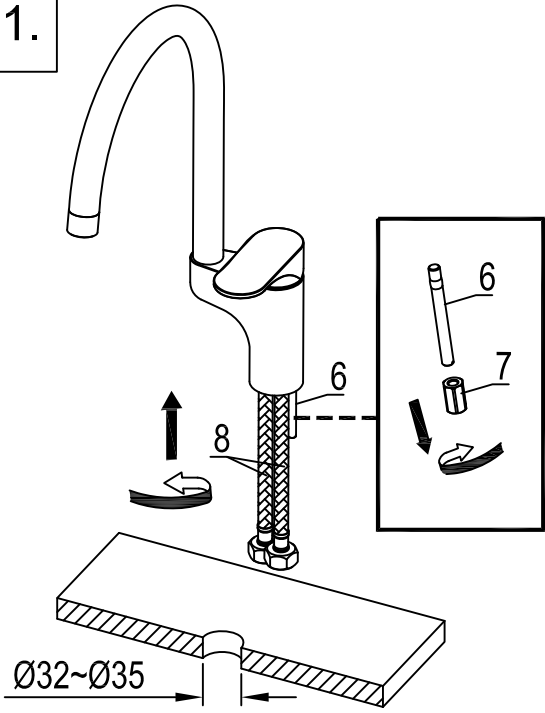
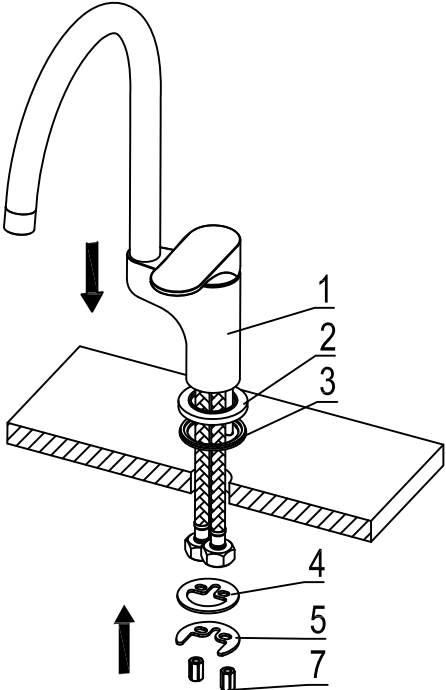
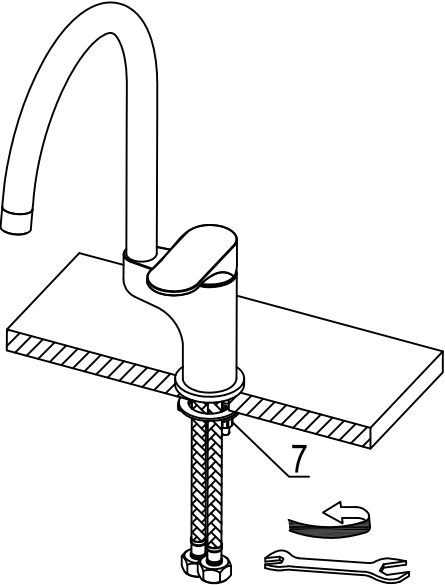
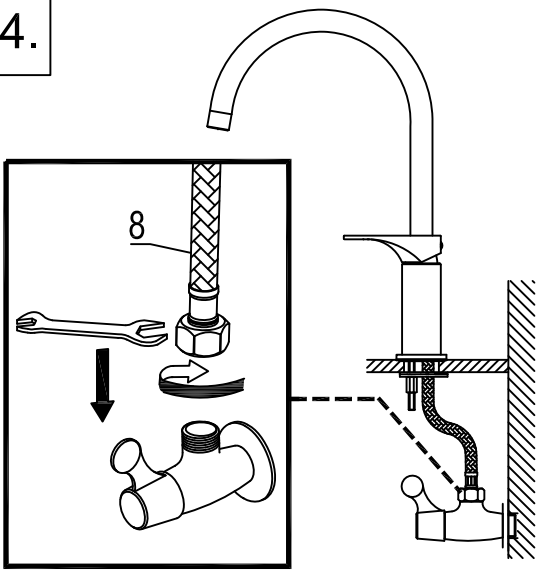


※Diagram



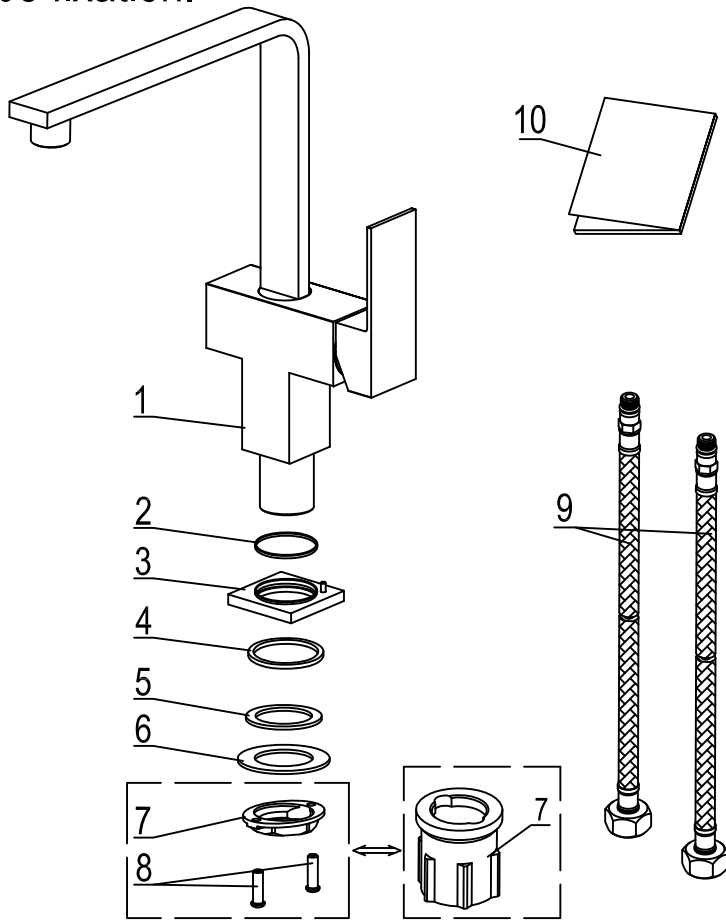
SINGLE - LEVER KITCHEN FAUCET
 DOUBLE - HANDLE KITCHEN FAUCET

✳️Installation procedures

<p>1.</p> 	<p>2.</p> 
<p>1.1) Drill a hole of Ø32~Ø35 on the installation deck. 2) Screw nut(7) off from bolt(6). 3) Fix bolt(6) and inlet pipes(8) onto the main body.</p>	<p>2.Put base(2) and washer A(3) through the inlet pipes to main body, then put inlet pipes through the hole, and install the faucet with washer B(4), gasket(5) and nuts(7) from underdeck.</p>
<p>3.</p> 	<p>4.</p> 
<p>3.After adjusting the faucet to desired position, tighten nuts(7) with a wrench.</p>	<p>4.Connect two inlet pipes to angle valves, left one to hot water and right one to cold water supply.Turn on water to test tightness of all joints to finish installation.</p>

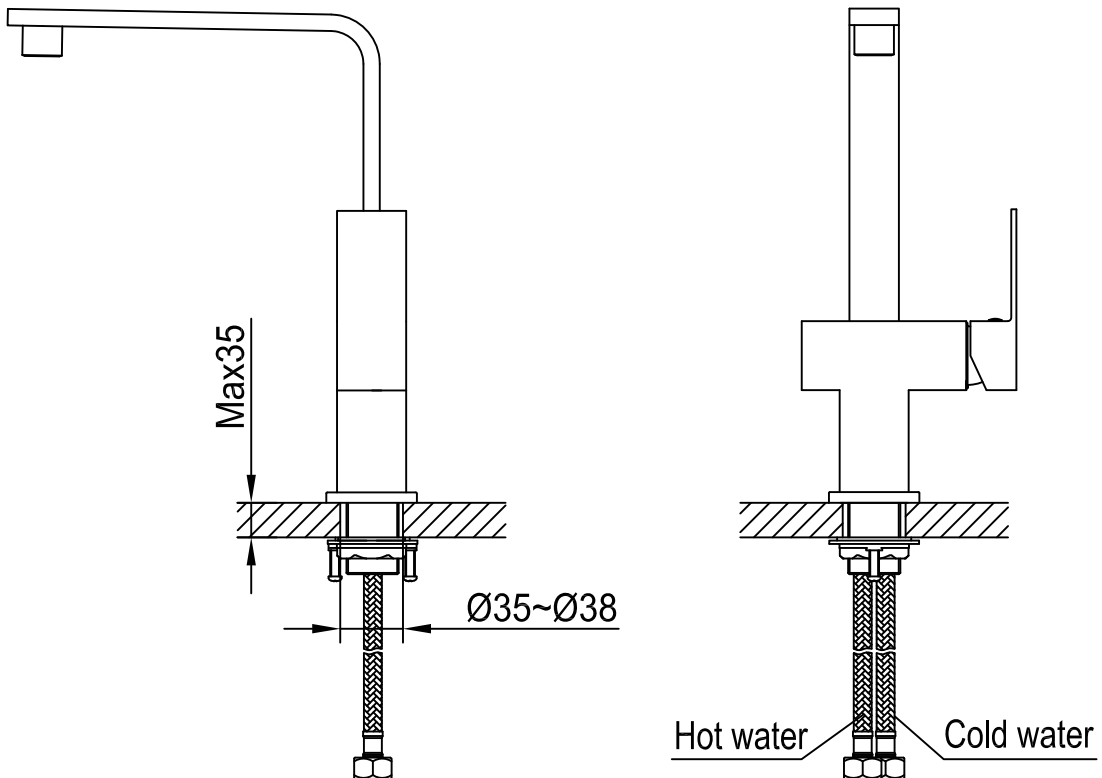
SINGLE - LEVER KITCHEN FAUCET
DOUBLE - HANDLE KITCHEN FAUCET

B-type fixation:



Component list	Pcs
1.Main body	1
2.Washer A	1
3.Base plate	1
4.Washer B	1
5.Washer C	1
6.Gasket	1
7.Nut	1
8.Screws	2
9.Inlet pipes	2
10.Manual	1

※Diagram



SINGLE - LEVER KITCHEN FAUCET
 DOUBLE - HANDLE KITCHEN FAUCET

※Installation procedures

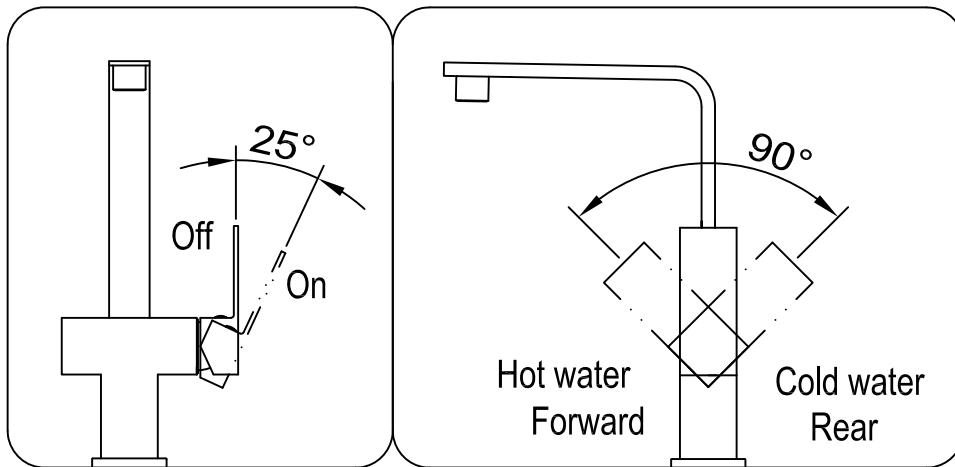
<p>1.</p>	<p>2.</p>
<p>1.1) Drill a hole of Ø35~Ø38 on the installation deck. 2) Remove the nut (7), gasket(6) and washer C(5) from the main body. 3) Fix inlet pipes(9) onto the main body(1).</p>	<p>2. With washer A(2), base plate(3) and washer B(4) still on, put inlet pipes through deck hole, and install the faucet with washer C(5), gasket (6), nut(7) and screws(8) from under deck.</p>
<p>3.</p>	<p>4.</p>
<p>3. After adjusting to proper position of the faucet and base plate, fix the faucet by tightening nut (7) with a wrench and the two screws(8) with a Philips screwdriver.</p>	<p>4. Connect two inlet pipes to angle valves, left one to hot water and right one to cold water supply. Turn on water to test tightness of all joints to finish installation.</p>

SINGLE - LEVER KITCHEN FAUCET
DOUBLE - HANDLE KITCHEN FAUCET

※How to operate:

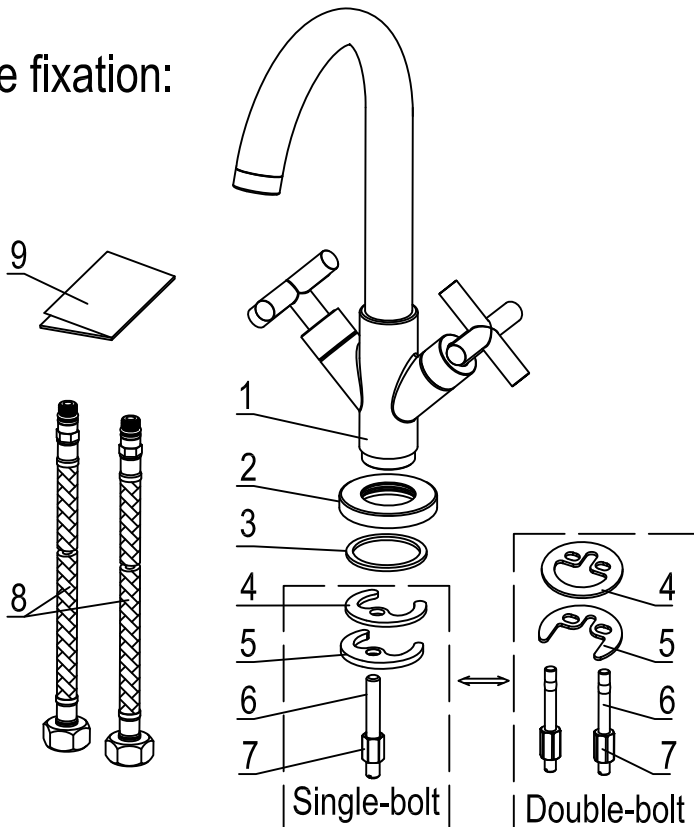
(For single-lever kitchen faucet only)

- 1) Pull the handle away from the faucet for continuous water flow, push it back toward the faucet to turn water off.
- 2) Push the handle to the rear for cooler water, and pull it forward for warmer water.



B.Double-handle kitchen faucet

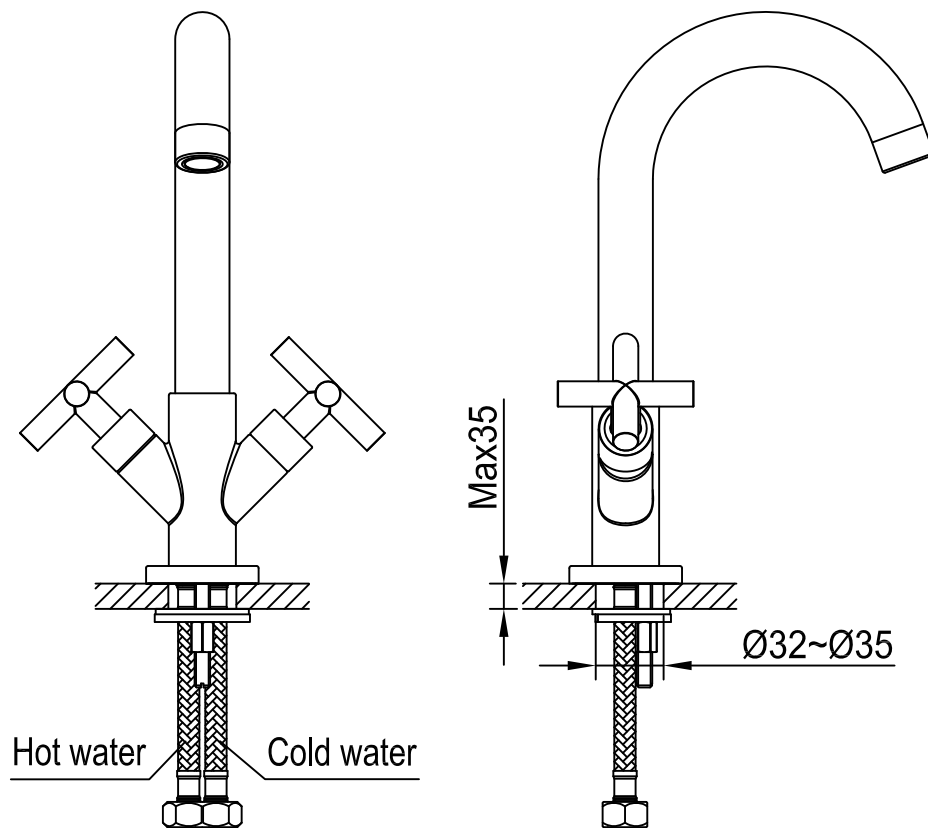
A-type fixation:



Component list	Pcs
1.Main body	1
2.Base	1
3.Washer A	1
4.Washer B	1
5.Gasket	1
6.Bolt	2
7.Nut	2
8.Inlet pipe	2
9.Manual	1

SINGLE - LEVER KITCHEN FAUCET
 DOUBLE - HANDLE KITCHEN FAUCET

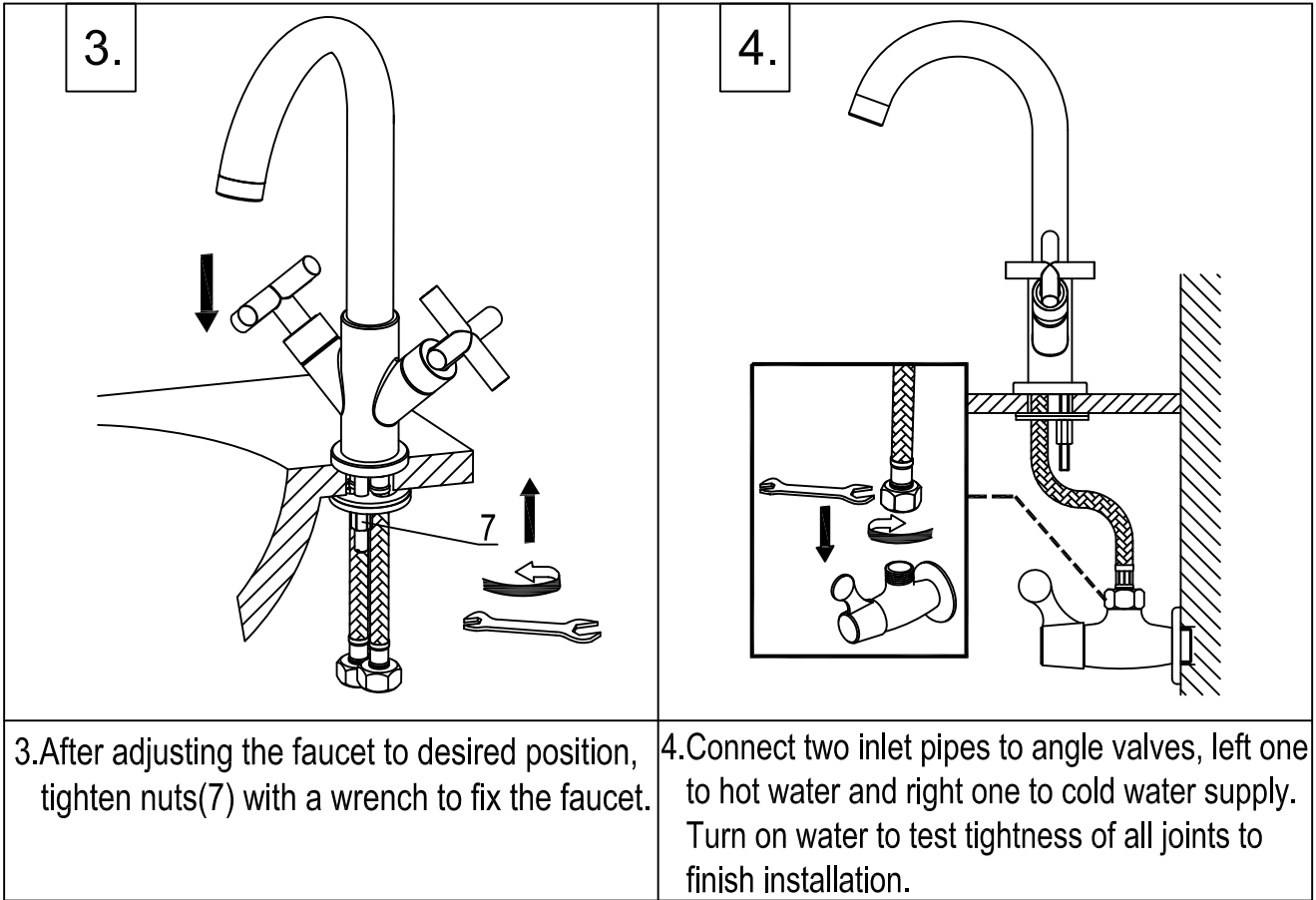
✳️Diagram



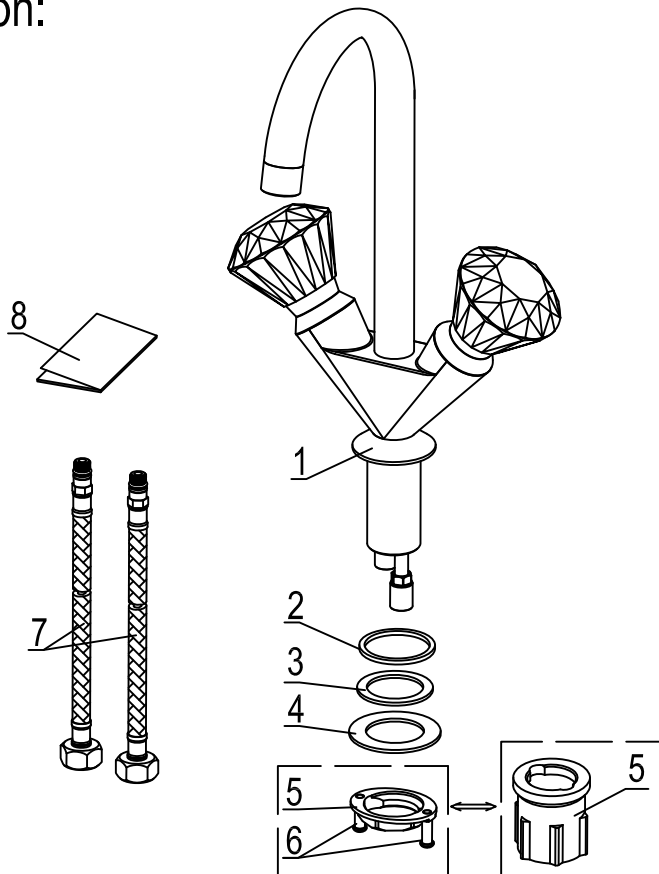
✳️Installation procedures

<p>1.</p>	<p>2.</p>
<p>1.1) Drill a hole of Ø32~Ø35 on the installation deck. 2) Screw nut(7) off from bolt(6). 3) Fix bolts(6) and inlet pipes(8) onto the main body.</p>	<p>2. Put base(2) and washer A(3) through the inlet pipes to main body, then put inlet pipes through the hole, an install the faucet with washer B(4), gasket(5) and nut(7) from underdeck.</p>

SINGLE - LEVER KITCHEN FAUCET
DOUBLE - HANDLE KITCHEN FAUCET



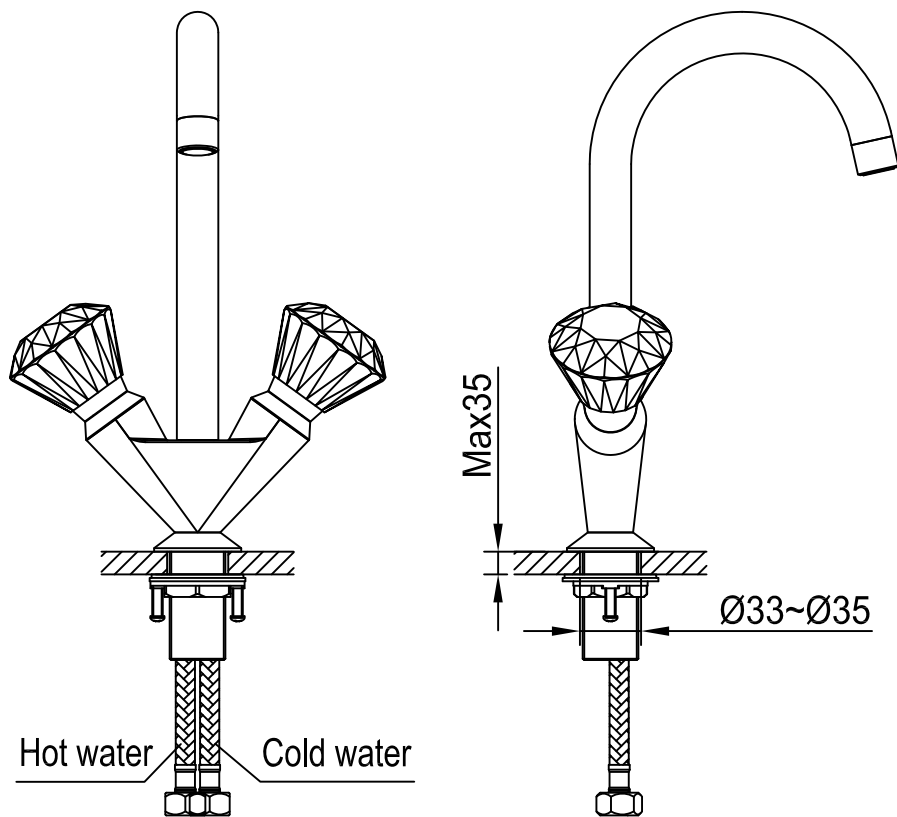
B-type fixation:



Component list	Pcs
1.Main body	1
2.Washer A	1
3.Washer B	1
4.Gasket	1
5.Nut	1
6.Screws	2
7.Inlet pipes	2
8.Manual	1

SINGLE - LEVER KITCHEN FAUCET
 DOUBLE - HANDLE KITCHEN FAUCET

✳️Diagram



✳️Installation procedures

<p>1.</p>	<p>2.</p>
<p>1.1) Drill a hole of Ø33~Ø35 on the installation deck. 2) Remove the screws(6), nut(5) and gasket(4), washer B(3) & Washer A(2) from the main body.</p>	<p>2. Fix inlet pipes(7) onto the main body(1) . With base and washer A (2) still on, put inlet pipes through hole, and install the faucet with washer B, gasket, nut and screws from under deck.</p>