

ASSEMBLY AND INSTALLATION INSTRUCTIONS

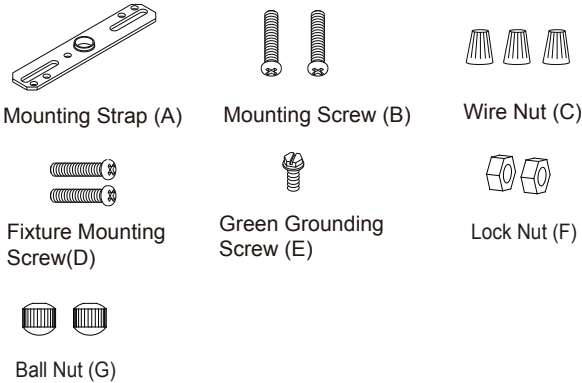
C0099

WARNING: TO AVOID RISK OF ELECTRICAL SHOCK, BE SURE TO SHUT OFF POWER BEFORE INSTALLING OR SERVICING THIS FIXTURE.

NOTES: 1. Before installing, consult local electrical codes for wiring and grounding requirements.
2. READ AND SAVE THESE INSTRUCTIONS.

For Semi-Flush

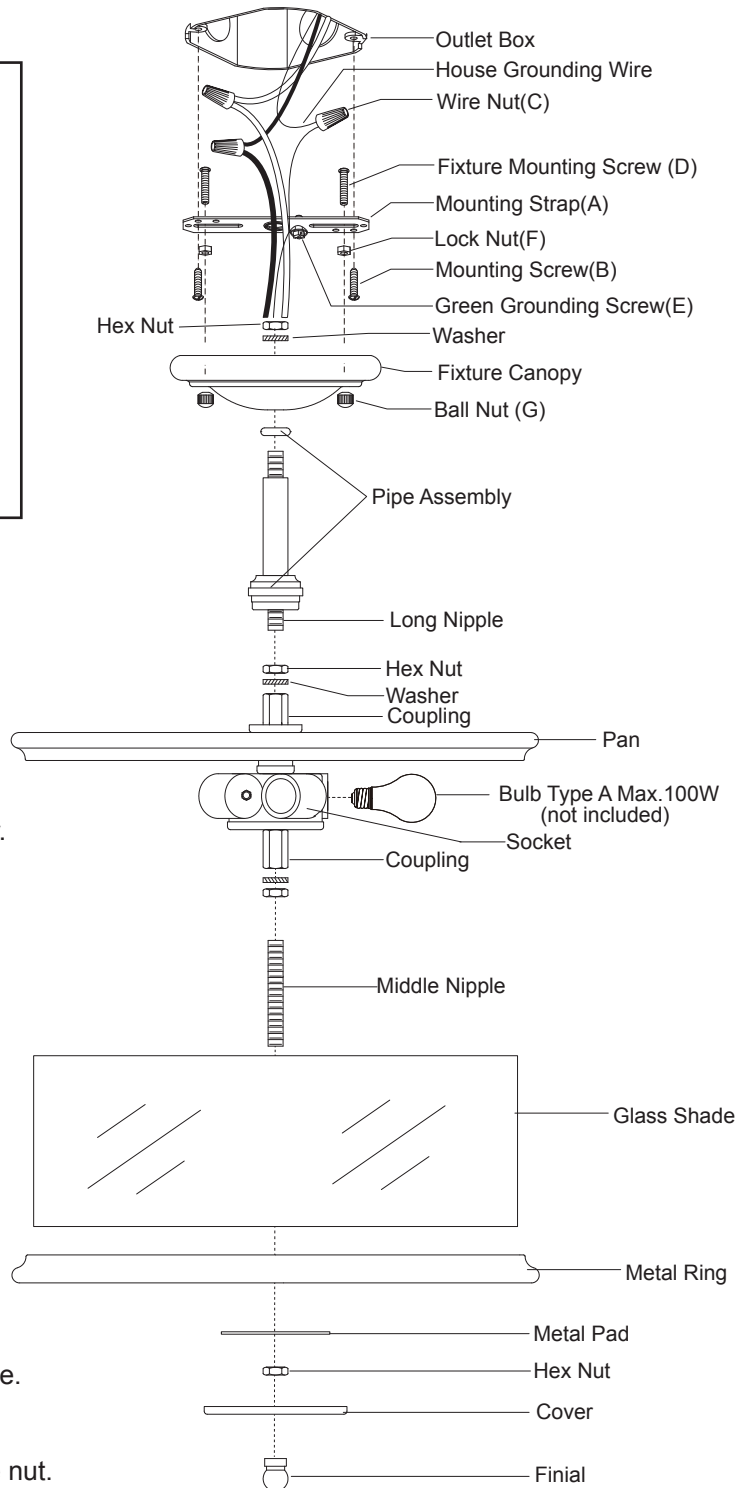
Hardware Package (included):



Installation Steps

Turn off the power at fuse or circuit box

1. Remove contents of hardware package marked "For Semi-Flush".
2. Attach two fixture mounting screws to the mounting strap, and then secure it with two lock nuts. Adjust the length of the fixture mounting screws if necessary.
3. Attach the mounting strap to the outlet box using two mounting screws.
4. Screw the long nipple into the coupling on the top of the pan, and then secure it with a washer and a hex nut. Then slip the pipe assembly and fixture canopy down through the long nipple, finally secure them with a washer and a hex nut.
5. Pull out the source wires from the outlet box. Make wire connections using wire nuts as follows:
 - Connect the smooth-coated wire (marked) from the fixture to the black wire from the power source.
 - Connect the ribbed-coated wire (unmarked) from the fixture to the white wire from the power source.
 - Attach the fixture grounding wire to the mounting strap with the green grounding screw, and then connect it to the house grounding wire with a wire nut.
 Carefully put the wires back into the outlet box.

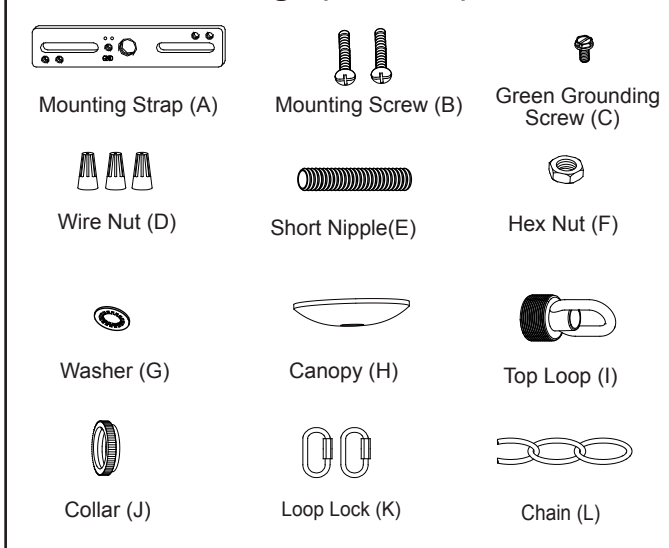


6. Unscrew two ball nuts from the fixture canopy. Attach the fixture canopy to the mounting strap, and then secure it with the ball nuts.
7. Install two bulbs (not included). Check relamping label at socket area or packaging for maximum allowed wattage.
8. Screw the middle nipple to the coupling of the socket base, and then secure it with a washer and a hex nut.
9. Attach the glass shade and metal ring up to the pan by inserting the middle nipple, and then secure them with a metal pad and a hex nut (Do not over tighten), finally slide the cover up to the glass panel, secure it with the finial.

Turn on the power at fuse or circuit box

For Pendant

Hardware Package (included):



Installation Steps

Turn off the power at fuse or circuit box

1. Remove contents of hardware package marked "For Pendant".
2. Attach the short nipple to the mounting strap, and then secure it with a washer and a hex nut.
3. Attach the mounting strap to the outlet box by using two mounting screws.
4. Secure the top loop to the short nipple.
5. Follow step 4 of instructions For Semi-Flush.
6. Secure the loop onto fixture canopy, thread fixture wires through threaded end of loop first.
7. Connect the chain:
 - Determine length of chain needed to achieve desired fixture height. (To remove excess chain section, use pliers to bend link open.)
 - Weave the fixture wires and fixture grounding wire through the chain, collar and canopy.
8. Connect one end of the chain to the loop using a loop lock.

Mounting Parts For Pendant

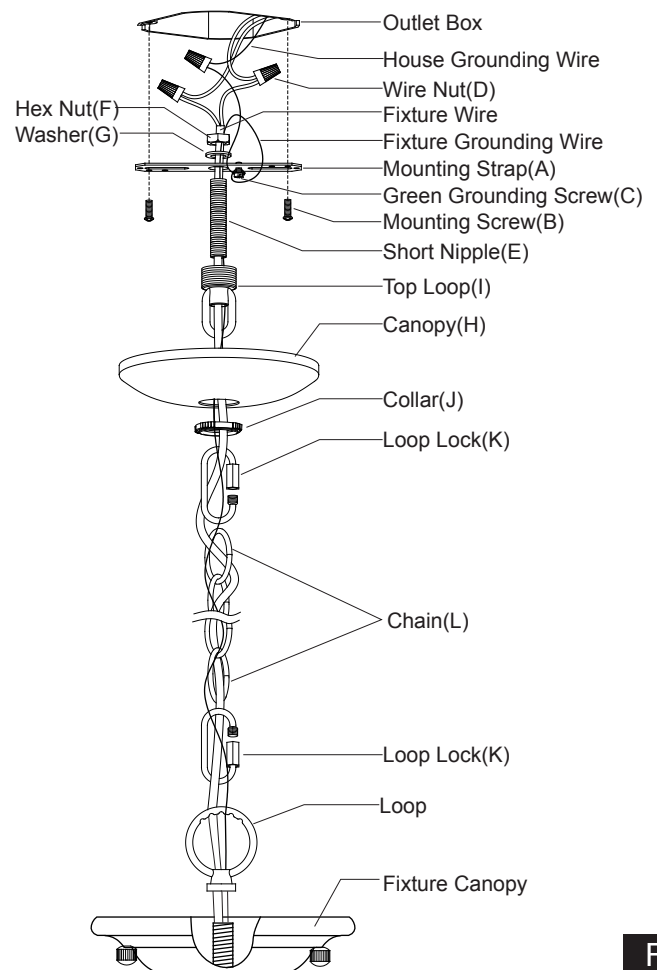


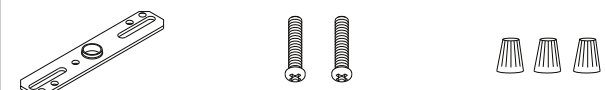



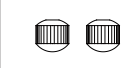
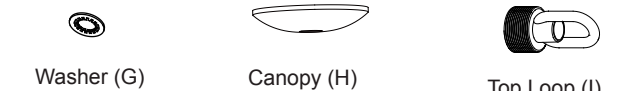

Fig.1


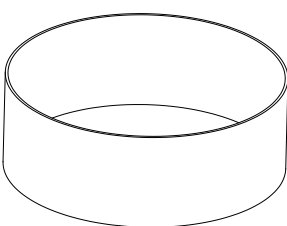
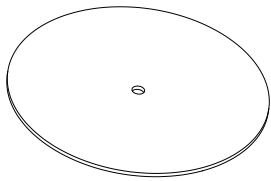
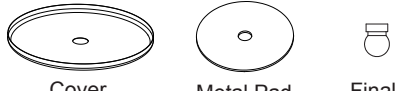
9. Connect the other end of the chain to top loop by using the other loop lock.
10. Thread the fixture wire and fixture grounding wire through the top loop, middle nipple and mounting strap.
11. Follow step 5 of instructions For Semi-Flush.
12. Attach the canopy to the mounting strap by inserting the top loop, and then secure it with the collar.
13. Follow steps 7~10 of instructions For Semi-Flush.

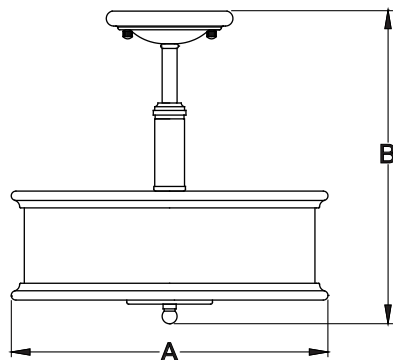
Turn on the power at fuse or circuit box

The following parts are available for re-order if damaged or missing.

Spare Parts List:

 <p>Mounting Strap (A) Mounting Screw (B) Wire Nut (C)</p>			 <p>Mounting Strap (A) Mounting Screw (B) Green Grounding Screw (C)</p>		
 <p>Fixture Mounting Screw (D) Green Grounding Screw (E) Lock Nut (F)</p>			 <p>Wire Nut (D) Short Nipple (E) Hex Nut (F)</p>		
 <p>Ball Nut (G)</p>			 <p>Washer (G) Canopy (H) Top Loop (I)</p>		
 <p>Collar (J) Loop Lock (K) Chain (L)</p>					
For Semi-Flush			For Pendant		

 <p>Middle Nipple Hex Nut Washer</p>			<p>Mounting Hardware 5386MM (1 SET)</p>  <p>Glass Shade 9729FO(1PC)</p>			 <p>Glass Panel 9730EW(1PC)</p>		
 <p>Cover Metal Pad Final</p>								
<p>Assembly Kit 5387AA (1 SET)</p>								



A: 13-3/8"

B: 12"