

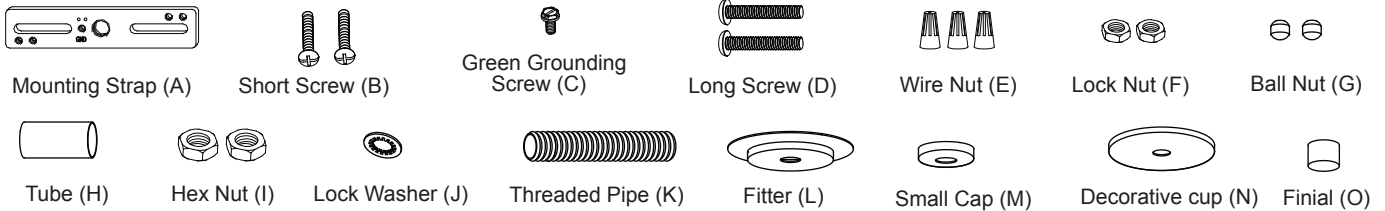
ASSEMBLY AND INSTALLATION INSTRUCTIONS

C0072 / C0073

WARNING: TO AVOID RISK OF ELECTRICAL SHOCK, BE SURE TO SHUT OFF POWER WHILE INSTALLING OR SERVICING THIS FIXTURE.

NOTES: 1. Before installing, consult local electrical codes for wiring and grounding requirements.
2. READ AND SAVE THESE INSTRUCTIONS.

Hardware Package (included):

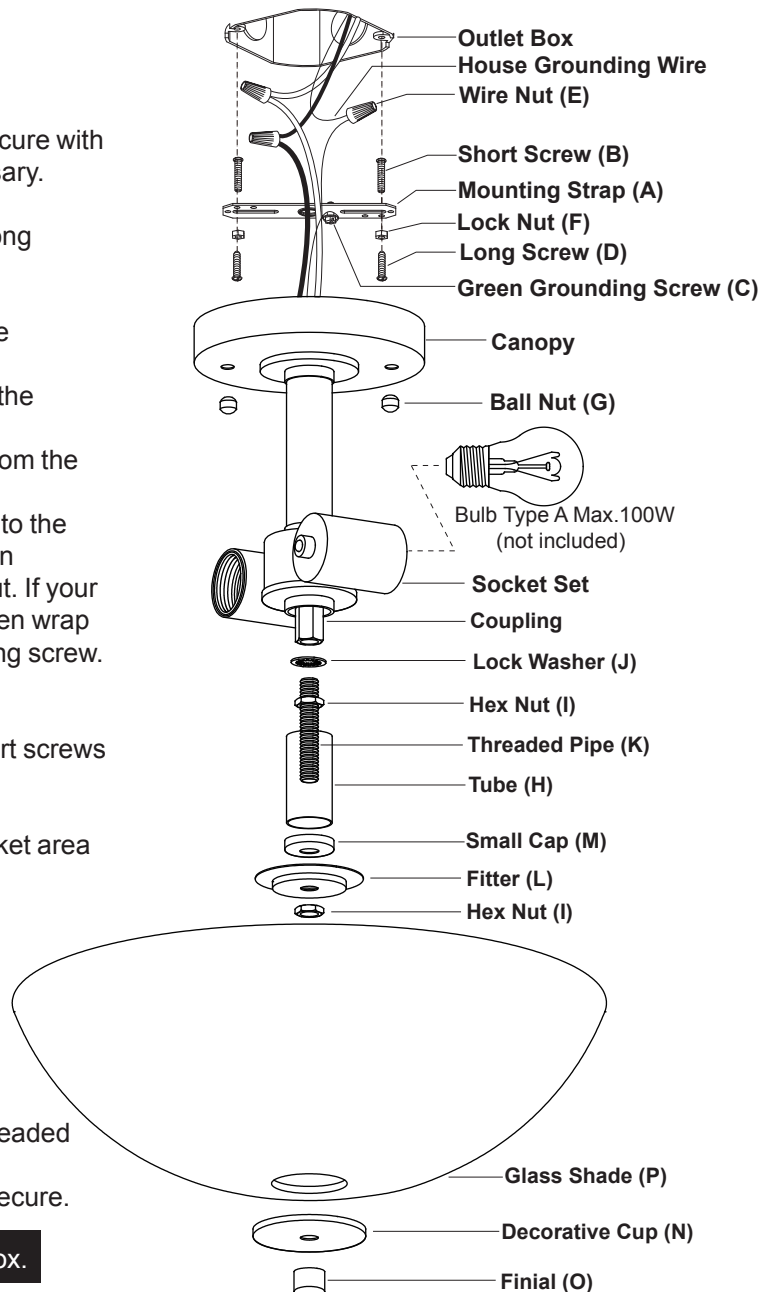


Assembly Instructions:

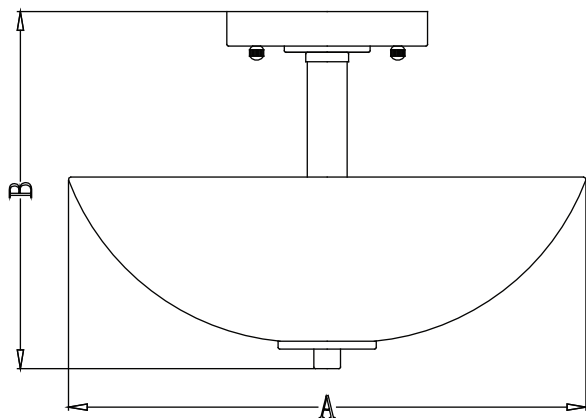
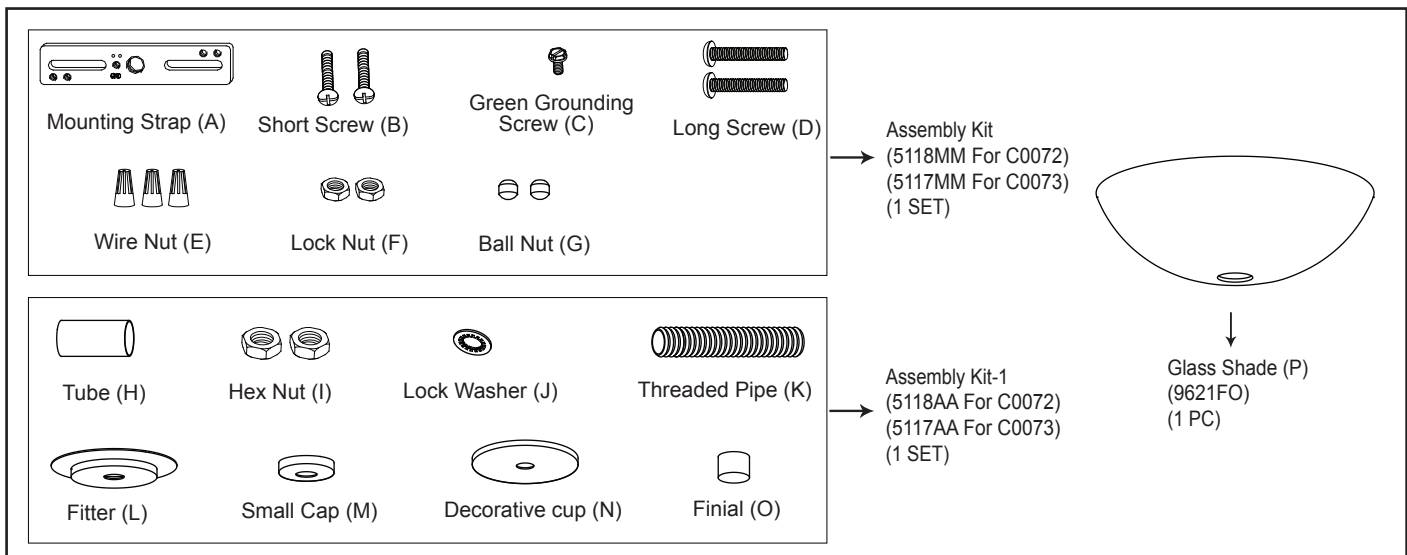
Turn off the power at fuse or circuit box.

1. Thread two short screws to the mounting strap, and secure with two lock nuts. Adjust the length of the screws if necessary.
2. Attach the mounting strap to the outlet box using two long screws.
3. Pull out the source wires from the outlet box. Make wire connections using wire nuts as follows:
 - Connect the hot wire (usually black insulation) from the fixture to the black wire from the power source.
 - Connect the neutral wire (usually white insulation) from the fixture to the white wire from the power source.
 - Attach the fixture grounding wire (usually bare wire) to the mounting strap with the green grounding screw. Then connect it to the house grounding wire with a wire nut. If your outlet box does not have a house grounding wire, then wrap the fixture grounding wire around the green grounding screw. Carefully put the wires back into the outlet box.
4. Attach the canopy to the mounting strap: insert the short screws through the two holes, and secure with two ball nuts.
5. Install bulbs (not included). See relamping label at socket area or packaging for maximum allowed wattage.
6. Screw the threaded pipe into the coupling, secure it with a lock washer and hex nut. Then slip a tube, small cap with the open side facing upward, fitter with the open side facing upward through the threaded pipe, secure them with hex nut.
7. Attach the glass shade to the ceiling pan: Insert the threaded pipe through the hole in the glass shade, then attach decorative cup to end of threaded pipe using finial to secure.

Turn on the power at the main fuse or circuit breaker box.



The following parts are available for re-order if damaged or missing.



A: 13"

B: 9"