



### Features

- Center drain.
- Slotted overflow for deep soaking.
- Integral lumbar support.
- 66" (1676 mm) x 31-1/2" (800 mm) x 28-1/2" (724 mm)

### Material

- KOHLER Lithocast®

### Installation

- Freestanding

### Recommended Accessories

- K-923 Wall- Or -Ceiling-Mount Bath Filler
- K-1491 Bath/Whirlpool Pillow
- K-1601 Bath/Whirlpool Footstop



### Codes/Standards

- ASME A112.18.2/CSA B125.2
- CSA B45.5/IAPMO Z124
- ASTM E162
- ASTM E662
- Greenguard UL 2818 - Gold

### KOHLER® Plastic Baths and Receptors Lifetime Limited Warranty

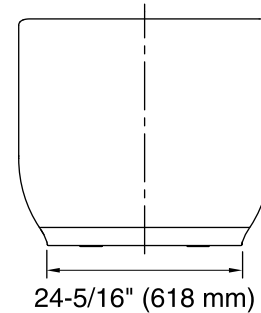
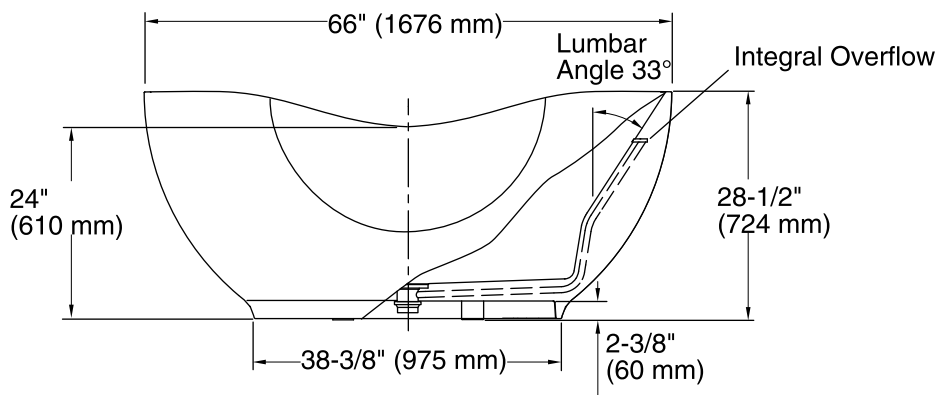
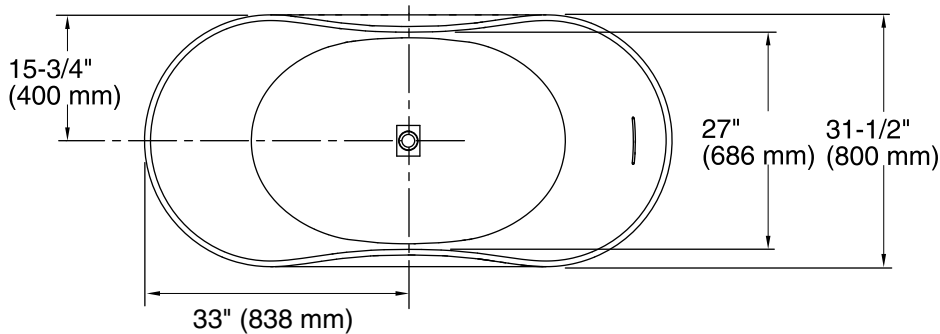
See website for detailed warranty information.

### Available Color/Finishes

*Color tiles intended for reference only.*

#### Color Code Description

	HW1	Honed White
--	-----	-------------



### Technical Information

All product dimensions are nominal.

Installation:	Freestanding
Drain location:	Center
Basin area, bottom:	41-1/2" x 26" (1054 mm x 660 mm)
Basin area, top:	64-3/8" x 30" (1635 mm x 762 mm)
Weight:	524 lbs (237.7 kg)
Minimum floor load:	90 lbs/ft <sup>2</sup> (439.4 kg/m <sup>2</sup> )
Water depth:	18" (457 mm)
Water capacity:	90 gal (340.7 L)

### Notes

- Measure your actual product for rough-in details. Install this product according to the installation instructions.
- The hot water supply should be 70% of the capacity of the bath or greater. Installations will vary.
- Allow for 3" (76 mm) diameter of clearance around the drain pipe on finished floor material to prevent drain body interference during installation.