



Features

- Center drain.
- Integral lumbar support and armrests for comfort.
- 72" (1829 mm) x 42-1/8" (1070 mm) x 19-3/4" (502 mm)

Material

- Acrylic

Hydrotherapy

- Pump with air switch for whirlpool.
- Built-in 1500 W heater.
- Single-speed whirlpool offers six fully adjustable hydro-massage jets for water flow and direction.

Installation

- Drop-in

Recommended Accessories

- K-7213 27" Cable Bath Drain
- K-7214 27" Cable Bath Drain
- K-11677 Bath Drain
- K-24916 Wireless Music Kit



Codes/Standards

- ASME A112.19.7/CSA B45.10
- CSA B45.5/IAPMO Z124
- UL 1795
- Greenguard UL 2818 - Gold

KOHLER® Plastic Baths and Receptors Lifetime Limited Warranty




KOHLER® Hydrotherapy Components Five-Year Limited Warranty

See website for detailed warranty information.

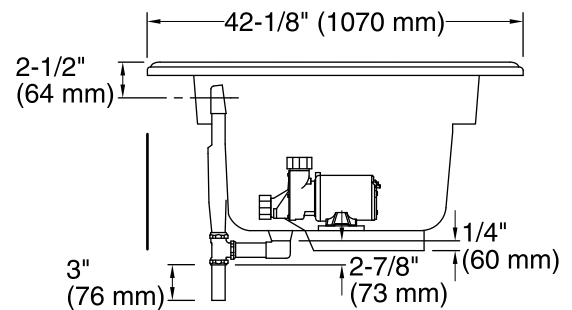
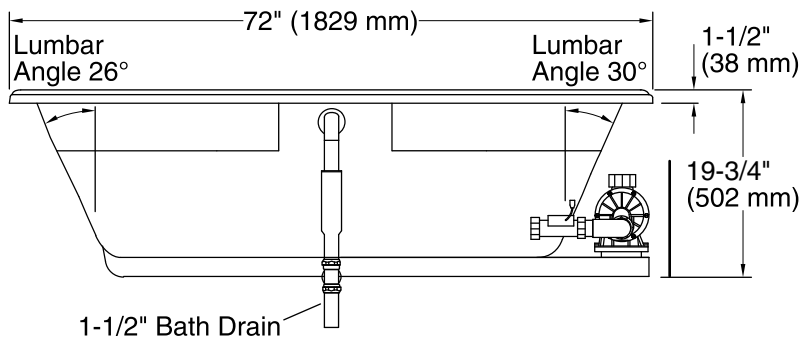
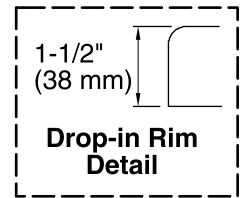
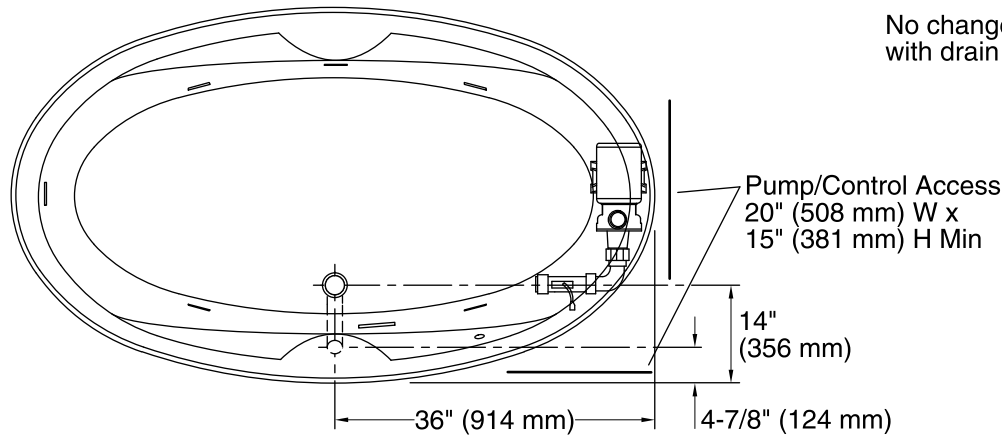
Available Color/Finishes

Color tiles intended for reference only.

Color Code Description

	0	White
	96	Biscuit
	47	Almond

No change in measurements if connected with drain illustrated. (K-11677)



Required Electrical Service

Two dedicated circuits required, protected with Class A Ground-Fault Circuit-Interrupter (GFCI) or Residual Current Device (RCD).

Pump: 120 V, 15 A, 60 Hz
Heater: 120 V, 15 A, 60 Hz

Technical Information

All product dimensions are nominal.

Installation: Drop-in
Drain location: Center
Basin area, bottom: 53" x 26" (1346 mm x 660 mm)
Basin area, top: 65" x 34" (1651 mm x 864 mm)
Weight: 79 lbs (35.8 kg)
Minimum floor load: 36 lbs/ft² (175.8 kg/m²)
Water depth: 15" (381 mm)
Water capacity: 78 gal (295.3 L)
Template: Drop-in, 114861-7, required, included
Electrical component rating: Pump: 120 V, 7.5 A, 60 Hz
Heater: 120 V, 12.5 A, 60 Hz, 1500 W
Pump speed: Single

Notes

Measure your actual product for rough-in details. Install this product according to the installation instructions.

The hot water supply should be 70% of the capacity of the bath or greater. Installations will vary.

Provide one grounded electrical outlet within 24" (610 mm) of each component.