



### Features

- Center drain.
- Integral lumbar support and armrests for comfort.
- 72" (1829 mm) x 42" (1067 mm) x 20-1/8" (511 mm)

### Material

- Acrylic

### Installation

- Drop-in

### Recommended Accessories

- K-1283 Removable Apron
- K-1491 Bath/Whirlpool Pillow
- K-11677 Bath Drain
- K-24916 Wireless Music Kit
- K-1601 Bath/Whirlpool Footstop
- K-7213 27" Cable Bath Drain
- K-7214 27" Cable Bath Drain
- K-7259 Clearflo Bath Drain



### Codes/Standards




CSA B45.5/IAPMO Z124  
Greenguard UL 2818 - Gold

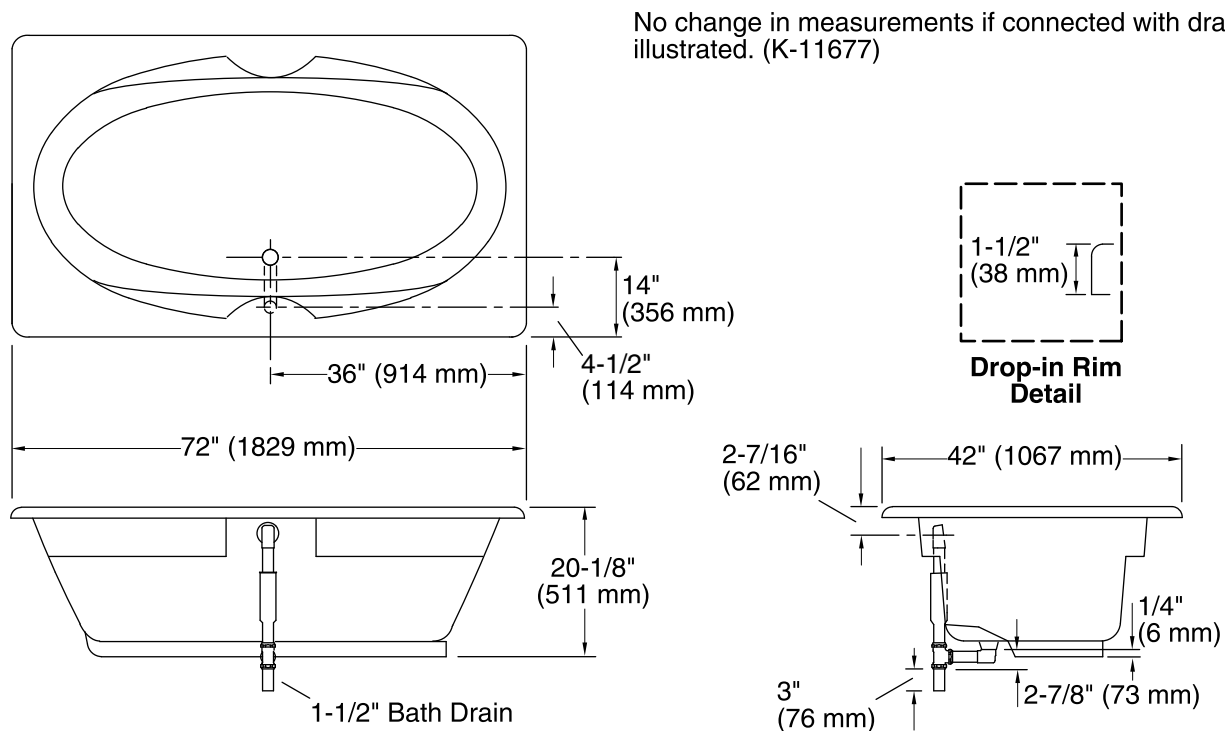
### KOHLER® Plastic Baths and Receptors Lifetime Limited Warranty

See website for detailed warranty information.

### Available Color/Finishes

*Color tiles intended for reference only.*

| Color  | Code | Description |
|--|------|-------------|
|  | 0    | White       |
|  | 96   | Biscuit     |
|  | 47   | Almond      |



### Technical Information

All product dimensions are nominal.

|                        |   |
|------------------------|---|
| Installation:          | Drop-in   |
| Drain location:        | Center  |
| Basin area, bottom:    | 53" x 26" (1346 mm x 660 mm)                      |
| Basin area, top:       | 65" x 34" (1651 mm x 864 mm)                      |
| Weight:                | 51 lbs (23.1 kg)                                  |
| Minimum floor load:    | 35 lbs/ft <sup>2</sup> (170.9 kg/m <sup>2</sup> ) |
| Water depth:           | 15" (381 mm)                                      |
| Water capacity:        | 78 gal (295.3 L)                                  |
| Cutout:                | Drop-in, 70-1/2" x 40-1/2" (1791 mm x 1029 mm)    |
| Minimum flat for door: | 2-11/16" (69 mm)                                  |

### Notes

Measure your actual product for rough-in details.

Install this product according to the installation instructions.

The hot water supply should be 70% of the capacity of the bath or greater. Installations will vary.