



#### Features

- End drain.
- Integral lumbar support and armrests for comfort.
- 72" (1829 mm) x 36" (914 mm) x 20-1/8" (511 mm)

#### Material

- Acrylic

#### Hydrotherapy

- Single-speed whirlpool offers six fully adjustable hydro-massage jets for water flow and direction.
- Pump with air switch for whirlpool.

#### Installation

- Drop-in

#### Recommended Accessories

- K-1283 Removable Apron
- K-11677 Bath Drain
- K-24916 Wireless Music Kit
- K-1491 Bath/Whirlpool Pillow
- K-1601 Bath/Whirlpool Footstop
- K-7213 27" Cable Bath Drain
- K-7214 27" Cable Bath Drain
- K-7265 Clearflo Bath Drain



#### Codes/Standards

- ASME A112.19.7/CSA B45.10
- CSA B45.5/IAPMO Z124
- UL 1795
- Greenguard UL 2818 - Gold

#### KOHLER® Plastic Baths and Receptors Lifetime Limited Warranty




#### KOHLER® Hydrotherapy Components Five-Year Limited Warranty

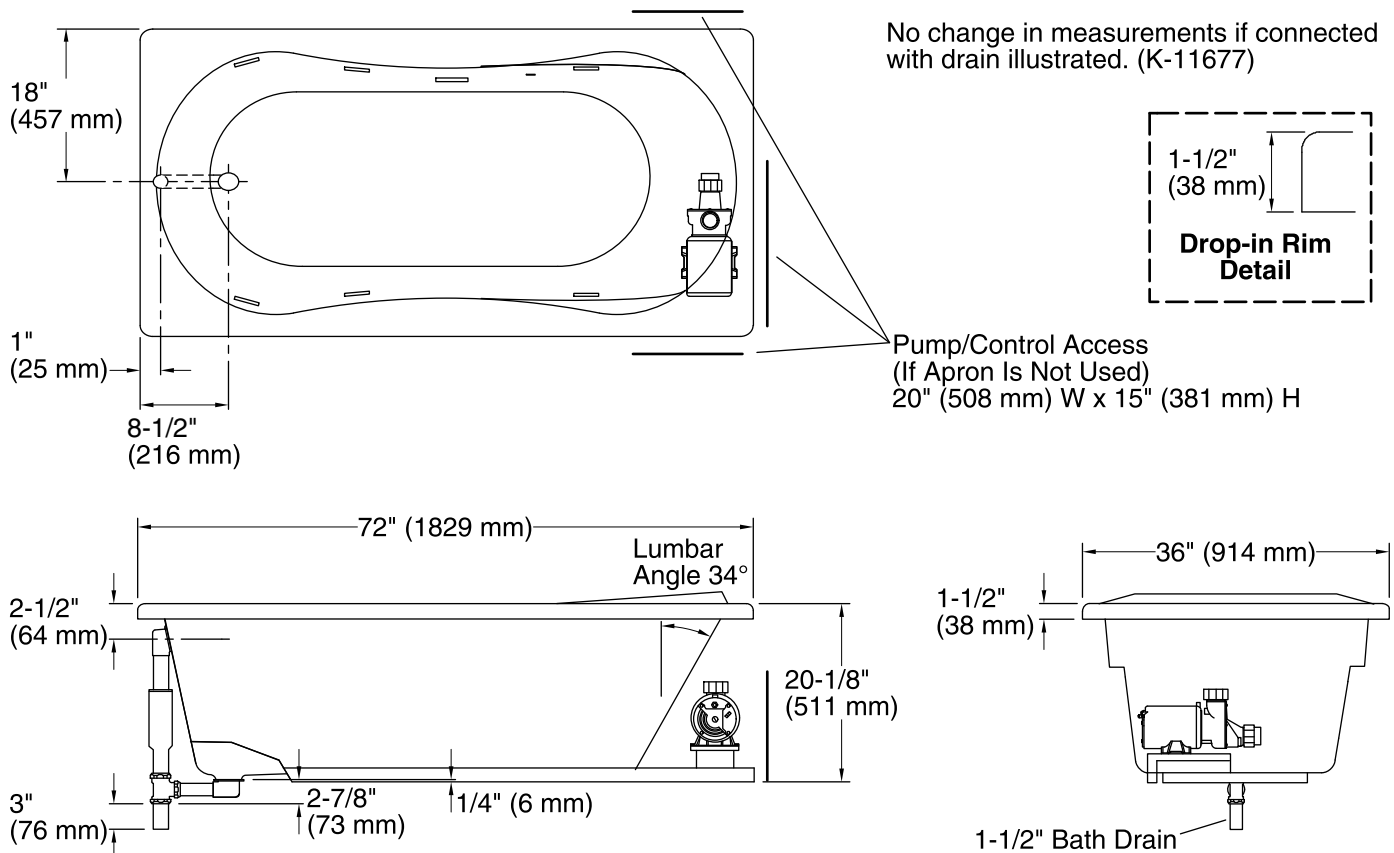
See website for detailed warranty information.

#### Available Color/Finishes

*Color tiles intended for reference only.*

#### Color Code Description

	0	White
	96	Biscuit
	47	Almond



### Required Electrical Service

One dedicated circuit required, protected with Class A Ground-Fault Circuit-Interrupter (GFCI) or Residual Current Device (RCD).

Pump: 120 V, 15 A, 60 Hz

### Technical Information

All product dimensions are nominal.

Installation: Drop-in  
 Drain location: End  
 Basin area, bottom: 55" x 21" (1397 mm x 533 mm)  
 Basin area, top: 65" x 26" (1651 mm x 660 mm)  
 Weight: 66 lbs (29.9 kg)  
 Minimum floor load: 38 lbs/ft<sup>2</sup> (185.5 kg/m<sup>2</sup>)  
 Water depth: 15" (381 mm)  
 Water capacity: 72 gal (272.5 L)  
 Cutout: Drop-in, 70-1/2" x 34-1/2" (1791 mm x 876 mm)  
 Electrical component rating: Pump: 120 V, 7.5 A, 60 Hz  
 Pump speed: Single  
 Minimum flat for door: 2-5/8" (67 mm)

### Notes

Measure your actual product for rough-in details. Install this product according to the installation instructions.

The hot water supply should be 70% of the capacity of the bath or greater. Installations will vary.

Bath may require shimming if installing an apron.