



#### Features

- Integral flange.
- Right drain.
- Integral lumbar support and armrests for comfort.
- 60" (1524 mm) x 36" (914 mm) x 18-1/8" (460 mm)

#### Material

- Acrylic

#### Hydrotherapy

- Six fully adjustable Flexjet™ hydrotherapy jets for water flow and direction.
- Pump with air switch for whirlpool.

#### Installation

- Alcove

#### Recommended Accessories

- K-1284 Removable Apron
- K-11677 Bath Drain
- K-24916 Wireless Music Kit



#### Codes/Standards

- ASME A112.19.7/CSA B45.10
- CSA B45.5/IAPMO Z124
- UL 1795
- Greenguard UL 2818 - Gold

**KOHLER® Plastic Baths and Receptors  
Lifetime Limited Warranty**




**KOHLER® Hydrotherapy Components  
Five-Year Limited Warranty**

See website for detailed warranty information.

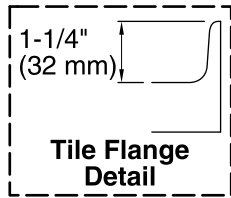
#### Available Color/Finishes

*Color tiles intended for reference only.*

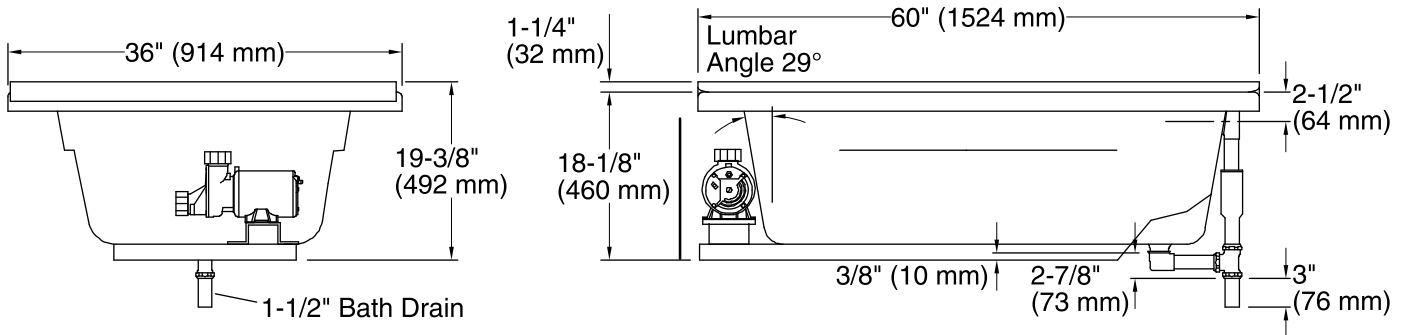
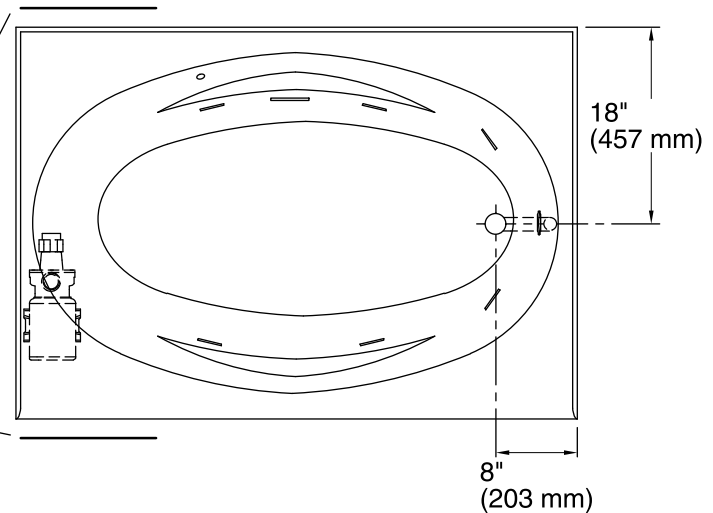
#### Color Code Description

	0	White
	96	Biscuit
	47	Almond

No change in measurements if connected with drain illustrated. (K-11677)



Pump/Control Access  
(If Apron is Not Used)  
20" (508 mm) W x 15" (381 mm) H



### Required Electrical Service

One dedicated circuit required, protected with Class A Ground-Fault Circuit-Interrupter (GFCI) or Residual Current Device (RCD).

Pump: 120 V, 15 A, 60 Hz

### Technical Information

All product dimensions are nominal.

Installation: 3-Wall Alcove

Drain location: Right

Basin area, bottom: 46" x 23" (1168 mm x 584 mm)

Basin area, top: 55" x 25" (1397 mm x 635 mm)

Weight: 55 lbs (24.9 kg)

Minimum floor load: 37 lbs/ft<sup>2</sup> (180.6 kg/m<sup>2</sup>)

Water depth: 14" (356 mm)

Water capacity: 57 gal (215.8 L)

Cutout: Drop-in, 58-1/2" x 34-1/2" (1486 mm x 876 mm)

Electrical component rating: Pump: 120 V, 7.5 A, 60 Hz

Pump speed: Single

Minimum flat for door: 2-3/4" (69 mm)

### Notes

Measure your actual product for rough-in details. Install this product according to the installation instructions.

The hot water supply should be 70% of the capacity of the bath or greater. Installations will vary.

Provide one grounded electrical outlet within 24" (610 mm) of each component.