



Features

- Center drain.
- Integral lumbar support.
- Coordinates with other products in the Portrait® collection.
- 67" (1702 mm) x 42" (1067 mm) x 22" (559 mm)

Material

- Acrylic

Hydrotherapy

- Six fully adjustable Flexjet™ hydrotherapy jets for water flow and direction.
- Ten sequencing Bodyssage™ backjets.
- Two pulsating neckjets with pillows.
- Variable-speed pump for adjusting hydromassage intensity.
- Built-in 1500 W heater.
- Lighted keypad control.
- Remote control.

Installation

- Drop-in

Required Accessories

K-9653 Grab Bars

Recommended Accessories

K-7161-AF Bath Drain

K-300-K High Flow Bath Valve

K-T16122-4 Bath Faucet Trim

K-24916 Wireless Music Kit

K-9696 Whirlpool 6-Jet Trim Kit



Codes/Standards

ASME A112.19.7/CSA B45.10

CSA B45.5/IAPMO Z124

ASTM E162

ASTM E662

UL 1795

CSA C22.2 No. 218.2

Greenguard UL 2818 - Gold

**KOHLER® Plastic Baths and Receptors
Lifetime Limited Warranty**




**KOHLER® Hydrotherapy Components
Five-Year Limited Warranty**

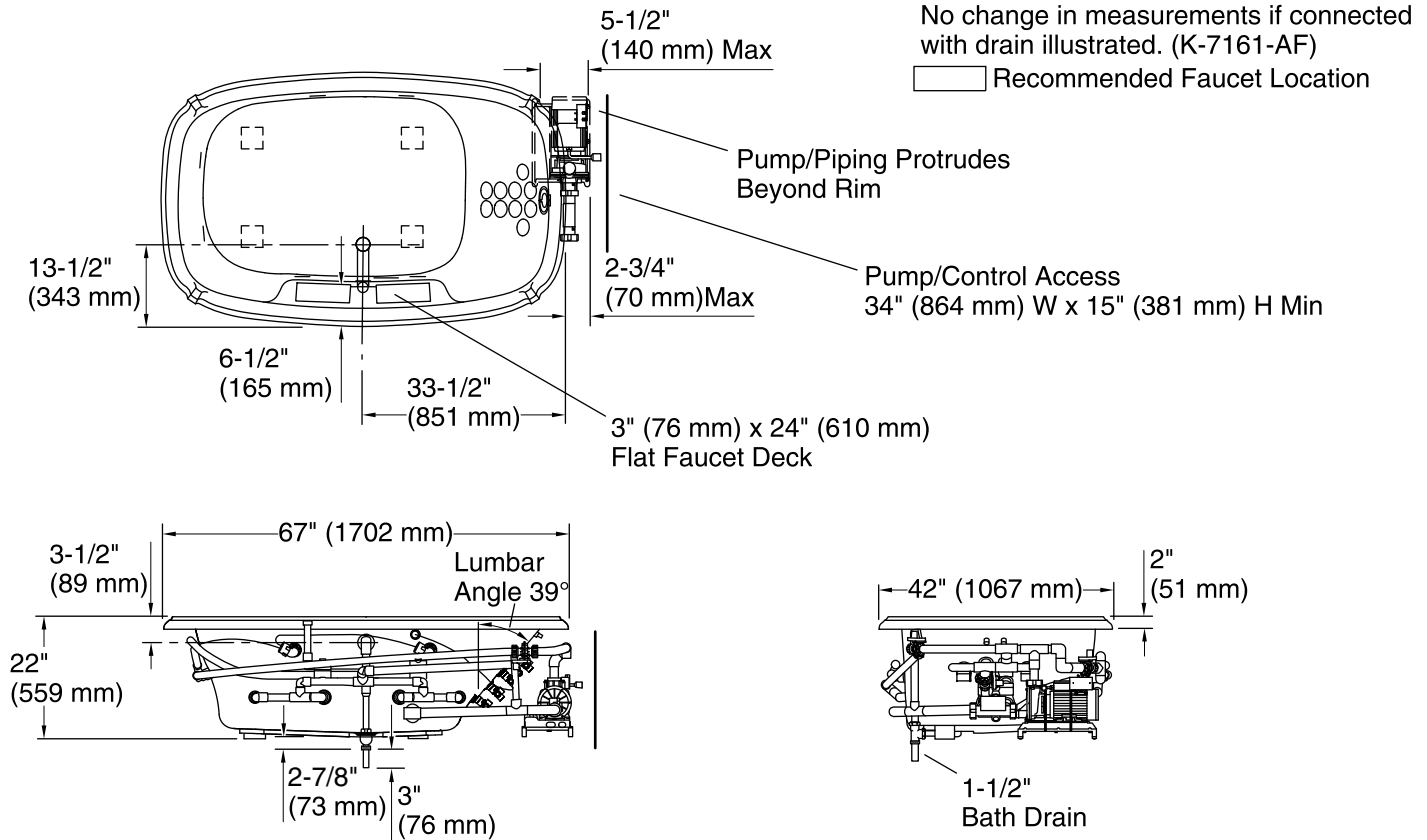
See website for detailed warranty information.

Available Color/Finishes

Color tiles intended for reference only.

| Color | Code | Description |
|-------|------|-------------|
|-------|------|-------------|

| | | |
|--------------------------------------------------------------------------------------|----|---------|
|  | 0 | White |
|  | 96 | Biscuit |
|  | 47 | Almond |



Required Electrical Service

One dedicated circuit required, protected with Class A Ground-Fault Circuit-Interrupter (GFCI) or Residual Current Device (RCD).

Pump, Heater: 240 V, 20 A, 50/60 Hz

Technical Information

All product dimensions are nominal.

| | |
|------------------------------|----------------------------------------------------------------|
| Installation: | Drop-in |
| Drain location: | Center |
| Basin area, bottom: | 40" x 27" (1016 mm x 686 mm) |
| Basin area, top: | 61" x 32" (1549 mm x 813 mm) |
| Weight: | 150 lbs (68 kg) |
| Minimum floor load: | 48 lbs/ft ² (234.4 kg/m ²) |
| Water depth: | 16" (406 mm) |
| Water capacity: | 90 gal (340.7 L) |
| Template: | Drop-in, 113311-7, required, included |
| Electrical component rating: | Pump: 240 V, 11 A, 50/60 Hz Heater: 240 V, 50/60 Hz, 1500 W |
| Pump speed: | Variable |

Notes

Measure your actual product for rough-in details. Install this product according to the installation instructions.

The hot water supply should be 70% of the capacity of the bath or greater. Installations will vary.

If installing a rim-mount faucet, make sure there is no interference above or below the deck before drilling any holes.