



Features

- Center drain.
- Integral lumbar support.
- Coordinates with other products in the Memoirs® collection.
- 72" (1829 mm) x 42" (1067 mm) x 22" (559 mm)

Material

- Acrylic

Hydrotherapy

- Six fully adjustable Flexjet™ hydrotherapy jets for water flow and direction.
- Two pulsating neckjets with pillows.
- Ten sequencing Bodyssage™ backjets.
- Variable-speed pump for adjusting hydromassage intensity.
- Built-in 1500 W heater.
- Lighted keypad control.
- Remote control.

Installation

- Drop-in

Required Accessories

K-9653 Grab Bars

Recommended Accessories

K-1491 Bath/Whirlpool Pillow
K-1601 Bath/Whirlpool Footstop
K-7161-AF Bath Drain
K-24916 Wireless Music Kit
K-9696 Whirlpool 6-Jet Trim Kit



Codes/Standards

ASME A112.19.7/CSA B45.10
CSA B45.5/IAPMO Z124
ASTM E162
ASTM E662
UL 1795
CSA C22.2 No. 218.2
Greenguard UL 2818 - Gold






**KOHLER® Plastic Baths and Receptors
Lifetime Limited Warranty
KOHLER® Hydrotherapy Components
Five-Year Limited Warranty**

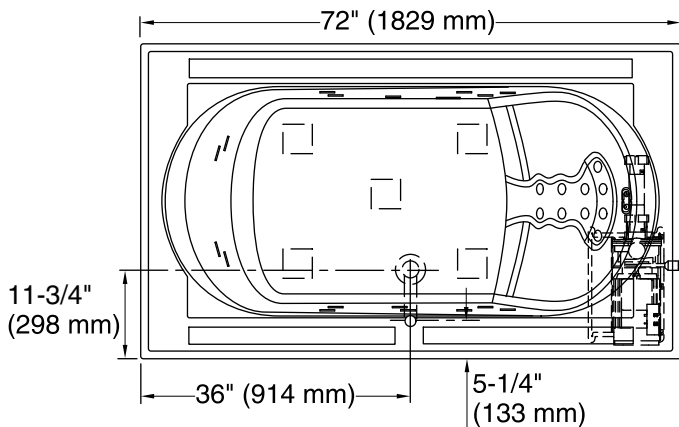
See website for detailed warranty information.

Available Color/Finishes

Color tiles intended for reference only.

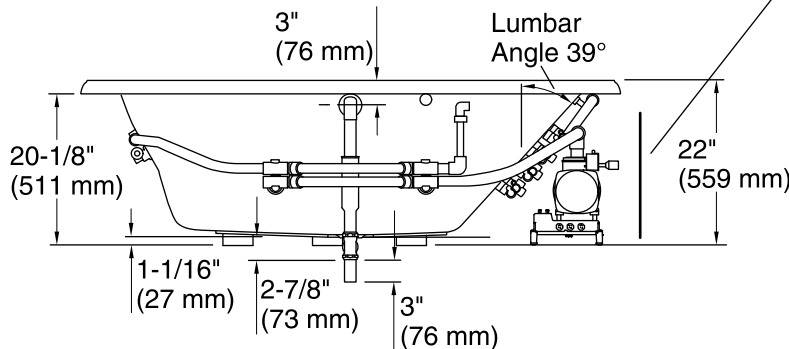
Color	Code	Description
-------	------	-------------

	0	White
	96	Biscuit
	47	Almond
	NY	Dune
	G9	Sandbar

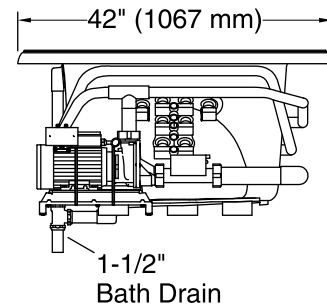


No change in measurement if connected with drain illustrated. (K-7161-AF)

 Recommended Faucet Location



Pump/Control Access
34" (864 mm) W x 15" (381 mm) H



Required Electrical Service

One dedicated circuit required, protected with Class A Ground-Fault Circuit-Interrupter (GFCI) or Residual Current Device (RCD).

Pump, Heater: 240 V, 20 A, 50/60 Hz

Technical Information

All product dimensions are nominal.

Installation:	Drop-in
Drain location:	Center
Basin area, bottom:	48" x 27" (1219 mm x 686 mm)
Basin area, top:	60" x 30" (1524 mm x 762 mm)
Weight:	140 lbs (63.5 kg)
Minimum floor load:	44 lbs/ft ² (214.8 kg/m ²)
Water depth:	16" (406 mm)
Water capacity:	86 gal (325.5 L)
Cutout:	Drop-in, 70-1/2" x 40-1/2" (1791 mm x 1029 mm)
Electrical component rating:	Pump: 240 V, 11 A, 50/60 Hz, 1500 W Heater: 240 V, 50/60 Hz, 1500 W
Pump speed:	Variable

Notes

Measure your actual product for rough-in details. Install this product according to the installation instructions.

The hot water supply should be 70% of the capacity of the bath or greater. Installations will vary.

This whirlpool is designed for drop-in installation only. It is not suited for use in a three wall alcove with an overhead shower.

If installing a rim-mount faucet, make sure there is no interference above or below the deck before drilling any holes.