



### Features

- Center drain.
- Integral fill and valves.
- One large pillow and two small pillows.
- Less trim.
- Integral lumbar support.
- 75" (1905 mm) x 45" (1143 mm) x 25" (635 mm); 27-1/2" (699 mm) in height with pillow

### Material

- Acrylic

### Hydrotherapy

- Air aspiration "On/Off" feature.
- Waterfall
- Eight fully adjustable Flexjet™ hydrotherapy jets for water flow and direction.
- Four Riverjets.
- Two variable-speed pumps for adjusting hydromassage intensity.
- Built-in 4000 W heater.
- Lighted keypad control.
- Remote control.

### Installation

- Drop-in

### Required Accessories

K-9398 Whirlpool Trim Kit  
K-9669 Hand Grab Bars  
K-T9540-4 Transfer Valve Trim

### Recommended Accessories

K-7167 Clearflo Bath Drain



### Codes/Standards

ASME A112.19.7/CSA B45.10  
CSA B45.5/IAPMO Z124  
ASTM E162  
ASTM E662  
UL 1795  
CSA C22.2 No. 218.2  
Greenguard UL 2818 - Gold



**KOHLER® Plastic Baths and Receptors  
Lifetime Limited Warranty  
KOHLER® Hydrotherapy Components  
Five-Year Limited Warranty**

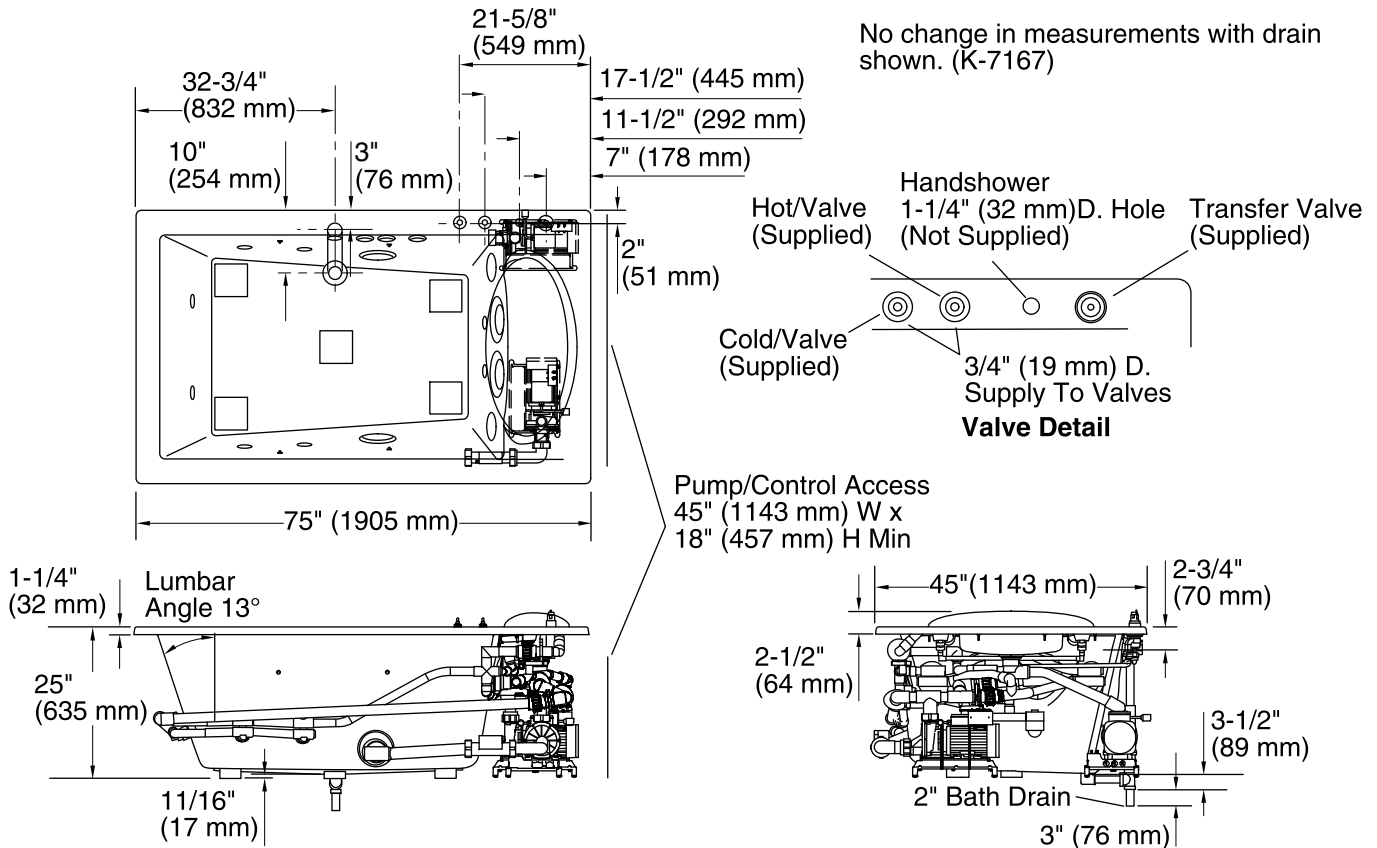
See website for detailed warranty information.

### Available Color/Finishes

*Color tiles intended for reference only.*

#### Color Code Description

	0	White
	96	Biscuit



### Required Electrical Service

Two dedicated circuits required, protected with Class A Ground-Fault Circuit-Interrupter (GFCI) or Residual Current Device (RCD).

Pump, Pump: 240 V, 20 A, 50/60 Hz  
Heater: 240 V, 20 A, 50/60 Hz

### Technical Information

All product dimensions are nominal.

Installation: Drop-in  
Drain location: Center  
Basin area, bottom: 46" x 34" (1168 mm x 864 mm)  
Basin area, top: 57" x 37" (1448 mm x 940 mm)  
Weight: 215 lbs (97.5 kg)  
Minimum floor load: 62 lbs/ft<sup>2</sup> (302.7 kg/m<sup>2</sup>)  
Water depth: 20" (508 mm)  
Water capacity: 149 gal (564 L)  
Template: Drop-in, 1000153-7, required, included  
Electrical component rating: Pump: 240 V, 9 A, 50/60 Hz  
Pump: 240 V, 9 A, 50/60 Hz  
Heater: 240 V, 17 A, 50/60 Hz, 4000 W  
Pump speed: Variable

### Notes

Measure your actual product for rough-in details. Install this product according to the installation instructions.

The hot water supply should be 70% of the capacity of the bath or greater. Installations will vary.

Consult local and national codes for minimum air gap requirements when installing a spout on the faucet deck other than that supplied.