



Features

- Left drain.
- Adjustable bath leveling system.
- Integral lumbar support.
- 75" (1905 mm) x 41" (1041 mm) x 25" (635 mm)

Material

- Acrylic

Hydrotherapy

- Effervescent bubbles with 11 ports.
- Built-in 4000 W heater.
- Cascading water over rim.
- Remote control.

Installation

- Drop-in

Required Accessories

K-7193 Bath Drain

Recommended Accessories

K-1601 Bath/Whirlpool Footstop
K-923 Wall- Or -Ceiling-Mount Bath Filler
K-18486-4 Roman Bath Filler



Codes/Standards



ASME A112.19.7/CSA B45.10
CSA B45.5/IAPMO Z124
ASTM E162
ASTM E662
UL 1795
CSA C22.2 No. 218.2
Greenguard UL 2818 - Gold

**KOHLER® Plastic Baths and Receptors
Lifetime Limited Warranty**
**KOHLER® Hydrotherapy Components
Five-Year Limited Warranty**
See website for detailed warranty information.

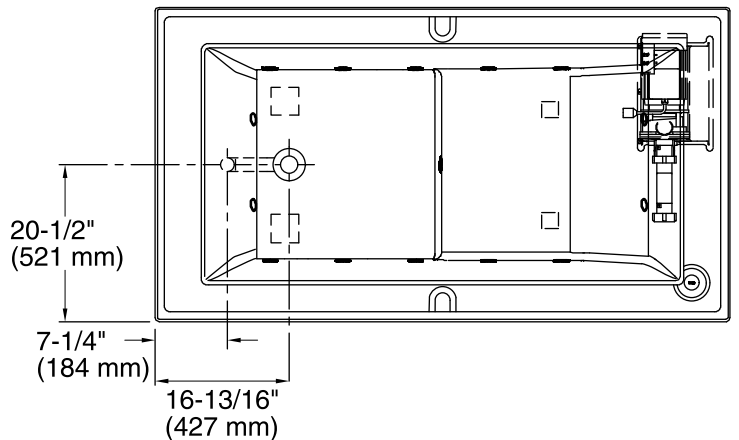
Available Color/Finishes

Color tiles intended for reference only.

Color Code Description

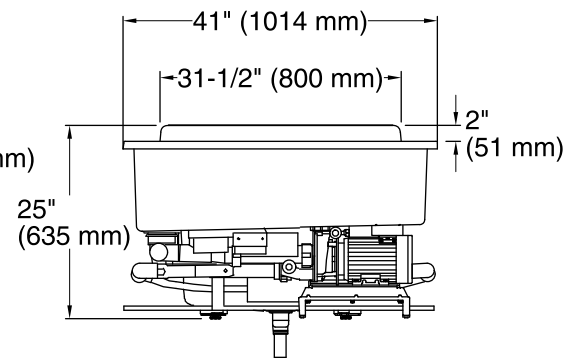
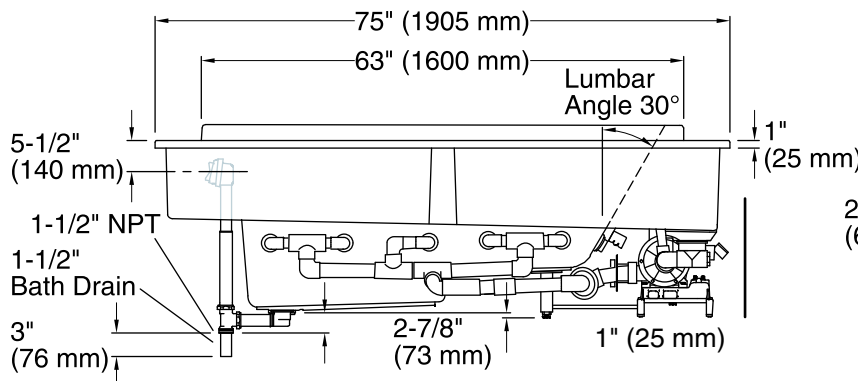
| | | |
|--|----|---------|
|  | 0 | White |
|  | 96 | Biscuit |

Overflowing Effervescence Bath K-1189-RE



No change in measurements if connected with drain illustrated. (K-7193)

Pump/Control Access
15" (381 mm) H x 40" (1016 mm) W Min



Required Electrical Service

Two dedicated circuits required, protected with Class A Ground-Fault Circuit-Interrupter (GFCI) or Residual Current Device (RCD).

Pump: 240 V, 20 A, 50/60 Hz
Heater: 240 V, 20 A, 50/60 Hz

Technical Information

All product dimensions are nominal.

Installation: Drop-in
Drain location: Left
Basin area, bottom: 45" x 25-1/2" (1143 mm x 648 mm)
Basin area, top: 61-1/2" x 30-1/4" (1562 mm x 768 mm)
Weight: 275 lbs (124.7 kg)
Minimum floor load: 65 lbs/ft² (317.4 kg/m²)
Water depth: 23-1/2" (597 mm)
Water capacity: 142 gal (537.5 L)
Cutout: Drop-in, 73-1/2" x 39-1/2" (1867 mm x 1003 mm)
Electrical component rating: Pump: 240 V, 17 A, 50/60 Hz
Heater: 240 V, 17 A, 50/60 Hz, 4000 W
Pump speed: Variable

Notes

Measure your actual product for rough-in details. Install this product according to the installation instructions.

The hot water supply should be 70% of the capacity of the bath or greater. Installations will vary.

Consult local and national codes for minimum air gap requirements when installing a spout on the faucet deck.

Unit must be filled through the bathing well.