



### Features

- 19-1/4" (489 mm) soaking depth.
- End drain.
- Overflows into horizontal overflow drain for maximum bathing depth.
- Chromotherapy lighting allows you to select a preferred color scheme to suit your mood.
- Coordinates with other products in the Purist collection.
- 72" (1829 mm) x 46" (1168 mm) x 23-3/16" (589 mm)

### Material

- Acrylic

### Hydrotherapy

- Variable-speed pump for adjusting hydromassage intensity.
- Six fully adjustable Flexjet™ hydrotherapy jets for water flow and direction.
- Two pulsating neckjets with pillows.
- Ten sequencing Bodyssage™ backjets.
- Effervescent bubbles with eight ports.
- Built-in 1500 W heater.
- Lighted keypad control.
- Remote control.

### Installation

- Drop-in or under-mount.

### Required Accessories

K-7273 Bath Drain

### Recommended Accessories

K-1601 Bath/Whirlpool Footstop  
K-24916 Wireless Music Kit  
K-589 Under-Mount Installation Kit  
K-923 Wall- Or -Ceiling-Mount Bath Filler  
K-1491 Bath/Whirlpool Pillow  
K-1703 Whirlpool Remote Control  
K-9497 2-1/2" Keypad Trim  
K-9498 3" Keypad Trim  
K-9696 Whirlpool 6-Jet Trim Kit  
K-T398-4 Bath Faucet Trim



### Codes/Standards

ASME A112.19.7/CSA B45.10  
CSA B45.5/IAPMO Z124  
ASTM E162  
ASTM E662  
UL 1795  
CSA C22.2 No. 218.2  
Greenguard UL 2818 - Gold

### KOHLER® Plastic Baths and Receptors Lifetime Limited Warranty




### KOHLER® Hydrotherapy Components Five-Year Limited Warranty

See website for detailed warranty information.

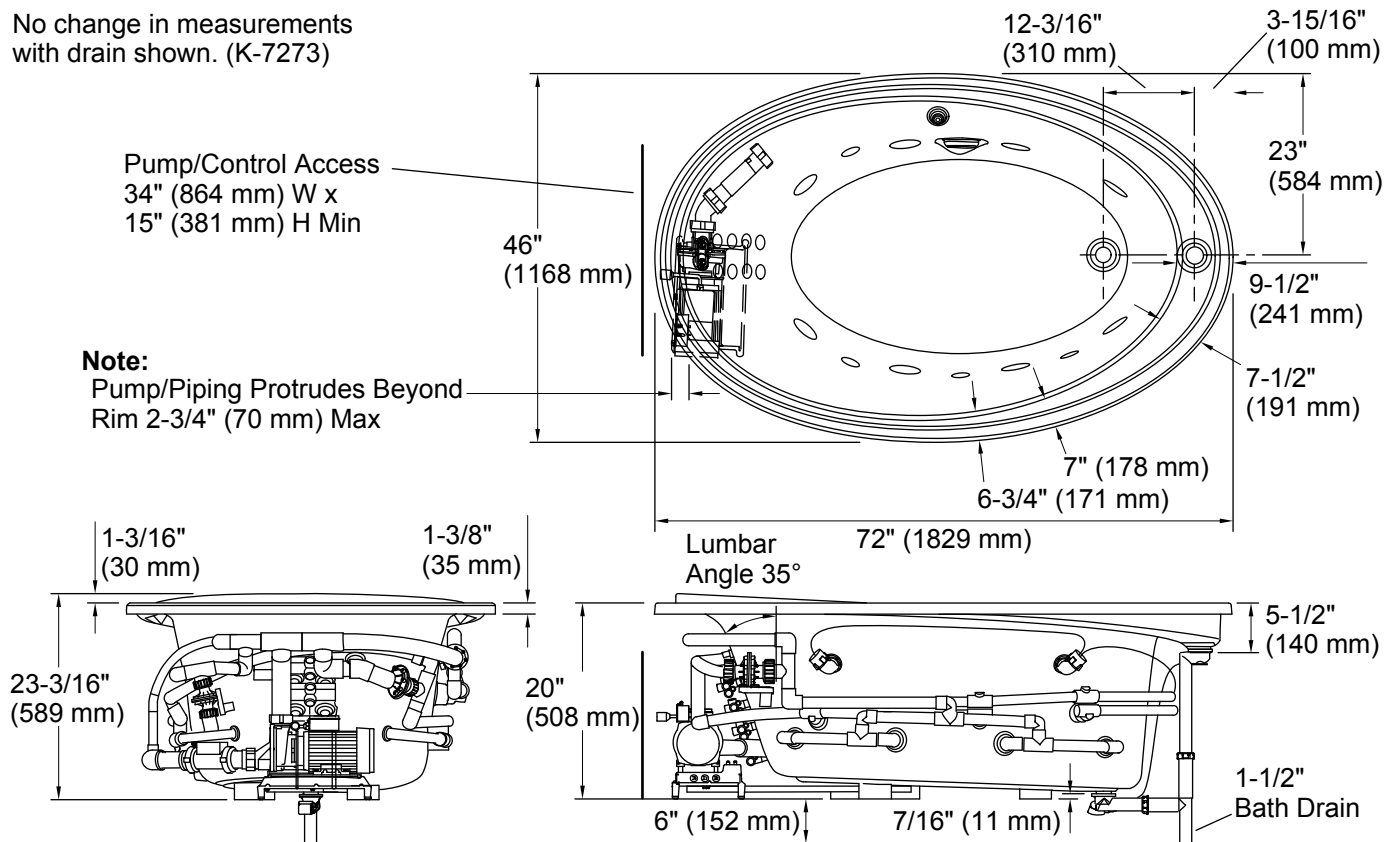
### Available Color/Finishes

*Color tiles intended for reference only.*

Color	Code	Description
-------	------	-------------

	0	White
	96	Biscuit
	47	Almond

No change in measurements with drain shown. (K-7273)



### Required Electrical Service

One dedicated circuit required, protected with Class A Ground-Fault Circuit-Interrupter (GFCI) or Residual Current Device (RCD).

Pump, Heater: 220-240 V, 20 A, 50/60 Hz

### Technical Information

All product dimensions are nominal.

Installation: Drop-in, Under-mount  
 Drain location: End  
 Basin area, bottom: 43" x 26-1/2" (1092 mm x 673 mm)  
 Basin area, top: 55" x 36" (1397 mm x 914 mm)  
 Weight: 160 lbs (72.6 kg)  
 Minimum floor load: 43 lbs/ft<sup>2</sup> (209.9 kg/m<sup>2</sup>)  
 Water depth: 19-1/4" (489 mm)  
 Water capacity: 96 gal (363.4 L)  
 Template: Drop-in, 1016369-7, required, included  
 Electrical component rating: Pump: 240 V, 11 A, 50/60 Hz  
 Heater: 220-240 V, 6.25 A, 50/60 Hz, 1500 W  
 Pump speed: Variable

### Notes

Measure your actual product for rough-in details. Install this product according to the installation instructions.

The hot water supply should be 70% of the capacity of the bath or greater. Installations will vary.

Kit is required for under-mount installations (sold separately).

Pump/piping protrudes beyond rim (see drawing).