



### Features

- Center drain.
- One large pillow and two small pillows.
- Less trim.
- Integral lumbar support.
- 66" (1676 mm) x 25" (635 mm); 27-1/2" (699 mm) in height with pillow

### Material

- Acrylic

### Hydrotherapy

- Air aspiration "On/Off" feature.
- Waterfall
- Eight fully adjustable Flexjet™ hydrotherapy jets for water flow and direction.
- Four Riverjets.
- Two variable-speed pumps for adjusting hydromassage intensity.
- Built-in 4000 W heater.
- Lighted keypad control.
- Remote control.

### Installation

- Drop-in

### Required Accessories

K-9398 Whirlpool Trim Kit

### Recommended Accessories

K-7167 Clearflo Bath Drain



### Codes/Standards

ASME A112.19.7/CSA B45.10  
CSA B45.5/IAPMO Z124  
ASTM E162  
ASTM E662  
UL 1795  
CSA C22.2 No. 218.2  
Greenguard UL 2818 - Gold

**KOHLER® Plastic Baths and Receptors  
Lifetime Limited Warranty**



**KOHLER® Hydrotherapy Components  
Five-Year Limited Warranty**

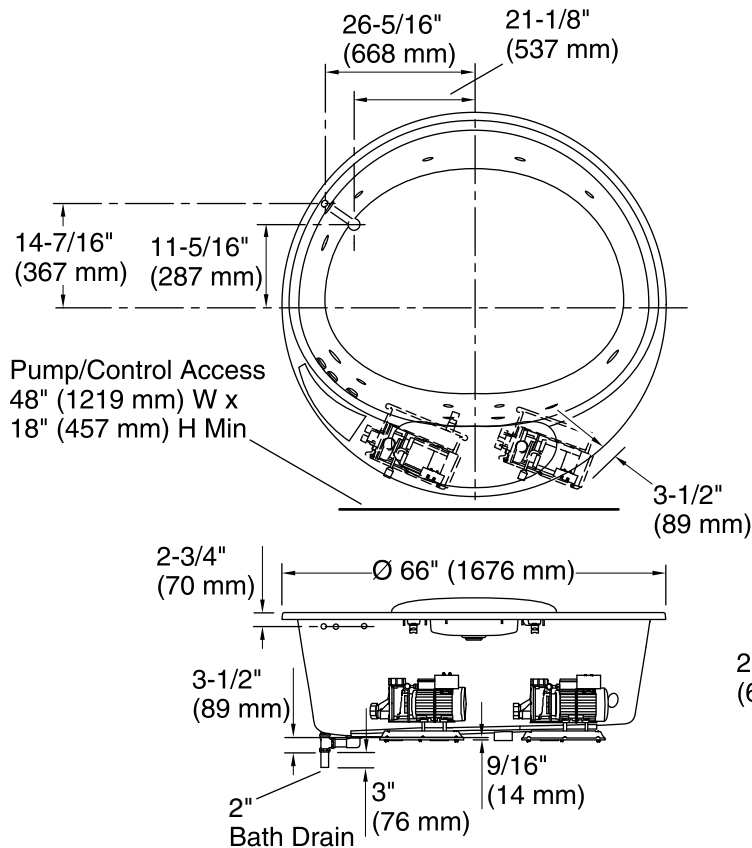
See website for detailed warranty information.

### Available Color/Finishes

*Color tiles intended for reference only.*

#### Color Code Description

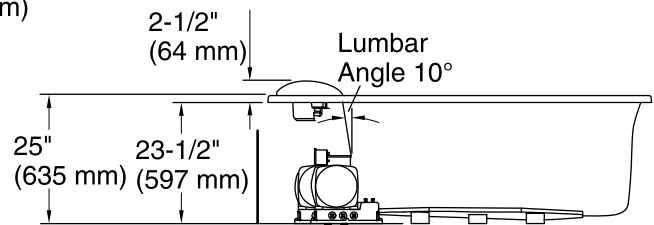
	0	White
	96	Biscuit



No change in measurements if connected with drain illustrated. (K-7167)

Drop-in cut-out Ø 64-1/2" (1638 mm)

□ Recommended Faucet Location



### Required Electrical Service

Two dedicated circuits required, protected with Class A Ground-Fault Circuit-Interrupter (GFCI) or Residual Current Device (RCD).

Pump, Pump: 240 V, 20 A, 50/60 Hz  
 Heater: 240 V, 20 A, 50/60 Hz

### Technical Information

All product dimensions are nominal.

Installation: Drop-in  
 Drain location: Center  
 Basin area, bottom: 54-1/2" x 44" (1384 mm x 1118 mm)  
 Basin area, top: 61-5/8" x 54-1/2" (1565 mm x 1384 mm)  
 Weight: 260 lbs (117.9 kg)  
 Minimum floor load: 54 lbs/ft<sup>2</sup> (263.7 kg/m<sup>2</sup>)  
 Water depth: 19" (483 mm)  
 Water capacity: 196 gal (741.9 L)  
 Template: Drop-in, 1006705-7, required, included  
 Electrical component rating:  
 Pump: 240 V, 9 A, 50/60 Hz  
 Pump: 240 V, 9 A, 50/60 Hz  
 Heater: 240 V, 17 A, 50/60 Hz, 4000 W  
 Pump speed: Variable

### Notes

Measure your actual product for rough-in details. Install this product according to the installation instructions.

The hot water supply should be 70% of the capacity of the bath or greater. Installations will vary.

If installing a rim-mount faucet, make sure there is no interference above or below the deck before drilling any holes.

If installing a rim-mount faucet, make sure there is no interference above or below the deck before drilling any holes.