

### Features

- End drain.
- Integral lumbar support.
- Pre-drilled for grab bars.
- 66" (1676 mm) x 36" (914 mm) x 23" (584 mm)

### Material

- Cast iron with Safeguard® finish.

### Hydrotherapy

- Six fully adjustable Flexjet™ hydrotherapy jets for water flow and direction.
- Ten sequencing Bodyssage™ backjets.
- Two pulsating neckjets with pillows.
- Built-in 1500 W heater.
- Lighted keypad control.
- Remote control.

### Installation

- Drop-in

### Required Accessories

K-7148-AF 1-1/2" Contoured Pop-up Drain  
K-9653 Grab Bars

### Recommended Accessories

K-1601 Bath/Whirlpool Footstop  
K-9498 3" Keypad Trim  
K-9696 Whirlpool 6-Jet Trim Kit  
K-587 Under-Mount Installation Kit  
K-1179 Vinyl Tiling-in Bead



### Codes/Standards

ASME A112.19.1/CSA B45.2  
ASME A112.19.7/CSA B45.10  
ASTM F462  
UL 1795  
CSA C22.2 No. 218.2









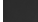
### KOHLER® Enameled Cast Iron Bath and Shower Base Lifetime Limited Warranty

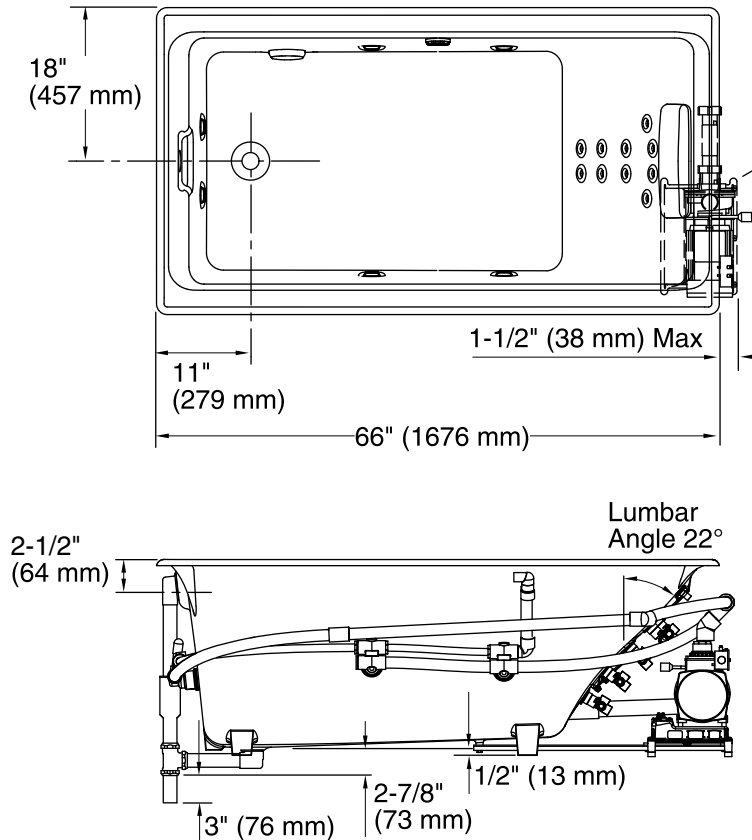
### KOHLER® Hydrotherapy Components Five-Year Limited Warranty

See website for detailed warranty information.

### Available Color/Finishes

*Color tiles intended for reference only.*

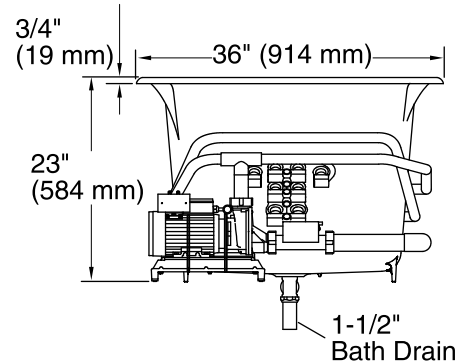
Color	Code	Description
	0	White
	96	Biscuit
	47	Almond
	NY	Dune
	95	Ice™ Grey
	G9	Sandbar
	K4	Cashmere
	58	Thunder™ Grey
	7	Black Black™



No change in measurements if connected with drain illustrated. (K-7148-AF)

**NOTE:** Pump/piping protrudes beyond rim.

Pump/Control Access  
 34" (864 mm) W x  
 15" (381 mm) H Min



### Required Electrical Service

One dedicated circuit required, protected with Class A Ground-Fault Circuit-Interrupter (GFCI) or Residual Current Device (RCD).

Pump, Heater: 240 V, 20 A, 50/60 Hz

### Technical Information

All product dimensions are nominal.

Installation:	Drop-in, Under-mount
Drain location:	End
Basin area, bottom:	45" x 25" (1143 mm x 635 mm)
Basin area, top:	58" x 29" (1473 mm x 737 mm)
Weight:	510 lbs (231.3 kg)
Minimum floor load:	81 lbs/ft <sup>2</sup> (395.5 kg/m <sup>2</sup> )
Water depth:	18" (457 mm)
Water capacity:	96 gal (363.4 L)
Cutout:	Drop-in, 65-1/2" x 35-1/2" (1664 mm x 902 mm)
Electrical component rating:	Pump: 240 V, 50/60 Hz Heater: 240 V, 6 A, 1500 W
Pump speed:	Variable
Minimum flat for door:	1-13/16" (46 mm)

### Notes

Measure your actual product for rough-in details. Install this product according to the installation instructions.

The hot water supply should be 70% of the capacity of the bath or greater. Installations will vary.

Kit is required for under-mount installations (sold separately).

Cast iron whirlpools are extremely heavy, making some drop-in installations difficult. Splitting the deck/surround is recommended if installing into a deck.