



### Features

- Left drain.
- Chromatherapy lighting allows you to select a preferred color scheme to suit your mood.
- Adjustable bath leveling system.
- Integral lumbar support.
- 75" (1905 mm) x 41" (1041 mm) x 25" (635 mm)

### Material

- Acrylic

### Hydrotherapy

- Effervescent bubbles with 11 ports.
- Built-in 4000 W heater.
- Cascading water over rim.
- Remote control.

### Installation

- Drop-in

### Required Accessories

K-7193 Bath Drain

### Recommended Accessories

K-1601 Bath/Whirlpool Footstop  
K-923 Wall- Or -Ceiling-Mount Bath Filler  
K-924 Optional Drip Tray  
K-18486-4 Roman Bath Filler



### Codes/Standards

ASME A112.19.7/CSA B45.10  
CSA B45.5/IAPMO Z124  
ASTM E162  
ASTM E662  
UL 1795  
CSA C22.2 No. 218.2  
Greenguard UL 2818 - Gold



**KOHLER® Plastic Baths and Receptors  
Lifetime Limited Warranty  
KOHLER® Hydrotherapy Components  
Five-Year Limited Warranty**

See website for detailed warranty information.

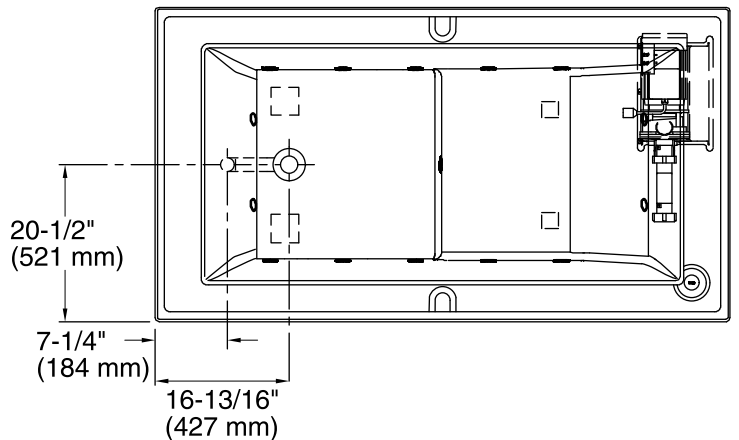
### Available Color/Finishes

*Color tiles intended for reference only.*

#### Color Code Description

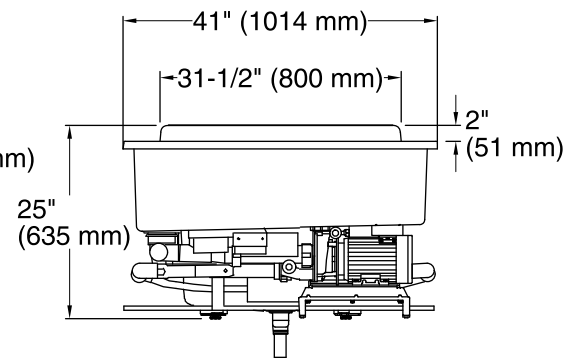
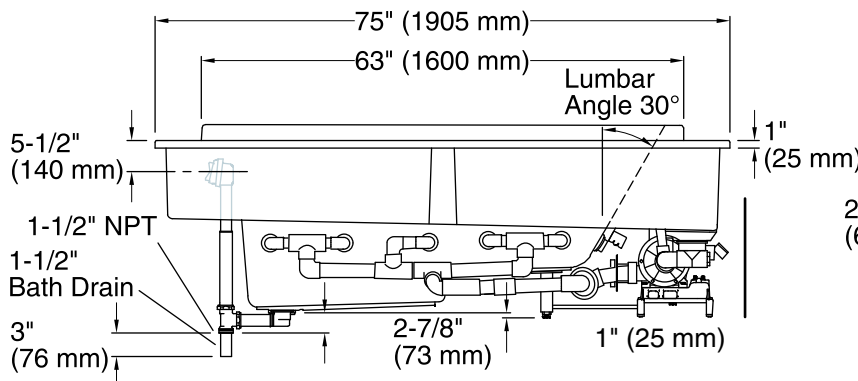
	0	White
	96	Biscuit

## Overflowing Effervescence Bath K-1189-C1



No change in measurements if connected with drain illustrated. (K-7193)

Pump/Control Access  
15" (381 mm) H x 40" (1016 mm) W Min



### Required Electrical Service

Two dedicated circuits required, protected with Class A Ground-Fault Circuit-Interrupter (GFCI) or Residual Current Device (RCD).

Pump: 240 V, 20 A, 50/60 Hz  
Heater: 240 V, 20 A, 50/60 Hz

### Technical Information

All product dimensions are nominal.

Installation: Drop-in  
Drain location: Left  
Basin area, bottom: 45" x 25-1/2" (1143 mm x 648 mm)  
Basin area, top: 61-1/2" x 30-1/4" (1562 mm x 768 mm)  
Weight: 275 lbs (124.7 kg)  
Minimum floor load: 65 lbs/ft<sup>2</sup> (317.4 kg/m<sup>2</sup>)  
Water depth: 23-1/2" (597 mm)  
Water capacity: 142 gal (537.5 L)  
Cutout: Drop-in, 73-1/2" x 39-1/2" (1867 mm x 1003 mm)  
Electrical component rating: Pump: 240 V, 17 A, 50/60 Hz  
Heater: 240 V, 17 A, 50/60 Hz, 4000 W  
Pump speed: Variable

### Notes

Measure your actual product for rough-in details. Install this product according to the installation instructions.

The hot water supply should be 70% of the capacity of the bath or greater. Installations will vary.

Consult local and national codes for minimum air gap requirements when installing a spout on the faucet deck.

Unit must be filled through the bathing well.