



Features

- Center drain.
- Integral fill and valves.
- Chromatherapy lighting allows you to select a preferred color scheme to suit your mood.
- One large pillow and two small pillows.
- Less trim.
- Integral lumbar support.
- 75" (1905 mm) x 25" (635 mm); 27-1/2" (699 mm) in height with pillow

Material

- Acrylic

Hydrotherapy

- Air aspiration "On/Off" feature.
- Waterfall
- Eight fully adjustable Flexjet™ hydrotherapy jets for water flow and direction.
- Four Riverjets.
- Two variable-speed pumps for adjusting hydromassage intensity.
- Built-in 4000 W heater.
- Lighted keypad control.
- Remote control.

Installation

- Drop-in

Required Accessories

K-9398 Whirlpool Trim Kit
K-T9540-4 Transfer Valve Trim

Recommended Accessories

K-7167 Clearflo Bath Drain



Codes/Standards

ASME A112.19.7/CSA B45.10
CSA B45.5/IAPMO Z124
ASTM E162
ASTM E662
UL 1795
CSA C22.2 No. 218.2
Greenguard UL 2818 - Gold

**KOHLER® Plastic Baths and Receptors
Lifetime Limited Warranty**



**KOHLER® Hydrotherapy Components
Five-Year Limited Warranty**

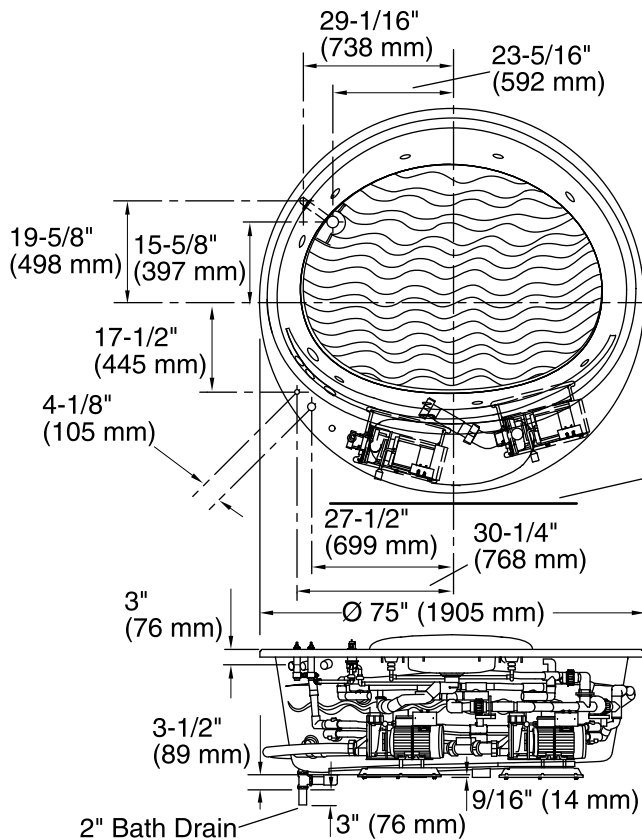
See website for detailed warranty information.

Available Color/Finishes

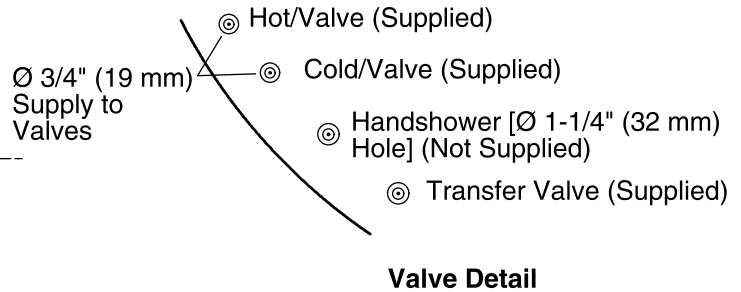
Color tiles intended for reference only.

Color Code Description

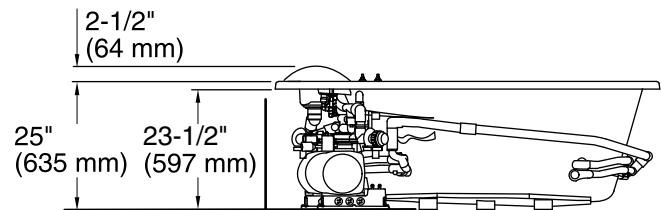
	0	White
	96	Biscuit



No change in measurements if connected with drain illustrated. (K-7167)



Pump/Control Access
48" (1219 mm) W
18" (457 mm) H Min



Required Electrical Service

Two dedicated circuits required, protected with Class A Ground-Fault Circuit-Interrupter (GFCI) or Residual Current Device (RCD).

Pump, Pump: 240 V, 20 A, 50/60 Hz
Heater: 240 V, 20 A, 50/60 Hz

Technical Information

All product dimensions are nominal.

Installation: Drop-in
Drain location: Center
Basin area, bottom: 64" x 46" (1626 mm x 1168 mm)
Basin area, top: 68" x 58" (1727 mm x 1473 mm)
Weight: 290 lbs (131.5 kg)
Minimum floor load: 54 lbs/ft² (263.7 kg/m²)
Water depth: 20" (508 mm)
Water capacity: 215 gal (813.9 L)
Template: Drop-in, 1000554-7, required, included
Drop-in, 1000555-7, required, included
1000556-7, not required, included
1000557-7, not required, included

Notes

Measure your actual product for rough-in details. Install this product according to the installation instructions.

The hot water supply should be 70% of the capacity of the bath or greater. Installations will vary.

Consult local and national codes for minimum air gap requirements when installing a spout on the faucet deck other than that supplied.