

Features

- End drain.
- Integral lumbar support.
- 60" (1524 mm) x 32" (813 mm) x 18-1/4" (464 mm)

Material

- Cast iron with Safeguard® finish.

Installation

- Drop-in, under-mount, or alcove.

Required Accessories

K-7169-AF 1-1/2" Contoured Pop-up Drain

Recommended Accessories

K-586 Under-Mount Installation Kit
K-1172 Adjustable Feet
K-1179 Vinyl Tiling-in Bead
K-1491 Bath/Whirlpool Pillow
K-1601 Bath/Whirlpool Footstop
K-702200-G54 Frameless Sliding Bath Door
K-702200-G73 Frameless Sliding Bath Door
K-702200-L Frameless Sliding Bath Door
K-702205-L Frameless Sliding Bath Door
K-706000-D3 Frameless Sliding Bath Door
K-706000-L Frameless Sliding Bath Door
K-706003-L Frameless Sliding Bath Door
K-706004-D3 Frameless Sliding Bath Door
K-706004-L Frameless Sliding Bath Door
K-706007-L Frameless Sliding Bath Door



ADA

Codes/Standards









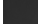
ASME A112.19.1/CSA B45.2
ASTM F462
ADA
ICC/ANSI A117.1

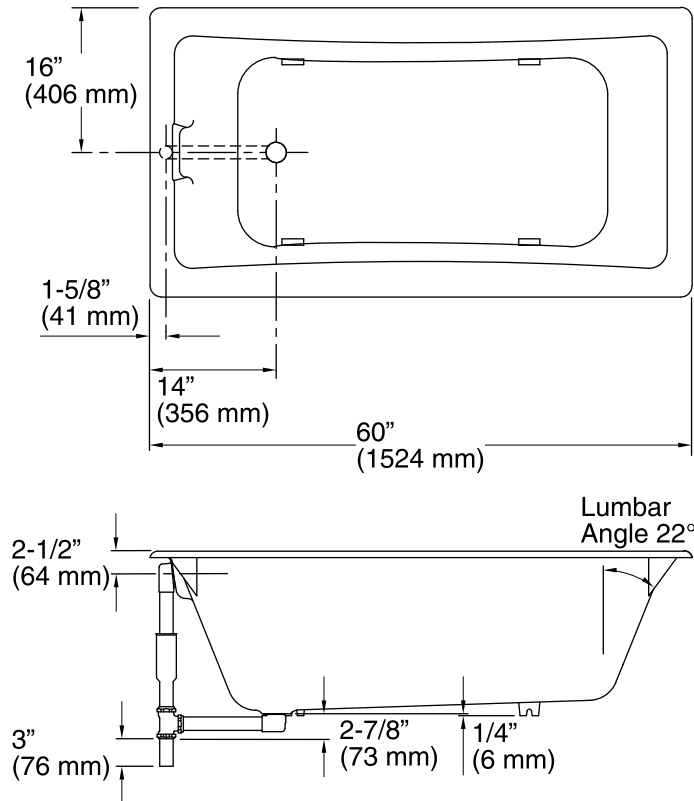
KOHLER® Enameled Cast Iron Bath and Shower Base Lifetime Limited Warranty

See website for detailed warranty information.

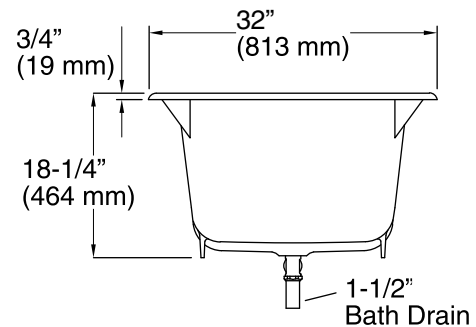
Available Color/Finishes

Color tiles intended for reference only.

Color	Code	Description
	0	White
	96	Biscuit
	47	Almond
	NY	Dune
	95	Ice™ Grey
	G9	Sandbar
	K4	Cashmere
	58	Thunder™ Grey
	7	Black Black™



No change in measurements if connected with drain illustrated. (K-7169-AF)



Technical Information

All product dimensions are nominal.

Installation:	Drop-in, Under-mount, 3-Wall Alcove
Drain location:	End
Basin area, bottom:	40-1/2" x 20" (1029 mm x 508 mm)
Basin area, top:	52-3/4" x 24" (1340 mm x 610 mm)
Weight:	250 lbs (113.4 kg)
Minimum floor load:	58 lbs/ft ² (283.2 kg/m ²)
Water depth:	13-5/8" (346 mm)
Water capacity:	60 gal (227.1 L)
Cutout:	Drop-in, 58-1/2" x 30-1/2" (1486 mm x 775 mm)
Template:	Under-mount, K-586, required, not included
Minimum flat for door:	2-1/4" (57 mm)

Notes

Measure your actual product for rough-in details. Install this product according to the installation instructions.

The hot water supply should be 70% of the capacity of the bath or greater. Installations will vary.

Kit is required for under-mount installations (sold separately).

ADA compliant when installed to the specific requirements of these regulations.