

SOPHIA

29600 SERIES BATHWARE

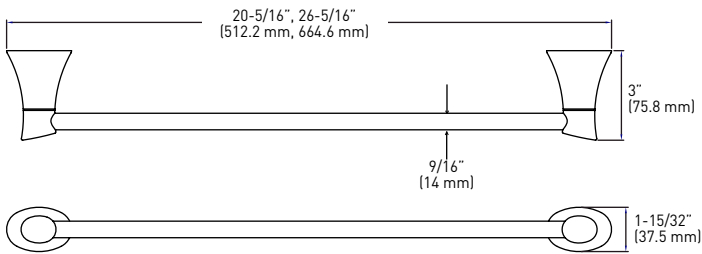


SPECIFICATIONS

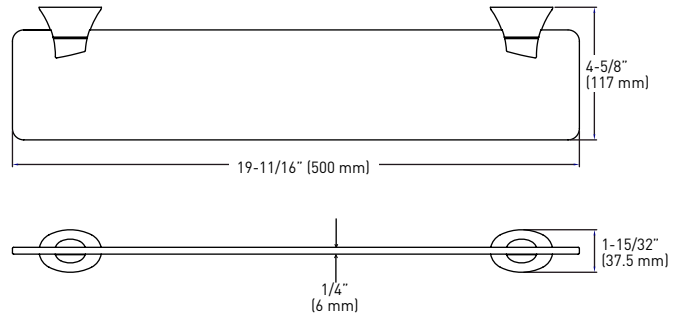
- › CONCEALED SCREW MOUNT FOR A STREAMLINED LOOK
- › CONSTRUCTED OF HIGH-GRADE METAL
- › INCLUDES MOUNTING HARDWARE FOR EASY SETUP
- › EASY TO INSTALL WITH A PHILLIPS SCREWDRIVER
- › TOWEL BAR TUBE SIZE: 9/16" (14 mm)
- › INCLUDES STEEL MOUNTING PLATES: 7/8" (23 mm) X 1-5/16" (33 mm); NYLON ANCHORS AND STEEL PHILLIPS HEAD SCREWS: 1-1/4" (32 mm)
- › ZINC DIE CAST CONSTRUCTION (POSTS) AND STEEL (TUBES)
- › LIMITED LIFETIME WARRANTY

DESCRIPTION	POLISHED CHROME 26	MATERIAL	CASE PACK
18" TOWEL BAR	02-D29618	ZINC/STEEL	4
24" TOWEL BAR	02-D29624	ZINC/STEEL	4
SINGLE ROBE HOOK	02-D29601	ZINC	4
TOWEL RING	02-D29604	ZINC/STEEL	4
20" (500 mm) GLASS SHELF	02-D29613	ZINC/GLASS	4
PAPER/TOWEL HOLDER	02-D29648	ZINC/STEEL	4

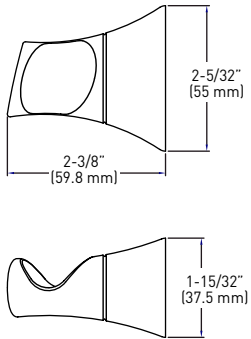
TOWEL BAR



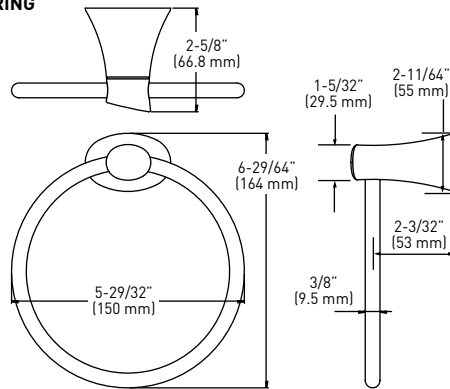
GLASS SHELF



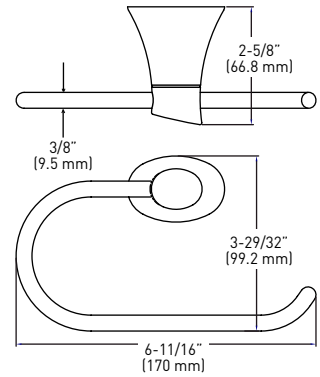
SINGLE ROBE HOOK



TOWEL RING



PAPER HOLDER/TOWEL HOLDER



MEASUREMENTS SUBJECT TO A 3% VARIANCE.

