



### MAINTENANCE AND CARE INSTRUCTIONS

Olympia products are designed and engineered under strict quality standards. Regular and proper care of our products will ensure years of trouble free service. To clean, simply wipe with a damp, soft cloth. Do not use abrasive or harsh cleaners as they may result in finish damage. Regularly remove and clean minor debris from the aerator.

### TO SET OR ADJUST TEMPERATURE LIMIT STOP

**Caution:** Valve is preset at the factory at maximum setting. Adjust as necessary. Please see instructions below:

1. Turn off water at the source and relieve pressure.
2. Remove handle (F) by removing hot/cold button and loosening handle set screw, lift up.
3. Unscrew cap (E) and retaining nut (D) by turning counter clockwise.
4. Raise the red adjustment ring on the ceramic disc cartridge.
5. Turn adjustment ring counter clockwise to decrease temperature setting then replace the adjustment ring on the ceramic disc cartridge.
6. Reassemble and test until desired temperature is reached. (Note: Ensure a proper alignment of cartridge with notch in valve body.)

### TROUBLE SHOOTING

A. If faucet has low flow:	1. Ensure water supplies are fully open.
	2. Remove aerator, clean all internal debris and tighten the aerator back.
	3. If low flow continues, remove and clean cartridge (C) by following procedures above.
B. If water leaks under the faucet:	1. Check SST flex hose and center outlet line connections and supply line hookups to ensure they are tightly fastened.
C. If water leaks below the handle:	1. Ensure assembly of cartridge (C), retaining nut (D) and cap (E) are securely tighten. Replace cartridge (C) if necessary.

### OLYMPIA FAUCETS, INC. LIMITED LIFETIME WARRANTY \*

Olympia Faucets, Inc. warrants its products to the original consumer purchaser to be free from defects in material and workmanship as long as the consumer purchaser owns it. Dated proof of purchase must accompany all warranty claims. PVD finishes carry a lifetime warranty in residential service.

Olympia Faucets, Inc. will replace, free of charge, to the original consumer purchaser, any and all parts that prove defective under normal installation, use, and service. Damage as a result of misuse, abuse, accident, or improper installation, will consequentially void this warranty. Replacement parts can be obtained from your local dealer or directly from Olympia Faucets. Olympia Faucets, Inc. recommends using a certified plumber for all faucet installation and repair.

This warranty is limited to replacement of defective parts only. Incidental and consequential damages, labor charges, repair, or replacement costs are expressly excluded. Some states do not allow the exclusion or limitation of incidental or consequential damages, so the above limitation may not apply to you. This warranty gives you specific legal rights, as you may have other rights of which vary from state to state.

Installation or maintenance and cleaning must be in compliance with instructions furnished with every Olympia product. If you find a problem with your product, please immediately contact your nearest Olympia Faucets, Inc. dealer or sales representative.

\* 2 year limited warranty on commercial and multi-family projects.



## INSTALLATION AND MAINTENANCE INSTRUCTIONS FOR OLYMPIA SINGLE HANDLE KITCHEN PULL-DOWN FAUCET

THIS PRODUCT MEETS THE FOLLOWING STANDARDS: ASME A112.18.1 ~ ANSI A117.1 ~ ANSI / NSF 61, SECTION 9 ~ UPC / IAPMO LISTED / ADA COMPLIANT ~ COMPLIES WITH CALIFORNIA LEAD PLUMBING LAW

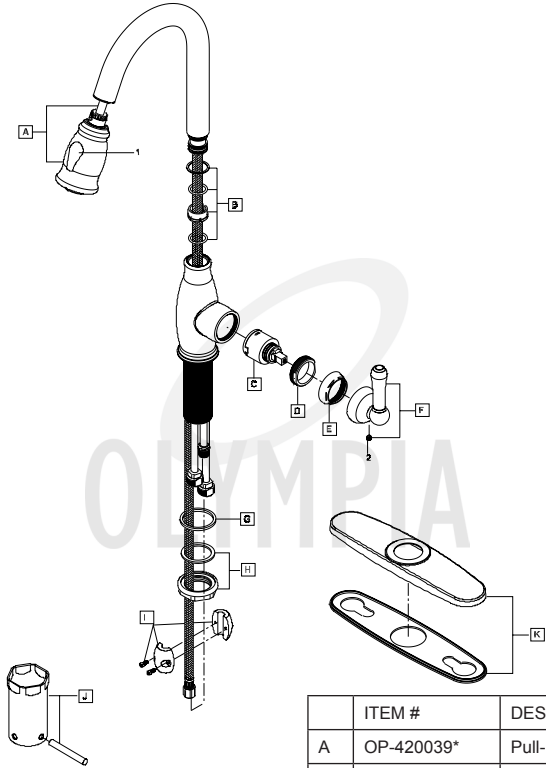
### PRODUCT NUMBERS

**#K-5040**    Lever Handle ~ Pull-down Spray





Thank you for purchasing this quality product. Olympia products are rigorously tested to provide long service under normal conditions. Prior to installation, familiarize yourself with this parts diagram. Make sure that you have all of the illustrated parts for your Olympia product before installation.



	ITEM #	DESCRIPTION
	A	OP-420039* Pull-Down Spray Head & Hose
	A	OP-420040* 1.5 GPM Pull-Down Spray Head & Hose
	B	OP-420041 Spout repair Kit
	C	OP-320002 Ceramic Disc Cartridge
	D	OP-420042 Retainer Nut
	E	OP-420043* Cap
	F	OP-120002* Lever Handle
	G	OP-420044 Washer
	H	OP-520005 Locknut
	I	OP-420014 Weight
	J	OP-520008 Mounting Tool
	K	OP-420045* Deck Plate
	1	OP-420046 Button
	2	OP-420047 Allen Screw

\* Note- Please Specify finish\color code while ordering.

## INSTALLATION INSTRUCTIONS

### Tools you will need:

- Plumbers Putty
- Screwdriver
- Pipe Wrench
- Basin Wrench
- Teflon Tape
- Flexible Supply Lines
- Adjustable Wrench
- Soft Cloth

**WATER SUPPLY HOOKUPS (NOT PROVIDED):- Choose hook-ups for 1/2" I.P.S. Connections :- Ball Nose Riser (3/8" O.D. Copper Tubing) With Supply Nuts or 1/2" I.P.S. faucet connector**

### FOR 3 HOLE INSTALLATION:

- Carefully shut off both hot and cold water from under the sink. Plug the sink drain with a soft cloth to prevent intrusion of debris or the loss of any faucet parts. If this installation is for a replacement, carefully remove the existing faucet and clean the entire surface of the sink mounting holes.
- Position the faucet on the top of deck plate(K), Place adequate amount of plumbers putty along the base gasket if necessary. Note:-Put base gasket under deck plate. Place deck plate with base gasket (K) on the mounting surface. Lead supply lines through the center hole.
- Attach locknut (H) onto the faucet and tighten with the help of mounting tool (J) until the faucet is securely in place. Do not overtighten.
- Connect pull-down spray head hose (A) to the faucet center outlet line from underneath.
- From below, attach the weight (I) onto the spray hose (A).
- Connect inlet lines to hot (LEFT INLET) and cold (RIGHT INLET) water supply lines. Connect water supply lines to water supply stops. Use with teflon tape for threaded connections.
- Turn on the hot and cold water. Check all around for any leaks.

### FOR 1 HOLE INSTALLATION:

- Carefully shut off both hot and cold water from under the sink. Plug the sink drain with a soft cloth to prevent intrusion of debris or the loss of any faucet parts. If this installation is for a replacement, carefully remove the existing faucet and clean the entire surface of the sink mounting holes.
- Position the faucet, and from below, tighten the locknut (H) with the help of mounting tool (J) to secure faucet to the mounting surface, Do not overtighten.
- Connect pull-down spray head hose (A) to the faucet center outlet line from underneath.
- From below, attach the weight (I) onto the spray hose (A)
- Connect inlet lines to hot (LEFT INLET) and cold (RIGHT INLET) water supply lines. Connect water supply lines to water supply stops. Use with teflon tape for threaded connections.
- Turn on the hot and cold water. Check all around for any leaks.



For more care information or trouble shooting inquiries about your Olympia product, please call:  
**OLYMPIA FAUCETS, INC.** (888) 772-7701  
 Central Standard Time: 8:00am ~ 7:00pm  
[www.olympiafaucets.com](http://www.olympiafaucets.com)