

PARTS BREAKDOWN SHEET



i2 SINGLE HANDLE PULL-DOWN KITCHEN FAUCET



Model #: _____
Specific Features: _____
Project Name: _____
Submitted For: _____
Date: _____

- Lever Handle
- Pull-Down Swivel 360°
- Pull-Down Head with 2 Spray Patterns Swivel 360°
- 7-5/8" Reach, 8-5/8" From Deck to Aerator
- Ceramic Disc Cartridge
- 1 or 3-Hole 8" Installation
- Easy-Install 30" Flex Supply Lines With 3/8" Connections
- Deck Cover Plate Included

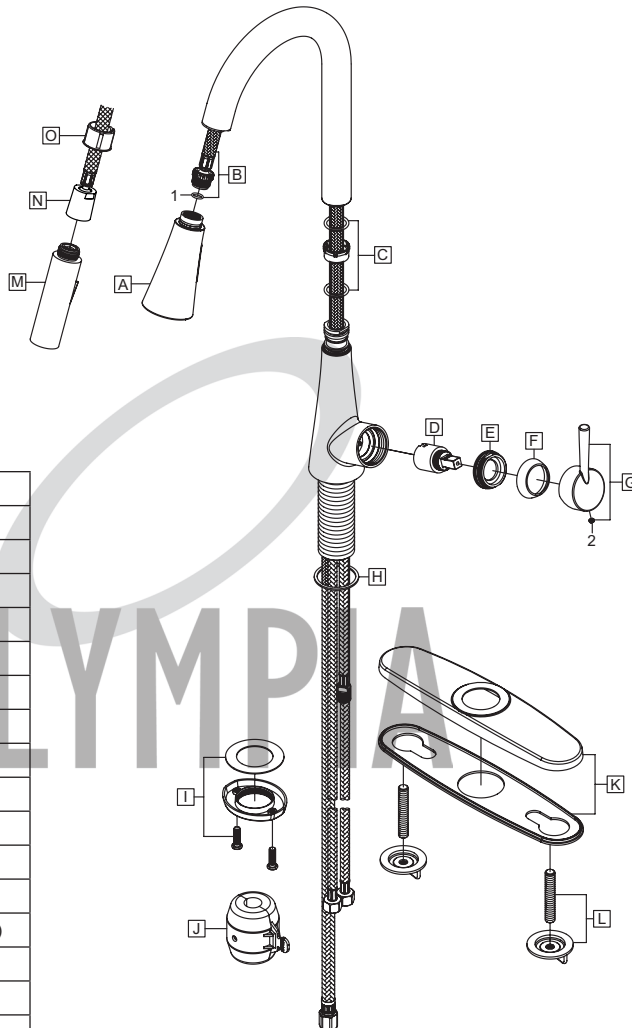
K-5020 SHOWN **ADA**

Model #	Features	Finish	
K-5020*		CP	
K-5020-BN*		PVD BN	
K-5025*		CP	
K-5025-BN*		PVD BN	

* Aerator limited to 1.8 GPM Flow Rate

Olympia products are engineered and manufactured to meet the following standards and codes:

- ASME A112.18.1
- ANSI A117.1
- IAPMO LISTED (For K-5020)
- ANSI / NSF 61, SECTION 9
- CONTAINS NO MORE THAN 0.25% WEIGHTED AVERAGE LEAD CONTENT



ITEM #	DESCRIPTION
A	OP-420054* Pull-Down Spray Head (For K-5020)
B	OP-420055 Spray Hose and O-ring (For K-5020)
C	OP-420056 Spout Repair Kit
D	OP-390003 Ceramic Disc Cartridge
E	OP-420057 Retainer Nut
F	OP-420058* Cap
G	OP-120004* Lever Handle
H	OP-420059 Washer
I	OP-520015 Mounting Kit with Screws
J	OP-420070 Click Weight
K	OP-420045* Deck Plate
L	OP-520003 Mounting Kit
M	X-4200181* 1.8 GPM Pull-Down Spray Head (For K-5025)
N	X-4200111 Spray Hose (For K-5025)
O	X-4200178 Spray Head Support (For K-5025)
1	OP-420060 O-Ring (For K-5020)
2	OP-420061 Allen Screw

* Note- Please Specify finish\color code while ordering.