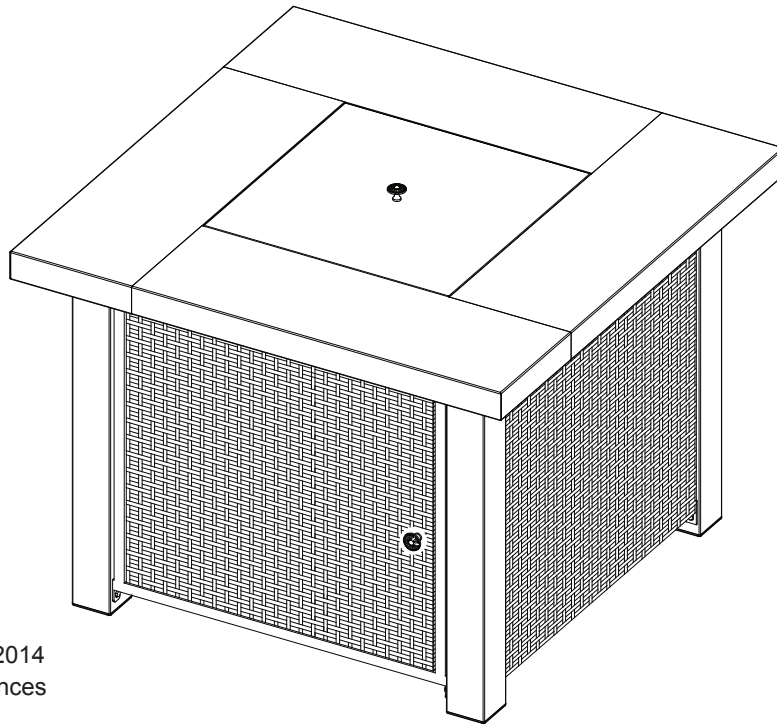


OUTDOOR PROPANE FIREPIT

MODEL #OFG419T

Espanol p. 27

Français p. 53



Propane cylinders
sold separately.



C US

ANS Z21.97-2014 • CSA 2.41-2014
Outdoor Decorative Gas Appliances

IMPORTANT INSTRUCTIONS

PLEASE READ THIS MANUAL BEFORE INSTALLING AND USING APPLIANCE

WARNING!

IF THE INFORMATION IN THIS MANUAL IS NOT FOLLOWED EXACTLY,
AN ELECTRICAL SHOCK OR FIRE MAY RESULT
CAUSING PROPERTY DAMAGE, PERSONAL INJURY OR LOSS OF LIFE.

INSTALLER: Leave this manual with the consumer.
CONSUMER: Retain this manual for future reference.

ATTACH YOUR RECEIPT HERE

Serial Number _____ Purchase Date _____



Questions, problems, missing parts? Before returning to your retailer, call our customer service department at 1-877-447-4768, 8:30AM – 4:30PM CST, Monday – Friday, or log on to customerservice@ghpgroupinc.com

TABLE OF CONTENTS

Safety Information	4
Package Contents	7
Preparation	8
Assembly Instructions.....	9
Operation Instructions	17
Care and Maintenance	22
Warranty	23
Troubleshooting	24
Replacement Parts List	26

⚠ WARNING: For Outdoor Use Only.

⚠ DANGER:

If you smell gas:

1. Shut off gas to the appliance.
2. Extinguish any open flame.
3. If odor continues, keep away from the appliance and immediately call your gas supplier or your fire department.

⚠ WARNING:

Do not store or use gasoline or other flammable vapors or liquids in the vicinity of this or any other appliance.

An LP cylinder not connected for use shall not be stored in the vicinity of this or any other appliance.

⚠ Warning: Improper installation, adjustment, alteration, service or maintenance can cause injury or property damage. Refer to the owner's information manual provided with this appliance. For assistance or additional information consult a qualified installer, service agency or the gas supplier.

⚠ DANGER



CARBON MONOXIDE HAZARD

This appliance can produce carbon monoxide which has no odor.

Using it in an enclosed space can kill you.

Never use this appliance in an enclosed space such as a camper, tent, car or house.

LP-GAS CYLINDER LABEL

**⚠ DANGER • FLAMMABLE GAS UNDER PRESSURE.
LEAKING LP-GAS MAY CAUSE A FIRE OR EXPLOSION IF IGNITED
CAUSING SERIOUS BODILY INJURY OR DEATH.
CONTACT LP GAS SUPPLIER FOR REPAIRS, OR DISPOSAL OF THIS
CYLINDER OR UNUSED LP-GAS.**

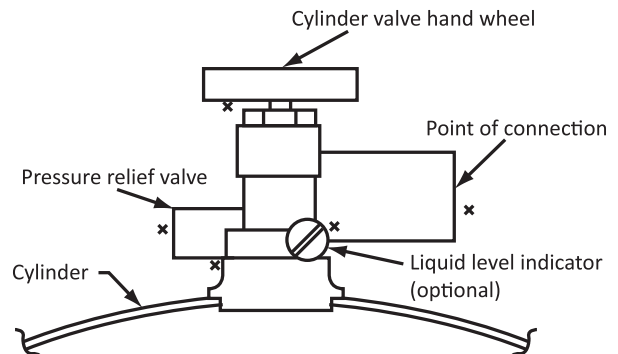
**⚠ WARNING • FOR OUTDOOR USE ONLY.*
DO NOT USE OR STORE CYLINDER IN A BUILDING,
GARAGE OR ENCLOSED AREA.**

⚠ WARNING:

- Know the odor of LP-gas. If you hear, see or smell leaking LP-gas, immediately get everyone away from the cylinder and call the Fire Department. Do not attempt repairs.
- Caution your LP-gas supplier to:
 - Be certain cylinder is purged of trapped air prior to first filling.
 - Be certain not to over fill the cylinder.
 - Be certain cylinder requalification date is checked.
- LP-gas is heavier than air and may settle in low places while dissipating.
- Contact with the liquid contents of cylinder will cause freeze burns to the skin.
- Do not allow children to tamper or play with cylinder.
- When not connected for use, keep cylinder valve turned off. Self contained appliances shall be limited to a cylinder of 30 lb capacity or less.
- Do not use, store or transport cylinder where it would be exposed to high temperatures. Relief valve may open allowing a large amount of flammable gas to escape.
- When transporting, keep cylinder secured in an upright position with cylinder valve turned off.

WHEN CONNECTING FOR USE:

- Use only in compliance with applicable codes.
- Read and follow manufacturer's instructions.
- Consult manufacturer's instructions concerning the cylinder connection provided with your appliance.
- Be sure regulator vent is not pointing up.
- Turn off all valves on the appliance.
- Do not check for gas leaks with a match or open flame. Apply soapy water at areas marked "X". Open cylinder valve. If bubble appears, close valve and have LP-gas service person make needed repairs. Also, check appliance valves and connections to make sure they do not leak before lighting appliance.
- Light appliance(s) following manufacturer's instructions.
- When appliance is not in use, keep the cylinder valve closed.



**DO NOT REMOVE, DEFACE, OR OBLITERATE THIS LABEL
*EXCEPT AS AUTHORIZED BY ANSI/NFPA 58.**

⚠ DANGER. Do not store a spare LP cylinder under or near a barbecue grill, or other heat sources.
NEVER fill an LP cylinder beyond 80% full: a fire causing death or serious injury may occur.

SAFETY INFORMATION

Please read and understand this entire manual before attempting to assemble, operate or install the product. If you have any questions regarding the product, please call customer service at 1-877-447-4768 8:30AM – 4:30PM CST, Monday – Friday.

DANGER

- Failure to follow the dangers, warnings and cautions contained in this owner's manual may result in serious bodily injury or death, or in a fire or an explosion causing damage to property.

WARNING

- Maximum inlet gas supply pressure: 250 psi/ 1750 kPa. Manifold pressure with regulator provided: 11 inch E.C./ 2.74 kPa.
- This appliance shall be used only outdoors in a well-ventilated space and shall not be used in a building, garage or any other enclosed area.
- DO NOT use this appliance for cooking
- The installation of this product must conform with local codes or, in absence of local codes, with either the National Fuel Gas Code, ANSIZ223.1/NFPA 54, or the CAN/CGA-B149.1, Natural Gas and Propane Installation Code.
- Do not use this appliance if any part has been under water. Immediately call a qualified service technician to inspect the appliance and to replace any part of the control system and any gas control that has been under water.
- Do not store a spare or disconnected propane cylinder under or near this appliance.
- Do not operate the propane appliance if there is a gas leak present.
- Never use a flame to check for gas leaks.
- Clearance to combustible materials minimum of 24 inches/ 60.96 cm from the sides of your propane appliance and minimum of 72 inches/ 182.88 cm from the top of your propane appliance. Only place unit on non-combustible surfaces.
- Do not put any other appliance cover or anything flammable on, or beneath the appliance.
- **The propane appliance should never be used by children. Young children should be carefully supervised when they are in the area of the appliance.**
- **Children and adults should be alerted to the hazards of high surface temperatures and keep a safe distance to avoid burning or clothing ignition.**
- Should fire go out while burning, turn the gas valve off. Follow the instructions and wait five minutes before attempting to relight.
- Never use wood or any other solid fuel in the appliance. Solid fuels shall not be burned in this gas fire pit.
- **Never hang or place clothing or other flammable materials on or near the appliance.**
- Never lean over the operating appliance or place hands or fingers on the upper portion of the operational unit.
- Keep ventilation openings in cylinder enclosure free and clear of debris.
- Do not alter the appliance.
- The conversion or attempted use of natural gas in a propane unit or propane gas in a natural gas unit is dangerous.
- For use with cylinders marked PROPANE only. DO NOT connect to a remote gas supply.
- Do not use this appliance on vehicles or boats. Always operate the appliance on a flat/level surface.

SAFETY INFORMATION

WARNING

- Keep any electrical supply cord and fuel supply hose away from any heated surfaces.
- Keep your appliance free and clear from combustible materials, gasoline and other flammable vapors and liquids.
- Visually inspect burner for obstructions. Keep tank enclosure free and clear from debris.
- Do not use this appliance unless all parts are in place.
- **Any guard or other protective device removed for servicing the appliance must be replaced prior to operating the appliance.**
- The hose assembly must be replaced prior to the appliance being put into operation if there is evidence of excessive abrasion or wear or if the hose is damaged. The replacement hose assembly shall be specified by the manufacturer.
- **Installation and repair should be done by a qualified service person. The appliance should be inspected before use and at least annually by a qualified service person. More frequent cleaning may be required as necessary. It is imperative that control compartment, burners and circulating air passageways of the appliance be kept clean.**
- The propane gas supply cylinder to be used must be constructed and marked in accordance with the Specifications for LP Gas Cylinders of the U.S. Department of Transportation (D.O.T.) or the National Standard of Canada, CAN/CSA-B339, Cylinders, Spheres and Tubes for Transportation of Dangerous Goods; and Commission, as applicable; and provided with a listed overfilling prevention device.
- Use only 20-pound cylinders (height: 18.11 inches/46 cm, tank diameter: 9.84 inches/25 cm, foot diameter: 8.03 inches/20.4 cm) equipped with a cylinder connection device compatible with the connection for the hose regulator supplied with this appliance. The cylinder must include a collar to protect the cylinder valve. The gas cylinder should not be dropped or handled roughly!
- Cylinders must be stored outdoors in a well-ventilated area out of the reach of children.
- Disconnect the cylinder when the appliance is not being used.
- Disconnected cylinders must have valve caps tightly installed and must not be stored in building or any other enclosed area.
- Do not use this appliance under umbrellas, awnings, etc.
- Only use the appliance on stable surfaces.
- Do not operate with a vinyl or PVC cover.
- Allow the unit to cool before placing a vinyl or PVC cover on the unit.
- Do not sit on unit.
- Never use charcoal or lighter fluid with the fire pit.
- Do not use gasoline, kerosene or alcohol for lighting.
- Never keep a filled LP cylinder in a hot car or car trunk. Heat will cause the gas pressure to increase, which may open the relief valve and allow gas to escape.
- Do not lean over fire pit when lighting. Read instructions before lighting.
- If the flame extinguishes accidentally during ignition or operation, immediately TURN OFF the cylinder valve and then TURN OFF the control knob.

 **WARNING**

FOR PROPANE GAS UNITS

- The gas pressure regulator provided with the propane appliance must be used.
- The replacement pressure regulator must be those specified by the appliance manufacturer.
- Do not attempt to disconnect the gas cylinder or any gas fitting while your appliance is in operation.
- A dented or rusty propane cylinder may be hazardous and should be checked by your gas supplier prior to use.
- Do not use a propane cylinder with a damaged valve and any other worn out parts.
- Transit and store the empty gas cylinders carefully and properly.
- If you see, smell or hear the hiss of escaping gas from the propane cylinder:
 1. Disconnect propane gas cylinder
 2. Do not attempt to correct the problem yourself.
 3. Get to your gas supplier and/or the fire department for help.

CALIFORNIA PROPOSITION 65

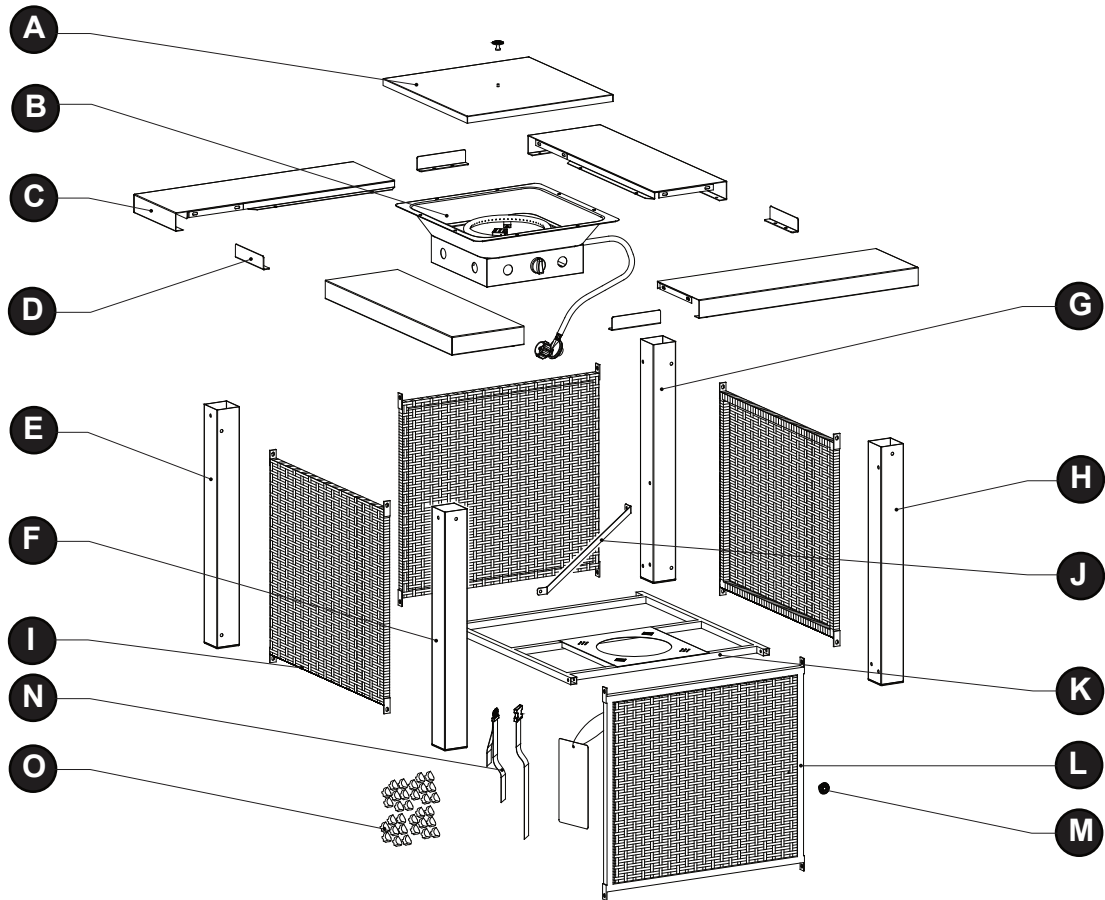
Combustion by-products produced when using this product contain chemicals, including Benzene, known to the State of California to cause cancer, birth defects, and other reproductive harm.

 **CAUTION**

GLASS ROCKS

1. Do not light or use gas unit if glass rocks are wet. Make sure glass rocks are completely dry before lighting as intense heat could cause the rock to crack.
2. Glass rocks could hit a person's face or eyes during the initial startup of this unit. Keep away from the appliance for the first 20 minutes after lighting.

PACKAGE CONTENTS OFG419T

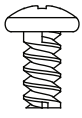


PART	DESCRIPTION	QTY.
A	Table Lid	1
B	Burner Assembly	1
C	1/4 Table	4
D	Angle Iron	4
E	Back Bracket Post (Left)	1
F	Front Bracket Post (Left)	1
G	Back Bracket Post (Right)	1
H	Front Bracket Post (Right)	1
I	Side Panel	3

PART	DESCRIPTION	QTY.
J	Gas Cylinder Block Belt	1
K	Bottom plate	1
L	Door	1
M	Knob	2
N	Propane Tank Strap	1
O	Glass Rocks (One Pack)	1

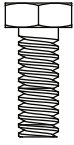
HARDWARE USED

AA



Screw
M4 X 5
Qty. 2

BB



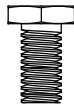
Bolt
M6 X 30
Qty. 4

CC



Nut
M6
Qty. 8

DD



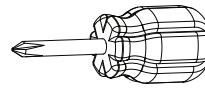
Bolt
M6 X 12
Qty. 42

EE



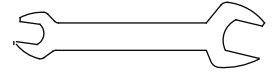
Screw
M5 X 12
Qty. 4

FF



Phillips
screwdriver
Qty. 1

GG



Wrench
Qty. 1

PREPARATION

Before beginning assembly of product, make sure all parts are present. Compare parts with package contents list and hardware contents above. If any part is missing or damaged, do not attempt to assemble the product. Contact customer service for replacement parts.

Estimated Assembly Time: 60 minutes

Tools required for assembly (not included):
Leak Detection Solution.

⚠ CAUTION

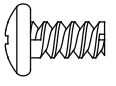
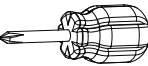
THIS UNIT IS HEAVY. Two people required for safe assembly.

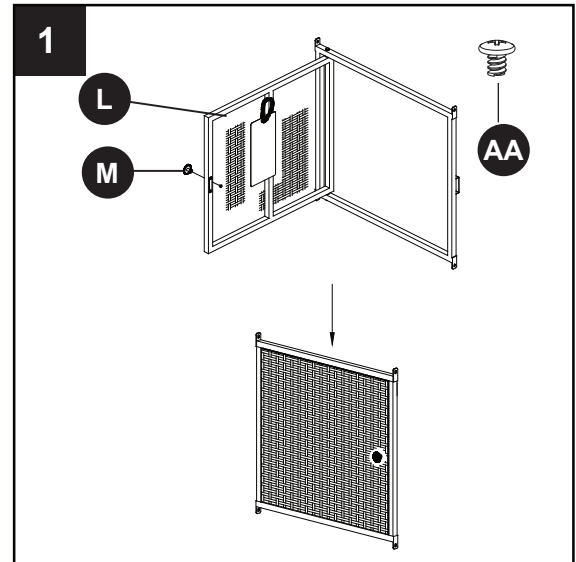
Two people required for safe assembly. Some parts may contain sharp edges. Wear protective gloves if necessary. Read and follow all safety statements, warnings, assembly instructions and use and care instructions before attempting to assemble and use.

ASSEMBLY INSTRUCTIONS

1. Attach the knob (M) on the door (L) with one M4 X 5 screw (AA).

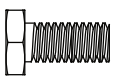
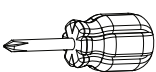
Hardware Used

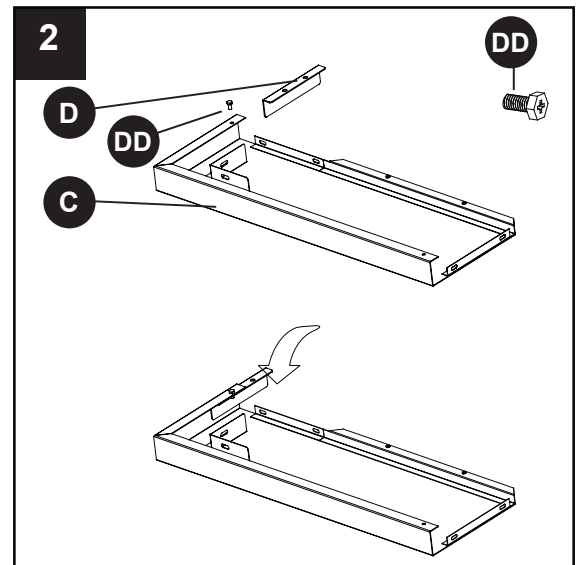
- AA** Screw M4 X 5  x 1
- FF** Phillips screwdriver  x 1



2. Attach an angle iron (D) to 1/4 table (C) with M6 X 12 bolt (DD). Repeat procedure to complete the assembly of the rest of three 1/4 tables. Do not tighten completely at this time.

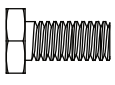

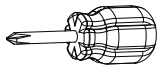
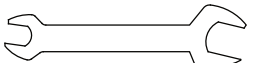
Hardware Used

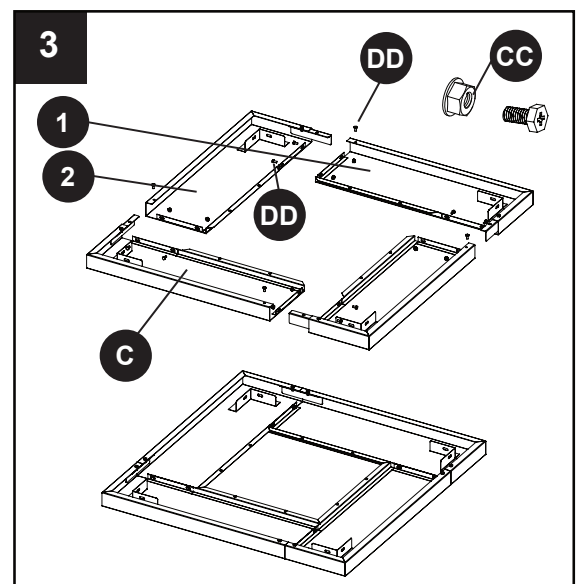
- DD** Bolt M6 X 12  x 4
- FF** Phillips screwdriver  x 1



3. Line up holes in a 1/4 table (C) with corresponding holes from another 1/4 table (C). Insert two M6 X 12 bolts (DD) through holes. Finger tighten with two M6 nuts (CC). Be sure ① and ② are level and fully tightened. Repeat procedure to complete the assembly of the rest of 1/4 tables. Once the 4 panels are connected with 2 bolts per connection point, use another M6 x 12 bolt (DD) to secure the edges at four points around the table. Tighten the loose bolts from step two completely.

Hardware Used

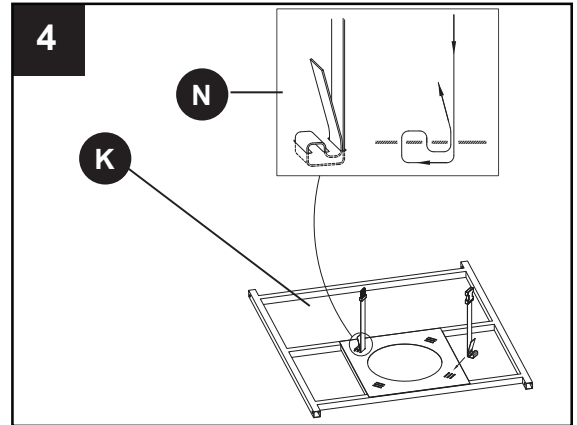
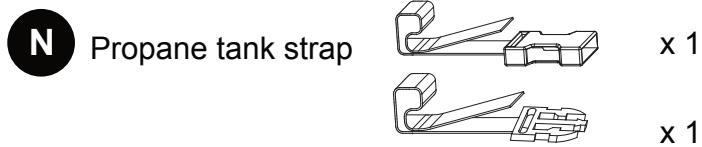
- DD** Bolt M6 X 12  x 12
- CC** Nut M6  x 8
- FF** Phillips screwdriver  x 1
- GG** Wrench  x 1



ASSEMBLY INSTRUCTIONS

4. Attach propane tank strap (N) to bottom plate (K) .

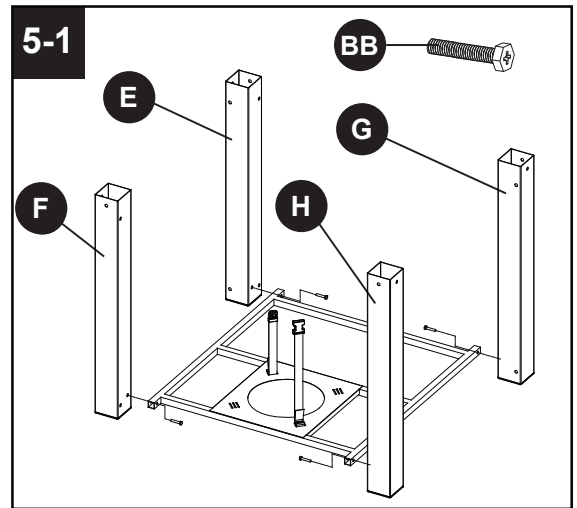
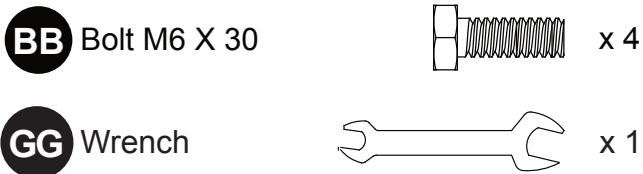
Hardware Used



5. Bracket Post Installation.

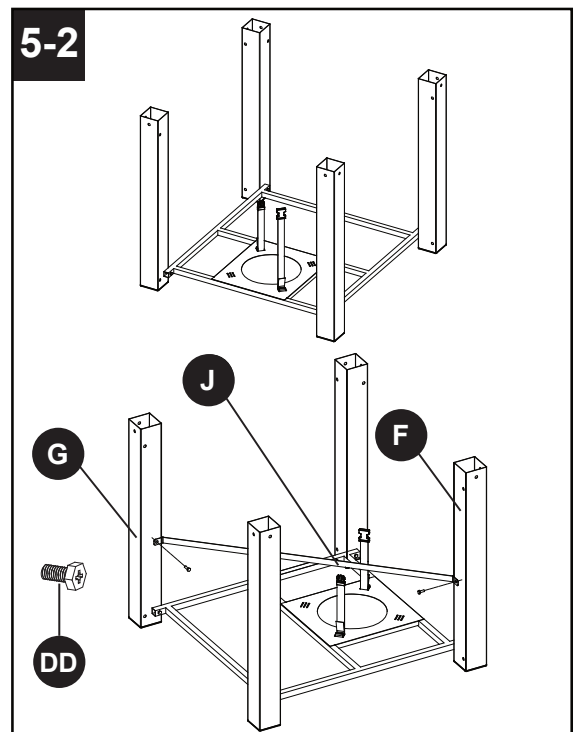
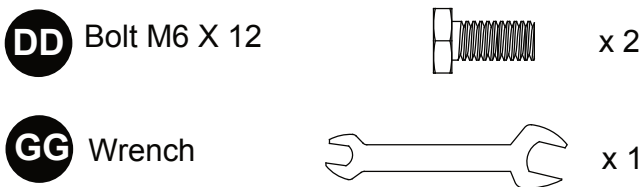
5-1. Attach four bracket posts (E, F, G, H) to the bottom plate with four M6 X 30 bolts (BB).

Hardware Used



5-2. After assembly, attach the bracket posts (F, G) and gas cylinder block belt (J) with two M6 X 12 bolts (DD).

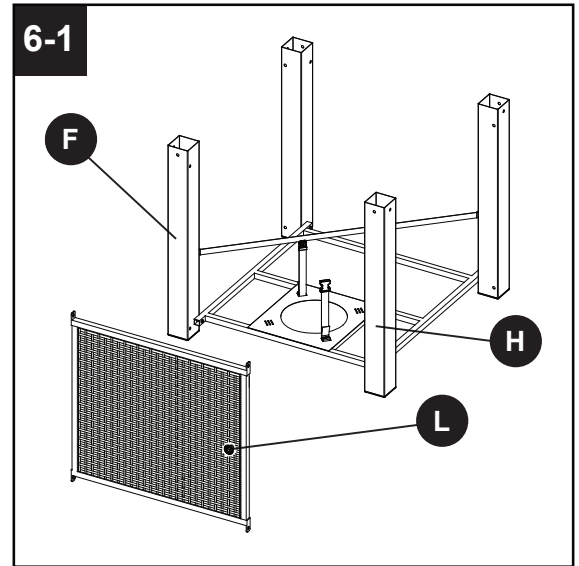
Hardware Used



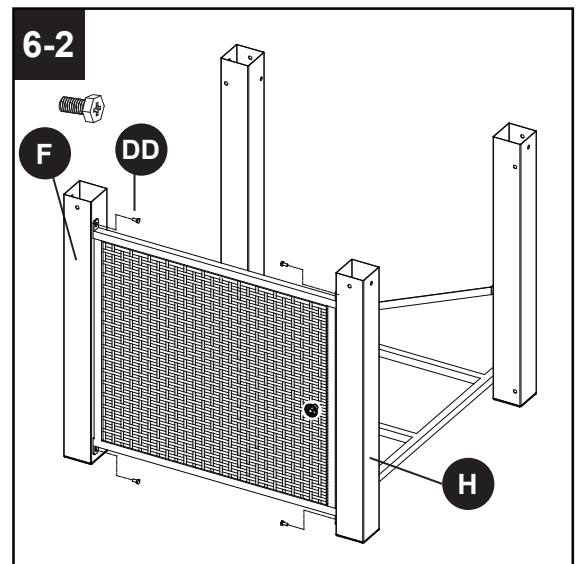
ASSEMBLY INSTRUCTIONS

6. Door Installation.

6-1. Place door (L) between posts F and H.

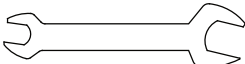


6-2. Position door between posts F (left) and H (right) so that the knob is on the right near post H. Attach the door bracket to post F (left) with two M6 X 12 bolts (DD). Attach to post H (right) with two more M6 X 12 bolts (DD).



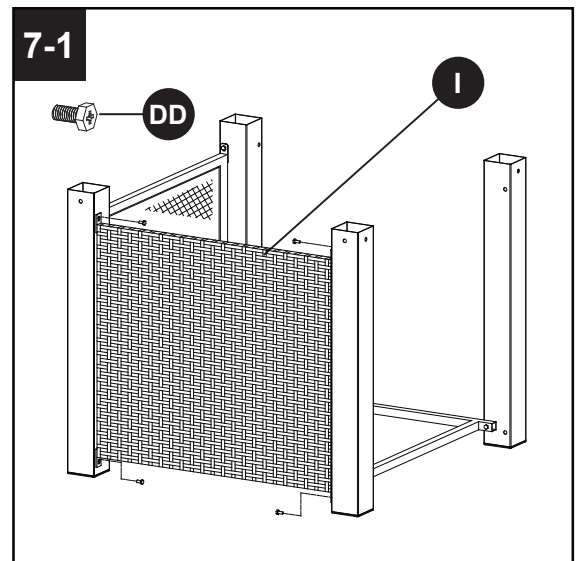
Hardware Used

DD Bolt M6 X 12  x 4

GG Wrench  x 1

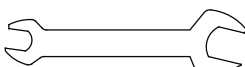
7. Side panel Installation.

7-1. Attach three side panels (I) to the bracket posts (E, F, G, H) with 12 M6 X 12 bolts (DD).



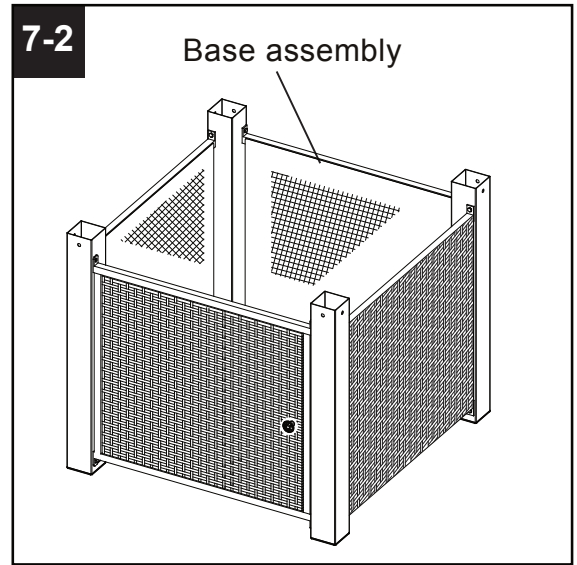
Hardware Used

DD Bolt M6 X 12  x 12

GG Wrench  x 1

ASSEMBLY INSTRUCTIONS

7-2. After assembly, the base assembly will look like figure 7-2.

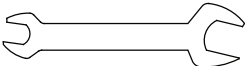


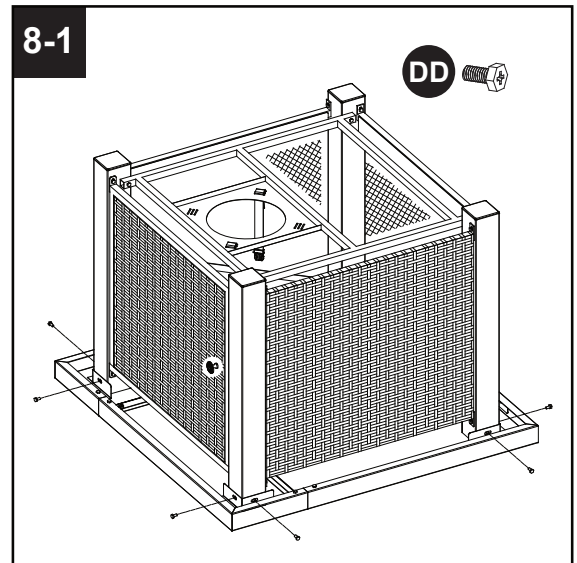
8. Table Installation

8-1. Lay assembled table upside down on floor. Line up holes in assembled table with corresponding holes in base assembly. Insert eight M6 X 12 bolts (DD) through holes. Tighten them.

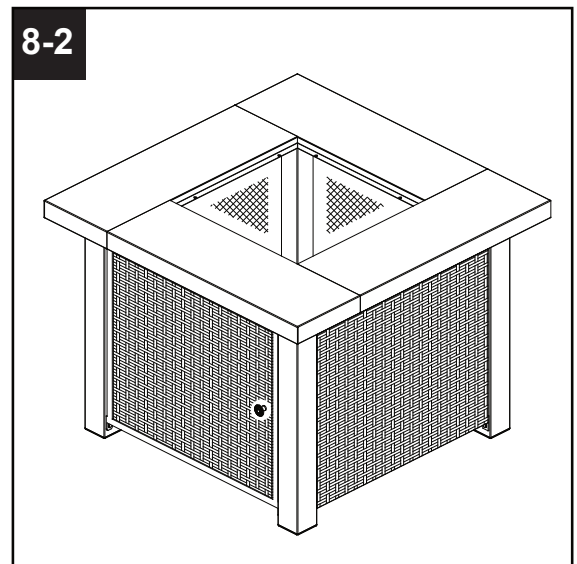
Hardware Used

DD Bolt M6 X 12  x 8

GG Wrench  x 1



8-2. After assembly, the unit will look like figure 8-2.

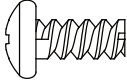
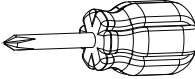


ASSEMBLY INSTRUCTIONS

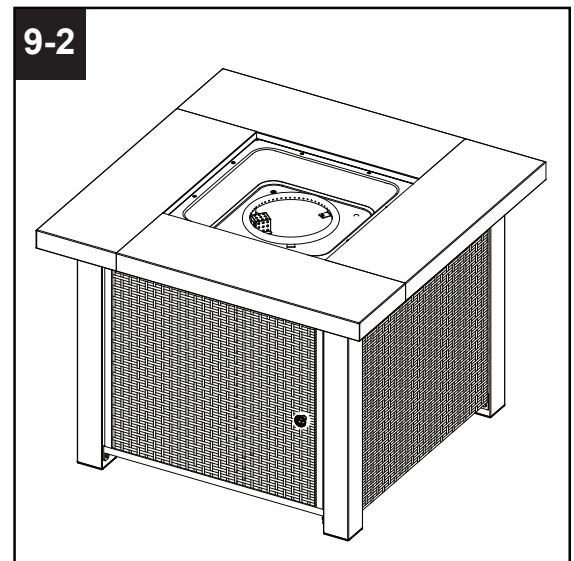
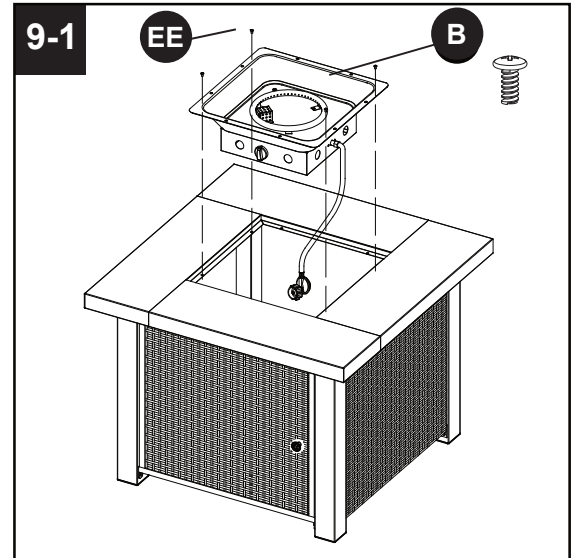
9. Burner Installation

9-1. Line up holes in the burner assembly (B) with corresponding holes in the table assembly. Insert four M5 X 12 screws (EE) through holes. Fasten them. The control knob should face the front side of the unit, the same as the door.

Hardware Used

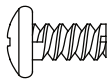
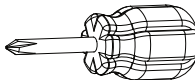
- EE** Screw M5 X 12  x 4
- FF** Philips screwdriver  x 1

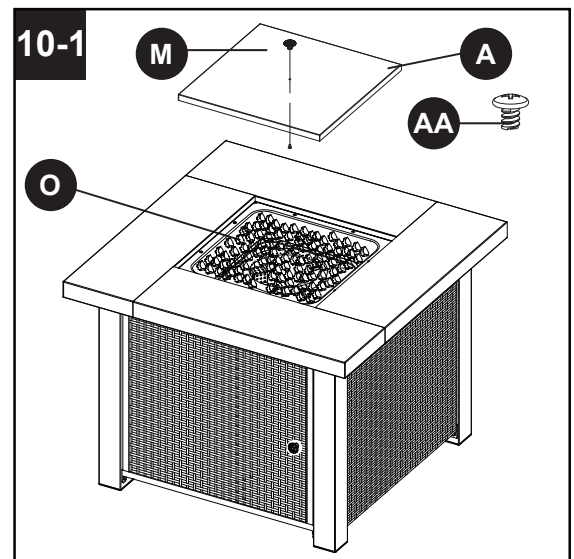
9-2. The total assembly parts will look like the figure 9-2.



10 - 1. Attach the knob (M) on the table lid (A) with one M4 X 5 screw (AA). Put glass rock (one pack) (O) above the burner and put the table lid above the burner assembly (B). Do not cover ignition screen with glass rocks.

Hardware Used

- AA** Screw M4 X 5  x 1
- FF** Philips screwdriver  x 1



ASSEMBLY INSTRUCTIONS

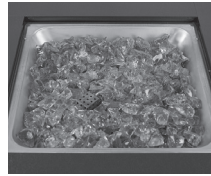
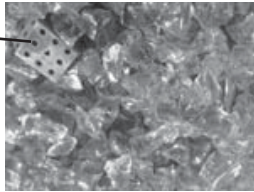
10-2. Total fire pit installation complete.

! WARNING

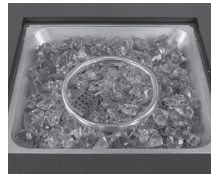
DO NOT COVER THE IGNITION SCREEN when placing the glass rocks into the fire bowl. Always keep Ignition Screen visible. This screen must be clear and free of obstructions at all times to insure proper operation.

Screen

Do not place glass on screen.
Keep screen clear.



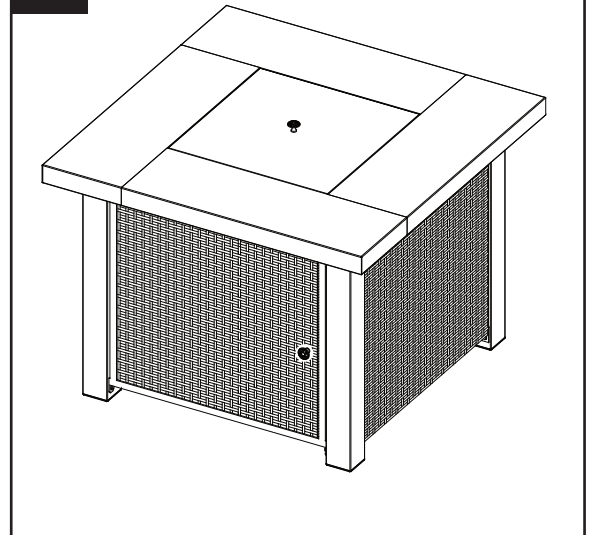
CORRECT



INCORRECT

The burner of the firebowl must be covered by glass rocks completely. Otherwise the flame may be extinguished occasionally. See the Figure CORRECT and INCORRECT for reference.

10-2



ATTENTION: THIS PRODUCT IS NOT FOR COMMERCIAL USE. INTENDED FOR RESIDENTIAL USE ONLY.

Use a glove when handling glass rocks.

Do not sit or stand on this table.

Keep children away during assembly. This item contains small parts which can be swallowed by children.

Do not use indoors and inside any enclosure.

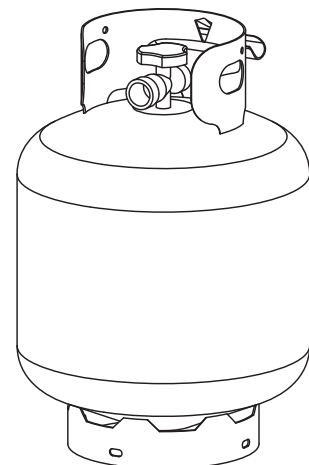
Retain the assembly instruction for future reference.

Installer — Please leave these instructions with the owner.

11. Use only 20-pound cylinders (height: 18.11 inches/ 46cm, tank diameter: 9.84 inches/ 24.99 cm, foot diameter: 8.03 inches/ 20.4 cm) equipped with a cylinder connection device compatible with the connection for the hose regulator supplied with this appliance. Propane gas and cylinder are sold separately.

A dented, rusted or damaged propane cylinder may be hazardous and should be checked by your cylinder supplier. Never use a propane cylinder with a damaged valve connection.

11



Standard 20 lb. tank

ASSEMBLY INSTRUCTIONS

The propane cylinder must be constructed and marked in accordance with the specifications for LP gas cylinders of the U.S. Department of Transportation (DOT) or the standard for cylinders, spheres and tubes for transportation of dangerous goods and commission, CAN/CSA-B339.

The cylinder must have a listed overfilling prevention device.

The cylinder must have a connection device compatible with the connection for the appliance.

Never connect an unregulated propane cylinder to this appliance.

The cylinder must include a collar to protect the cylinder valve. The gas cylinder should not be dropped or handled roughly.

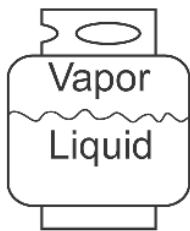
If the appliance is not in use, the gas cylinder must be disconnected. Storage of an appliance indoors is permissible ONLY if the cylinder is disconnected and removed from the appliance. Cylinders must be stored outdoors out of the reach of children and must not be stored in a building, garage or any other enclosed area. Your cylinder must never be stored where temperatures can reach over 125°F / 51.5°C.

ASSEMBLY INSTRUCTIONS

The maximum inlet gas supply pressure: 250 psi/ 1750kPa. The minimum inlet gas supply pressure: 5 psi/ 35kPa. The minimum hourly of 10000 Btu/ 2.93 kW is required input rating for an appliance for automatic operation at ratings less than full input rating.

Place a dust cap on cylinder valve outlet whenever the cylinder is not in use. Only install the type of dust cap on the cylinder valve outlet that is provided with the cylinder valve. Other types of caps or plugs may result in leakage of propane.

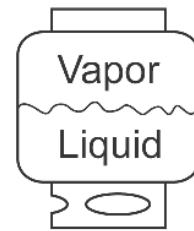
DO NOT obstruct the flow of combustion air and ventilation air to the fire pit. The propane cylinder must be arranged for vapor withdrawal and equipped with a listed overfilling prevention device. Please use the proper cylinder orientation to provide vapor withdrawal. NOTE: The cylinder must be fully upright for the cylinder to have vapor withdrawal only.



CORRECT



WRONG



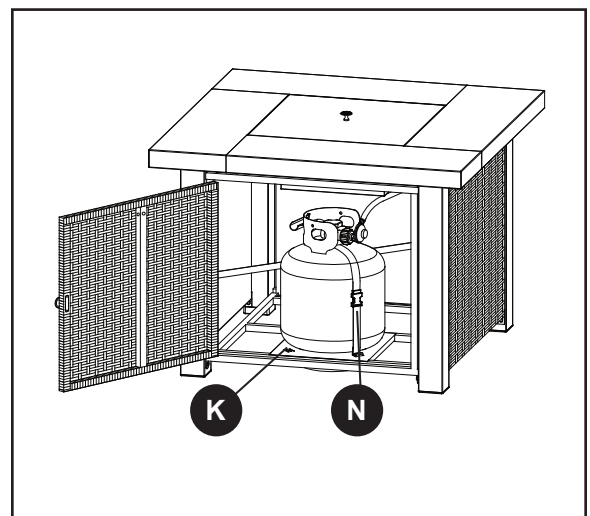
WRONG

⚠ CAUTION

- Do not store a spare LP-gas cylinder under or near this appliance.
- Never fill the cylinder beyond 80 percent full.
- If the information in (a) and (b) is not followed exactly, a fire causing death or serious injury may occur.

The pressure regulator and hose assembly supplied with the appliance must be used. The installation must conform with local codes, or in the absence of local codes, with national fuel gas code, ANS Z223.1/NFPA54, natural gas and propane Installation Code, CSA B149.1, or propane storage and handling code, B149.2.

- Seat and position propane cylinder in the Bottom Plate (K) and fasten cylinder with strap (N) as shown in the figure.





OPERATION INSTRUCTIONS

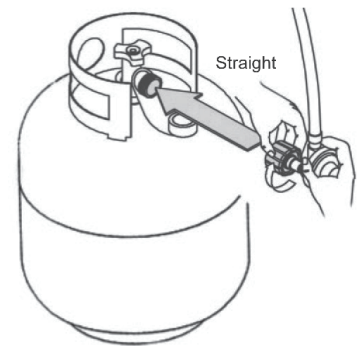
Before connection, be sure that there is no debris caught in the outlet of the gas cylinder, outlet of the regulator valve or in the outlet of the burner and burner ports. Keep the propane cylinder valve closed and disconnect the propane cylinder from the regulator valve when the fire pit is not in use.



⚠ WARNING

ALL INSTRUCTIONS AND SAFEGUARDS ON THIS PAGE MUST BE FOLLOWED TO PREVENT FIRE, DAMAGE AND/OR INJURY.

CONNECTING THE LP TANK

1. The knob on the LP tank must be closed. Make sure that the knob is turned  clockwise to a full stop. The cylinder supply system must be arranged for vapor withdrawal.
2. Check that the control knob on the control unit is turned off.
3. Remove the protective cap from the LP tank valve and coupling nut.
4. Hold the regulator in one hand and insert the nipple into the valve outlet. Be sure the nipple is centered in the valve outlet. The coupling nut connects to the large outside threads on the valve outlet. Use care – do not cross thread the connection.
5. Hand-tighten the coupling nut  clockwise until it comes to a full stop. Firmly tighten by hand only. Do not use tools.



To Disconnect: Fully close the tank valve by turning  clockwise. Turn the coupling nut  counterclockwise until the regulator assembly detaches.

⚠ WARNING

In the connection process, make sure:

- the regulator inlet connector mates with the cylinder valve outlet properly, safely and firmly, and;
- the LP gas hose does not come in contact or remain in contact with the burner assembly.

CHECKING FOR LEAKS

After all connections are made, check all connections and fittings on the LP gas tank valve, gas hose and regulator for leaks with a water and soap solution.

To prevent fire or explosion while testing for a leak:

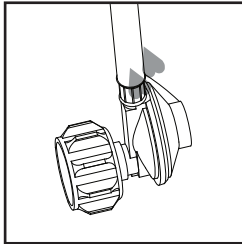
- Always perform a leak test prior to lighting the fire pit.
- Do not smoke while testing for a leak.
- Always perform leak tests outdoors in a well-ventilated area.
- Do not use any source of flame while testing for leaks.
- Do not use the fire pit until any and all leaks are corrected.
- If you are unable to correct a leak, disconnect the propane supply and call a gas appliance service dealer.

OPERATION INSTRUCTIONS

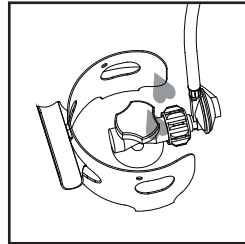
LEAK CHECK

⚠ WARNING

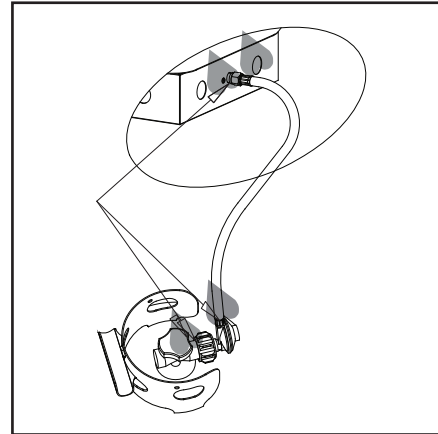
- Perform all leak tests outdoors.
- Extinguish all open flames.
- NEVER leak test when smoking.
- Do not use the fire pit until all connections have been leak tested and do not leak.



Hose/Regulator
connection



Regulator/Cylinder
connection



1. Make 2-3 oz. of leak check solution (one part liquid dishwashing detergent and three parts water).
2. Put leak solution in a spray bottle.
3. Make sure cylinder valve and control valve are OFF.
4. Apply several drops of solution where hose attaches to regulator.
5. Apply several drops of solution where regulator connects to cylinder.
6. Turn cylinder valve ON.

If bubbles appear at any connection, there is a leak.

1. Turn cylinder valve OFF.
2. If leak is at hose/regulator connection: tighten connection and perform another leak test. If bubbles continue appearing, the hose should be returned to the place of purchase.
3. If leak is at regulator/cylinder valve connection: disconnect, reconnect, and perform another leak check. If you continue to see bubbles after several attempts, cylinder valve is defective and should be returned to cylinder's place of purchase.

If NO bubbles appear at any connection, the connections are secure.

Note: Whenever gas connections are loosened or removed, you must perform a complete leak test.

Complete installation.

⚠ DANGER

NEVER USE A LIGHTER/FLAME TO CHECK FOR GAS LEAKS.

OPERATION INSTRUCTIONS

Note: Other cylinders may be acceptable for use with this appliance provided they have the same profile and dimensions to be compatible with the appliance nesting hole and retention means.

Caution: Do not attempt to operate until you have read and understand all General Safety Information in this manual and all assembly is complete and leak checks have been performed.

Before Turning Gas Supply ON:

1. Your fire pit was designed and approved for outdoor use only. Do NOT use it inside a building, garage, or any other enclosed area.
2. Make sure surrounding areas are free of combustible materials, gasoline, and other flammable vapors or liquids.
3. Ensure that there is no obstruction to air ventilation. Be sure all gas connections are tight and there are no leaks.
4. Be sure the cylinder cover is clear of debris. Be sure any component removed during assembly or servicing is replaced and fastened prior to starting.

Before Lighting:

1. Fire pit should be thoroughly inspected before each use, and by a qualified service person at least annually. If relighting a hot fire pit, always wait at least 5 minutes.
2. Inspect the hose assembly for evidence of excessive abrasion, cuts, or wear. Suspected areas should be leak tested. If the hose leaks, it must be replaced prior to operation. Only use the replacement hose assembly specified by manufacturer.

Lighting:

1. Turn the control knob to the “OFF” (○) position (Figure a).
2. Fully open LP cylinder valve.
3. Push in gas control knob and turn counterclockwise to “IGNITER” (⚡) (Figure b) to light the fire pit. If needed, keep depressing and turning control knob counterclockwise until the fire pit lights (You should hear a clicking sound).
4. After fire pit lights, release control knob. Push in and turn the control knob to the “HIGH” (🔥), then release control knob. If you want a lower temperature, push in the control knob and turn counterclockwise to the “LOW” (↖) (Figure c).

Note: If burner fails to remain lit, all valves should be closed and a waiting period of at least 5 minutes should pass before attempting to light.

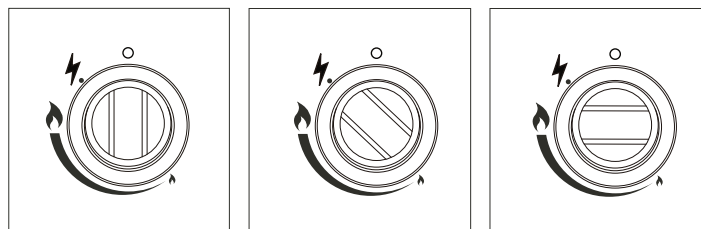


Figure a

Figure b

Figure c

WARNING

FOR YOUR SAFETY

Be careful when attempting to manually ignite this fire pit. Holding in the control knob for more than 10 seconds before igniting the gas will cause a ball of flame upon ignition.

When fire pit is ON:

Burner will display tongues of blue and yellow flame. These flames should not be yellow or produce thick black smoke, indicating an obstruction of airflow through the burners. The flame should be blue with straight yellow tops. If excessive yellow flame is detected, turn off propane tank and fire pit and consult “Care and Maintenance” on page 22.

Re-lighting:

1. Turn control knob to OFF (○).
2. Repeat the “Lighting” steps on prior page.
3. When relighting a hot fire pit, always wait at least 5 minutes.

WARNING

FOR YOUR SAFETY

Fire pit will be hot after use. Handle with extreme care.

Turning off the burner:

Push the control knob and turn to the OFF (○) position.

Disconnecting the propane cylinder:

1. Make sure the control knob is in the OFF (○) position and wait 45 minutes until the appliance is cool.
2. Turn off cylinder valve, then disconnect the hose regulator from the cylinder.
3. Store the cylinder in a proper location.

OPERATION INSTRUCTIONS

Operation Checklist

For a safe and pleasurable heating experience, perform this check before each use.

Before Operating:

1. I am familiar with entire owner's manual and understand all precautions noted.
2. All components are properly assembled, intact and operable.
3. No alterations have been made.
4. All gas connections are secure and do not leak.
5. Wind velocity is below 10 mph/ 16 km/h
6. Unit will operate at reduced efficiency below 40°F/ 4°C.
7. Fire pit is outdoors (outside any enclosure).
8. There is adequate fresh air ventilation.
9. Fire pit is away from gasoline or other flammable liquids or vapors.
10. Fire pit is away from windows, air intake openings, sprinklers and other water sources.
11. Fire pit is at least 24 inches/60.96 cm from sides and 72 inches/182.88 cm below combustible materials.
12. Fire pit is on a hard and level surface.
13. There are no signs of spider or insect nests.
14. All burner passages are clear.
15. All air circulation passages are clear.
16. Children and adults should be alerted to the hazards of high surface temperatures and should stay away to avoid burns or clothing ignition.
17. Young children should be carefully supervised when they are in the area of the fire pit.
18. Clothing or other protective material should not be hung from the fire pit, or placed on or near the fire pit.
19. Any guard or other protective device removed for servicing the fire pit must be replaced prior to operating the fire pit.
20. Installation and repair should be done by a qualified service person. The fire pit should be inspected before use and at least annually by a qualified service person.
21. More frequent cleaning may be required as necessary. It is imperative that control compartment, burner and circulating air passageways of the fire pit be kept clean.

After Operation:

1. Gas control valve is in OFF (○) position.
2. Gas Tank valve is OFF.
3. Disconnect hose regulator from propane cylinder.

⚠ WARNING

FOR YOUR SAFETY

- Do NOT touch or move fire pit for at least 45 minutes after use.

To enjoy years of outstanding performance from your fire pit, make sure you perform the following maintenance activities on a regular basis:

Keep exterior surfaces clean.

1. Use warm soapy water for cleaning. Never use flammable or corrosive cleaning agents.
2. While cleaning your fire pit, be sure to keep the area around the burner dry at all times. Do not submerge the control valve assembly. If the gas control is submerged in water, do NOT use it. It must be replaced.
 - a. Keep the appliance area clear and free from combustible materials, gasoline and other flammable vapors and liquids.
 - b. Do not obstruct the flow of combustion and ventilation air.
 - c. Keep the ventilation opening(s) of the cylinder enclosure free and clear from debris.
3. Air flow must be unobstructed. Keep controls, burner, and circulating air passageways clean. Signs of possible blockage include:
 - Gas odor with extreme yellow tipping of flame.
 - Fire pit does NOT reach the desired temperature.
 - Fire pit glow is excessively uneven.
 - Fire pit makes popping noises.
 - Spiders and insects can nest in burner or orifices. This dangerous condition can damage fire pit and render it unsafe for use. Clean burner holes by using a heavy-duty pipe cleaner. Compressed air may help clear away smaller particles.
 - Carbon deposits may create a fire hazard. Clean dome and ignition screen with warm soapy water if any carbon deposits develop.



Note: *In a salt-air environment (such as near an ocean), corrosion occurs more quickly than normal. Frequently check for corroded areas and repair them promptly.*

TIP:

Use high-quality automobile wax to help maintain the appearance of your fire pit.

CARE AND MAINTENANCE

Storage

Between uses:

- Turn control valve and cylinder valve off.
- Disconnect the hose regulator from propane cylinder.
- Store fire pit upright in an area sheltered from direct contact with inclement weather (such as rain, sleet, hail, snow, dust and debris).
- If desired, cover fire pit to protect exterior surfaces and to help prevent build-up in air passages.

Note: *Wait until fire pit is cool before covering.*

During periods of extended inactivity or when transporting:

- Turn control valve and cylinder valve off.
- Disconnect the hose regulator and move propane cylinder to a secure, well-ventilated location outdoors.
- Store fire pit upright in an area sheltered from direct contact with inclement weather (such as rain, sleet, hail, snow, dust and debris).
- If desired, cover fire pit to protect exterior surfaces and to help prevent build-up in air passages. Never leave LP cylinder exposed to direct sunlight or excessive heat.

Note: *Wait until fire pit is cool before covering.*

Service

Only a qualified service person should repair gas passages and associated components.

Caution: *Always allow fire pit to cool before attempting service.*

ONE YEAR LIMITED WARRANTY

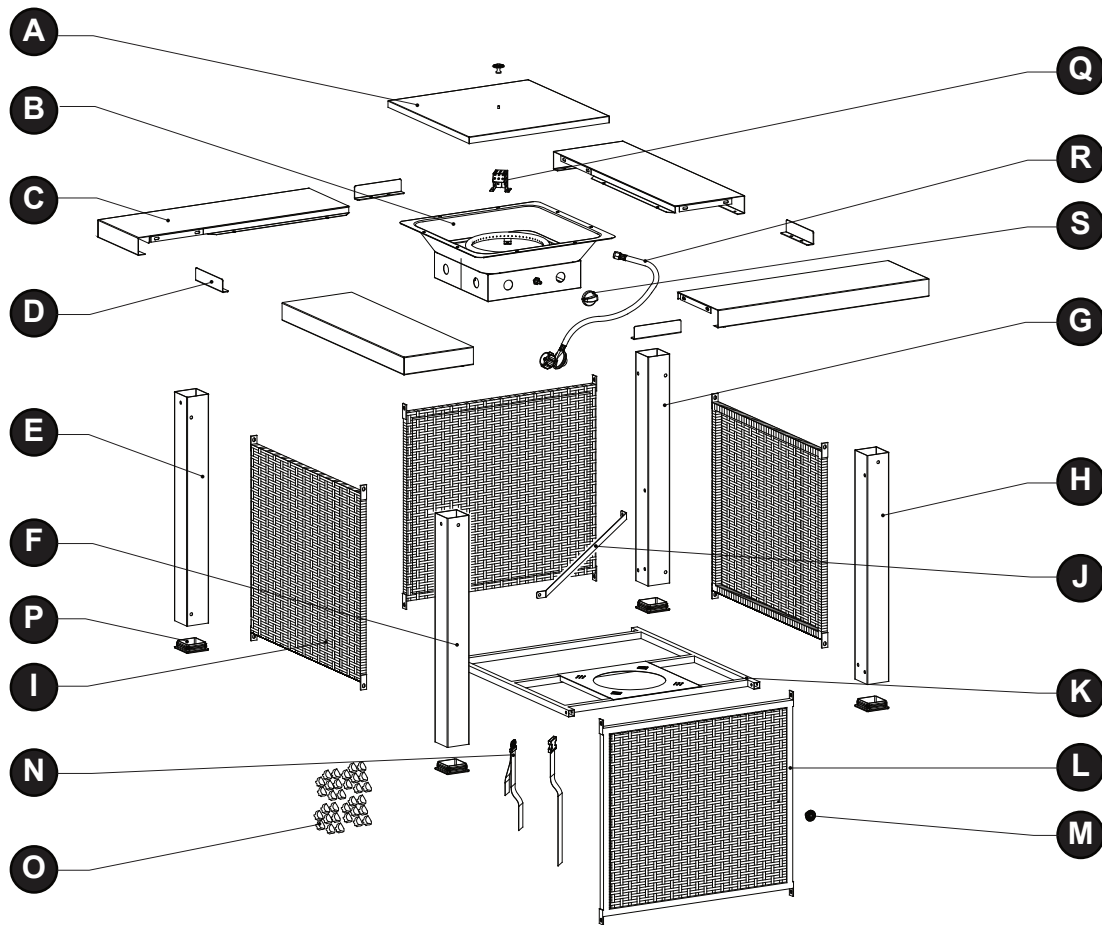
If within one year from the date of original purchase, this item fails due to a defect in material or workmanship, we will replace or repair at our option, free of charge. To order parts or to obtain warranty service, call 1-877-447-4768, 8:30AM – 4:30PM, CST, Monday – Friday. This warranty does not cover defects resulting from improper or abnormal use, misuse, accident, or alteration. Failure to follow all instructions in the owner's manual will also void this warranty. The manufacturer will not be liable for incidental or consequential damages, or common erosion of outdoor products. Some states do not allow the exclusion or limitation of incidental or consequential damages, so the above limitation may not apply to you. This warranty gives you specific legal rights, and you may also have other rights which vary from state to state.

TROUBLESHOOTING

PROBLEM	POSSIBLE CAUSE	CORRECTIVE ACTION
Burner won't light	Propane cylinder is frosted over	Wait until the propane cylinder warms up and becomes unfrosted
	Blockage in orifice	Clear blockage
	Control knob is not in ON position	Turn control knob to ON
Burner flame is low	Gas pressure is low	Turn cylinder valve OFF and replace cylinder
	Outdoor temperature is less than 40°F/ 4°C and tank is less than 1/4 full	Use a full cylinder
	Control knob fully ON	Check burner and orifices for blockage
Carbon build-up	Dirt or film on ignition screen	Clean ignition screen
Thick black smoke	Blockage in burner	Remove blockage and clean burner inside and outside

DESCRIPTION	PART #
Hardware Pack	30-09-117
<p>The diagram illustrates the components of the hardware pack. It includes several spring assemblies labeled 'DD', a wrench labeled 'GG', and other parts labeled 'AA', 'BB', 'CC', and 'EE'. The 'DD' labels are placed in circles next to the corresponding spring assemblies. The 'GG' label is in a circle next to the wrench. The 'AA', 'BB', 'CC', and 'EE' labels are also in circles next to their respective parts.</p>	<p>Model/Modelo/Modèle OFG419T</p> <p>Questions, problems, missing parts? Before returning to your retailer, call our customer service department at 1-877-447-4768, 8:30 a.m. - 4:30 p.m., CST, Monday - Friday.</p> <p>¿Preguntas, problemas, piezas faltantes? Antes de volver a la tienda, llame a nuestro Departamento de Servicio al Cliente al 1-877-447-4768, de lunes a viernes de 8:30 a.m. a 4:30 p.m., hora central estándar.</p> <p>Des questions, des problèmes, des pièces manquantes? Avant de retourner l'article au détaillant, appelez notre service à la clientèle au 1 877 447-4768, entre 8 h 30 et 16 h 30 (HNC), du lundi au vendredi.</p> <p style="text-align: right;">30-09-117</p>

REPLACEMENT PARTS LIST OFG419T



PART	DESCRIPTION	QTY.	PART NO.
A	Table Lid	1	30-06-309
B	Burner Assembly	1	30-06-310
C	1/4 Table	4	30-06-311
D	Angle Iron	4	30-06-312
E	Back Bracket Post (Left)	1	30-06-314
F	Front Bracket Post (Left)	1	30-06-315
G	Back Bracket Post (Right)	1	30-06-316
H	Front Bracket Post (Right)	1	30-06-317
I	Side Panel	3	30-06-331
J	Gas Cylinder Block Belt	1	30-06-319

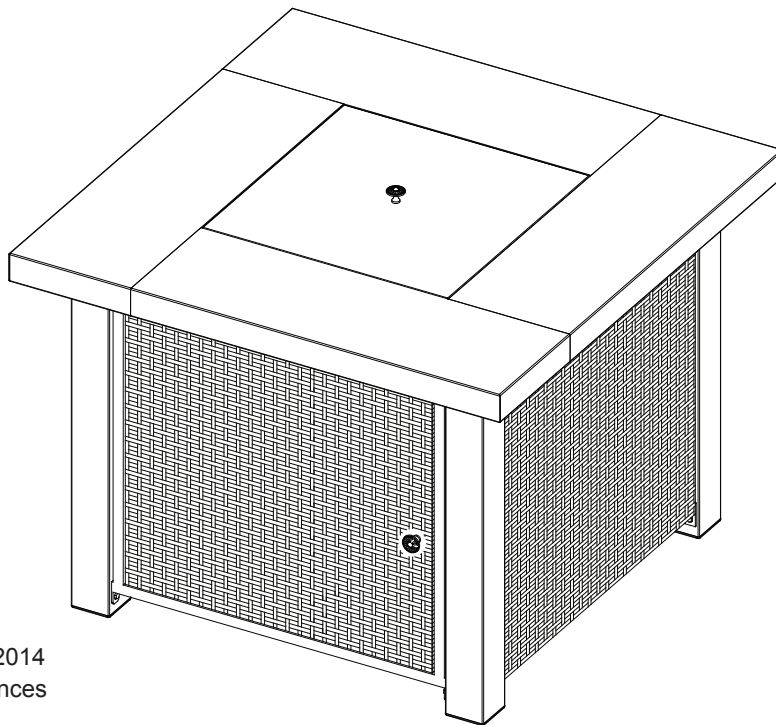
PART	DESCRIPTION	QTY.	PART NO.
K	Bottom plate	1	30-06-320
L	Door	1	30-06-332
M	Knob	2	30-06-323
N	Propane Tank Strap	1	30-06-325
O	Glass Rocks (One Pack)	1	30-06-324
P	Leg Tube Cap	1	30-06-326
Q	Screen	1	30-06-327
R	Regulator and Gas Hose	1	30-06-329
S	Control Knob	1	30-06-328
HWP	Hardware Pack	1	30-09-117

FOGÓN DE PROPANO AL AIRE LIBRE

MODELO #OFG419T

English p. 1

Français p.53



Los tanques de pro-
pano se venden por
separado.



C US

ANS Z21.97-2014 • CSA 2.41-2014
Outdoor Decorative Gas Appliances

INSTRUCCIONES IMPORTANTES

POR FAVOR LEA ESTE MANUAL ANTES DE INSTALAR Y UTILIZAR ESTE ELECTRODOMÉSTICO

⚠ ¡ADVERTENCIA!

SI NO SE SIGUEN EXACTAMENTE LAS INSTRUCCIONES EN ESTE MANUAL PUEDE PRODUCIRSE ELECTROCUTAMIENTO O INCENDIO OCASIONANDO DAÑO EN LA PROPIEDAD, LESIONES PERSONALES O MUERTE.

INSTALADOR: Deje este manual con el consumidor.
CONSUMIDOR: Guarde este manual para futura referencia.

ADJUNTE AQUÍ SU RECIBO

Número de serial _____ Fecha de compra _____



¿Preguntas, problemas, piezas faltantes? Antes de hacer una devolución a la tienda, llame a nuestro departamento de atención al cliente al 1-877-447-4768 de lunes a viernes de 8:30 am a 4:30 pm, hora central estándar, o escribanos a customerservice@ghp-groupinc.com.

ÍNDICE DE CONTENIDOS

Información de seguridad.....	30
Contenido del embalaje.....	33
Preparación	34
Instrucciones de ensamblaje.....	35
Instrucciones de uso.....	43
Cuidado y mantenimiento.....	48
Garantía.....	49
Solución de problemas.....	50
Lista de piezas de repuesto.....	52

⚠ ADVERTENCIA: Para uso en exteriores únicamente.

⚠ PELIGRO:

Si huele a gas:

1. Apague el gas del electrodoméstico.
2. Apague cualquier llama abierta.
3. Si el olor continua, manténgase alejado del electrodoméstico y llame inmediatamente a su proveedor de gas o a los bomberos.

⚠ ADVERTENCIA:

No almacene ni use gasolina u otros vapores o líquidos inflamables en los alrededores de este u otro electrodoméstico.

Ningún tanque de gas propano que no esté conectado para su uso debe almacenarse en los alrededores de este u otro electrodoméstico.

⚠ Advertencia: Instalación incorrecta, ajuste, modificación, servicio o mantenimiento pueden ocasionar lesiones o daño a la propiedad. Consulte el manual de información para el usuario suministrado con este electrodoméstico. Para asistencia o información adicional consulte a un instalador cualificado, agencia de servicio o al proveedor de gas.

⚠ PELIGRO



PELIGRO DE MONÓXIDO DE CARBONO

Este electrodoméstico puede producir monóxido de carbono, el cual no tiene olor.

Su utilización en un espacio cerrado puede ocasionarle la muerte.

Nunca utilice este electrodoméstico en un espacio cerrado tal como una caravana, carpa, auto o casa.

ETIQUETA DEL TANQUE DE GAS PROPANO

⚠ PELIGRO • GAS INFLAMABLE BAJO PRESIÓN.
UNA FUGA DE GAS PUEDE PRODUCIR UN INCENDIO O EXPLOSIÓN DURANTE EL ENCENDIDO OCASIONANDO SERIAS LESIONES CORPORALES O LA MUERTE.
CONTACTE A SU PROVEEDOR DE GAS PARA REPARACIONES O PARA DESECHAR ESTE TANQUE U OTRO GAS QUE NO SE HAYA UTILIZADO.

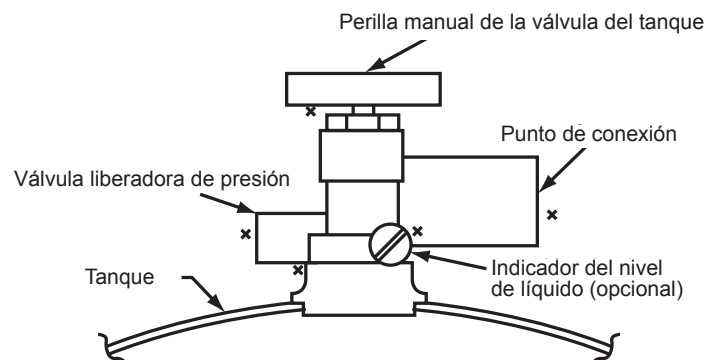
⚠ ADVERTENCIA • PARA USO AL AIRE LIBRE ÚNICAMENTE*.
NO UTILICE O ALMACENE EL TANQUE EN UN EDIFICIO, GARAJE O ÁREA CERRADA.

⚠ ADVERTENCIA:

- Reconozca el olor de gas propano. Si escucha, ve o huele a fuga de gas propano, aparte inmediatamente a todos del tanque y llame a los bomberos. No intente hacer reparaciones.
- Alerta a su proveedor de gas propano de:
 - Asegurarse de que se purgue el aire atrapado en el tanque antes del primer llenado.
 - Asegurarse de no llenar el tanque demasiado.
 - Asegurarse de que la fecha de recalificación del tanque sea verificada.
- El gas propano es más pesado que el aire y puede asentarse en lugares bajos mientras se está disipando.
- El contacto con el contenido líquido del tanque puede causar quemaduras en la piel por congelamiento.
- No permita que niños manipulen o jueguen con el tanque.
- Cuando el tanque no esté conectado para su uso, mantenga la válvula del tanque apagada. Los electrodomésticos autocontenidos se limitarán a tanques de 30 libras de capacidad o menos.
- No utilice, almacene ni transporte tanques en lugares donde estarían expuestos a altas temperaturas. La válvula de escape puede abrirse dejando escapar grandes cantidades de gas inflamable.
- Durante su transporte, mantenga el tanque asegurado en posición vertical con la válvula apagada.

AL CONECTAR PARA SU USO:

- Utilice solamente en conformidad con los códigos aplicables.
- Lea y siga las instrucciones del fabricante.
- Consulte las instrucciones del fabricante en lo referente a la conexión del tanque suministrada con su electrodoméstico.
- Asegúrese de que el respiradero del regulador no está apuntando hacia arriba.
- Apague todas las válvulas del electrodoméstico.
- No inspeccione fugas de gas con un fósforo o llama abierta. Aplique agua jabonosa en las áreas marcadas con una "X". Abra la válvula del tanque. Si aparece una burbuja, cierre la válvula y haga que personal del proveedor de gas propano haga las reparaciones necesarias. También revise las válvulas y conexiones del electrodoméstico para asegurarse de que no hay fuga de gas antes de encender el electrodoméstico.
- Encienda el(los) electrodoméstico(s) siguiendo las instrucciones del fabricante.
- Cuando el electrodoméstico no esté en uso, mantenga la válvula del tanque cerrada.



NO quite, estropee ni destruya esta etiqueta.
***SALVO QUE SEA AUTORIZADO POR ANSI/NFPA 58.**

⚠ PELIGRO. No almacene un tanque de gas propano de repuesto debajo o cerca de una parrilla para barbacoa o alguna otra fuente de calor. JAMÁS rellene un tanque de gas propano por encima del 80% de su capacidad: puede producirse un incendio ocasionando la muerte o lesiones serias.

INFORMACIÓN DE SEGURIDAD

Por favor lea y comprenda completamente este manual antes de intentar ensamblar, poner en funcionamiento o instalar el producto. Si tiene alguna pregunta acerca de este producto, por favor llame a nuestro departamento de atención al cliente al 1-877-447-4768 de lunes a viernes de 8:30 am a 4:30 pm, hora central estándar.

PELIGRO

- Si no se siguen los riesgos, advertencias y precauciones contenidas en este manual del propietario pueden producirse lesiones corporales serias o la muerte, o un incendio o explosión ocasionando daño a la propiedad.

ADVERTENCIA

- Presión máxima de entrada de suministro de gas: 250 psi/1750 kPa. Presión del colector con regulador suministrado: 11 pulgadas C.A./2.74 kPa.
- Este electrodoméstico debe ser utilizado sólo al aire libre en un espacio bien ventilado y no debe ser utilizado dentro de un edificio, garaje ni alguna otra área cerrada.
- NO utilice este electrodoméstico para cocinar.
- La instalación de este producto debe ser conforme a los códigos locales o, en ausencia de códigos locales, con bien el Código Nacional de Gas Combustible ANSIZ223.1/NFPA 54 o el CAN/CGA-B149.1 del Código de Instalación de Gas Natural y Propano.
- No utilice este electrodoméstico si alguna pieza se ha sumergido en agua. Llame inmediatamente a un técnico de servicio cualificado para inspeccionar el electrodoméstico y reemplazar cualquier pieza del sistema de control y cualquier controlador de gas que haya estado en el agua.
- No almacene un tanque de propano de repuesto o desconectado debajo ni cerca de este electrodoméstico.
- No ponga en funcionamiento el electrodoméstico de propano si hay alguna fuga de gas.
- Nunca utilice una llama para revisar si hay fugas de gas.
- Dejar un espacio libre entre materiales combustibles y los laterales de su electrodoméstico de propano de al menos 24 pulgadas/60.96 cm y de al menos 72 pulgadas/182.88 cm con el tope. Coloque la unidad solamente sobre superficies no combustibles.
- No coloque ninguna cubierta de otro electrodoméstico ni algo inflamable por encima o debajo del electrodoméstico.
- **El electrodoméstico de propano nunca debe ser utilizado por niños. Niños pequeños deben ser supervisados cuidadosamente cuando estén en el área del electrodoméstico.**
- **Tanto niños como adultos deben ser advertidos de los peligros de las superficies a altas temperaturas y mantener una distancia de seguridad para evitar quemaduras e ignición de prendas de vestir.**
- Si el fuego se apaga mientras está encendido, apague la válvula. Siga las instrucciones y espere cinco minutos antes de intentar encenderlo de nuevo.
- Nunca utilice madera ni ningún otro combustible sólido en el electrodoméstico. Combustibles sólidos no deben quemarse en este fogón de gas.
- **Nunca cuelgue ni coloque ropa u algún otro material inflamable sobre o cerca del electrodoméstico.**
- Nunca se apoye sobre el electrodoméstico en funcionamiento ni coloque manos o dedos en la parte superior de la unidad operativa.
- Mantenga las aberturas de ventilación en el recinto del tanque despejadas y libres de cualquier escombros.
- No modifique el electrodoméstico.
- La conversión o intento de utilizar gas natural en una unidad de propano o propano en una de gas natural es peligroso.
- Para su uso con tanques marcados como PROPANO solamente. NO conectar a un suministro de gas remoto.
- No utilice este electrodoméstico en autos o embarcaciones. Siempre ponga el electrodoméstico en funcionamiento en una superficie plana o nivelada.

INFORMACIÓN DE SEGURIDAD

ADVERTENCIA

- Mantenga cualquier cable de suministro eléctrico y manguera de suministro de combustible apartados de cualquier superficie caliente.
- Mantenga su electrodoméstico despejado y libre de materiales combustibles, gasolina y otros vapores o líquidos inflamables.
- Inspeccione visualmente si hay obstrucciones en el quemador. Mantenga el recinto del tanque despejado y libre de escombros.
- No utilice este electrodoméstico a menos que todas las piezas estén en su lugar.
- **Cualquier protección u otro dispositivo de protección que se haya removido para el servicio de mantenimiento de este electrodoméstico debe volverse a colocar antes de ponerlo en funcionamiento.**
- El juego de mangueras debe reemplazarse antes de poner en funcionamiento el electrodoméstico si hay evidencia de abrasión o desgaste excesivo o si la manguera está dañada. El repuesto del juego de mangueras se especificará por el fabricante.
- **La instalación y reparación deben ser realizadas por personal técnico cualificado. El electrodoméstico debe ser inspeccionado antes de su utilización y al menos una vez al año por personal técnico cualificado. Puede requerirse limpieza más frecuente según sea necesario. Es indispensable que el compartimiento de control, quemadores y pasajes de circulación de aire del electrodoméstico se mantengan limpios.**
- El tanque para el suministro de gas propano que se vaya a utilizar debe estar construido y marcado en concordancia con las Especificaciones para los Tanques de Gas Propano del Departamento de Transporte de los Estados Unidos de América (D.O.T.) o del Estándar Nacional de Canadá CAN/CSA-B339, Tanques, Esferas y Tubos para el Transporte de Mercancía Peligrosa; y Comisión, según aplique, y provistas de un dispositivo de prevención de sobrellenado.
- Utilice solamente tanques de 20 libras (altura de 18.11 pulgadas/46 cm, diámetro del tanque de 9.84 pulgadas/25 cm, diámetro de la base de 8.03 pulgadas/20.4 cm) equipado con un dispositivo de conexión del tanque compatible con la conexión para el regulador de la manguera suministrada con este electrodoméstico. El tanque debe incluir un collarín para proteger la válvula del tanque. ¡El tanque de gas no debe dejarse caer ni manipularse bruscamente!
- Los tanques deben almacenarse al aire libre en áreas bien ventiladas fuera del alcance de los niños.
- Desconecte el tanque cuando el electrodoméstico no esté siendo utilizado.
- Los tanques desconectados deben tener las tapas de las válvulas bien apretadas y no deben ser almacenados dentro de edificios ni áreas cerradas.
- No utilice este electrodoméstico debajo de paraguas, toldos, etc.
- Utilice este electrodoméstico solamente sobre superficies estables.
- No ponga en funcionamiento con una cubierta de vinil o PVC.
- Deje que la unidad se enfríe antes de colocar una cubierta de vinil o PVC sobre ella.
- No se sienta sobre la unidad.
- Nunca utilice carbón o líquidos para encendedores en el fogón.
- No utilice gasolina, kerosén ni alcohol para encenderla.
- Nunca deje un tanque de gas propano lleno en un auto caliente ni en el maletero de un auto. El calor hará que aumente la presión del gas, lo cual puede abrir la válvula de escape y dejar que se escape el gas.
- No se apoye sobre el fogón cuando lo esté encendiendo. Lea las instrucciones antes de encenderlo.
- Si la llama se apaga accidentalmente durante el encendido o durante el funcionamiento, APAGUE inmediatamente la válvula del tanque y luego APAGUE la perilla de control.

 **ADVERTENCIA**

PARA UNIDADES DE GAS PROPANO

- El regulador de presión de gas suministrado con el electrodoméstico de propano debe ser utilizado.
- El repuesto del regulador de presión debe ser del tipo especificado por el fabricante.
- No intente desconectar el tanque de gas ni realizar ajustes del gas mientras su electrodoméstico esté en funcionamiento.
- Un tanque de propano dentado u oxidado puede ser peligroso y debe ser revisado por su suministrador de gas antes de ser utilizado.
- No utilice un tanque de propano con una válvula dañada o piezas desgastadas.
- Transporte y almacene los tanques de propano vacíos cuidadosa y correctamente.
- Si ve, huele o escucha el silbido de fuga de gas de un tanque de propano:
 1. Desconecte el tanque de gas propano.
 2. No intente corregir el problema usted mismo.
 3. Acuda a su proveedor de gas y/o departamento de bomberos para obtener ayuda

PROPOSICIÓN 65 DE CALIFORNIA

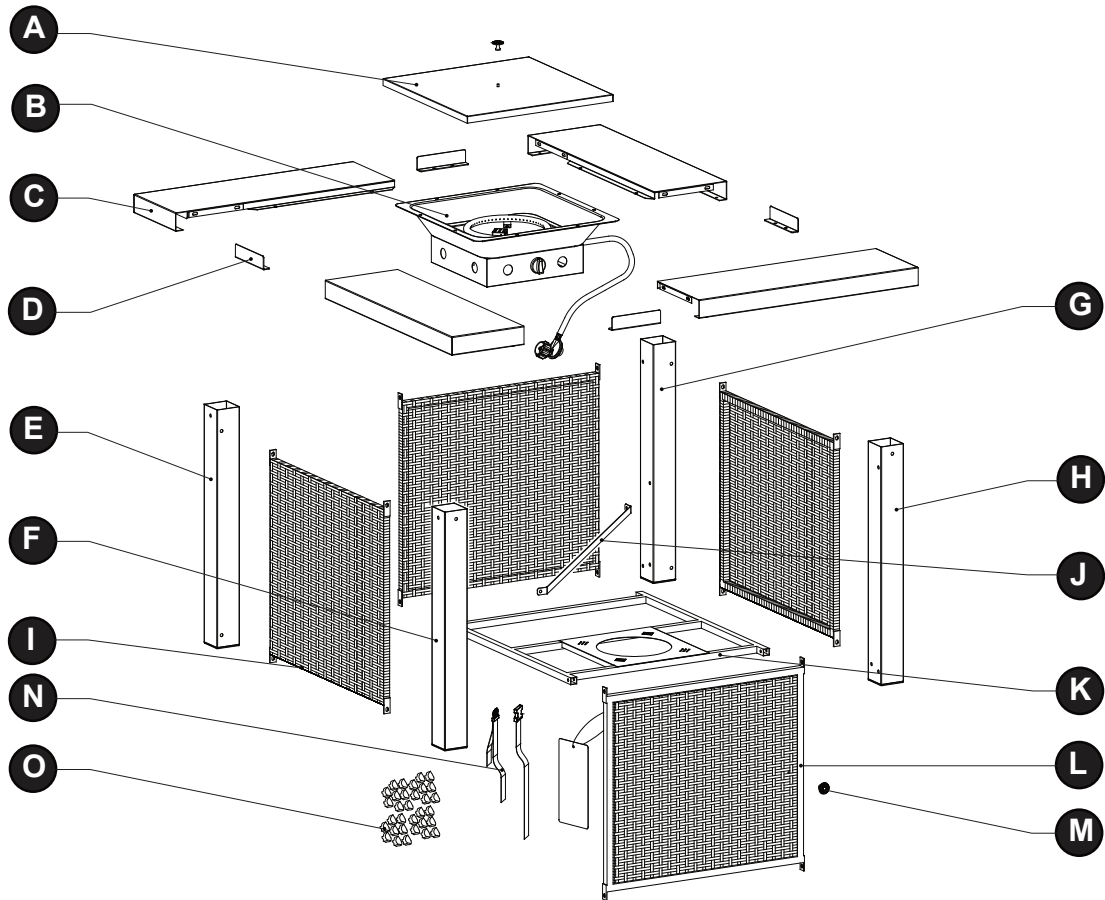
Los subproductos de la combustión producidos durante el uso de este producto contienen químicos, incluyendo Benceno, reconocidos por el Estado de California como causantes de cáncer, malformaciones congénitas y otros defectos reproductivos.

 **PRECAUCIÓN**

ROCAS DE VIDRIO

1. No encienda ni utilice la unidad de gas si las piedras de vidrio están mojadas. Asegúrese de que las piedras de vidrio estén completamente secas antes de encender la unidad ya que el calor intenso podría hacerlas estallar.
2. Las piedras de vidrio podrían golpear a alguien en la cara u ojos durante el arranque de esta unidad. Manténgase alejado de este electrodoméstico durante los primeros 20 minutos después de haberlo encendido.

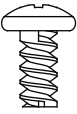
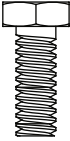

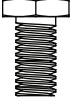
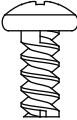
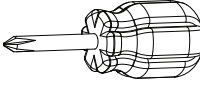
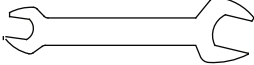
CONTENIDO DEL EMBALAJE OFG419T



PIEZA	DESCRIPCIÓN	CANT.
A	Tapa de la mesa	1
B	Ensamblaje del quemador	1
C	1/4 de mesa	4
D	Ángulo de acero	4
E	Mástil de soporte trasero (izq.)	1
F	Mástil de soporte frontal (izq.)	1
G	Mástil de soporte trasero (der.)	1
H	Mástil de soporte frontal (der.)	1
I	Panel lateral	3

PIEZA	DESCRIPCIÓN	CANT.
J	Correa de fijación del tanque de gas	1
K	Placa inferior	1
L	Puerta	1
M	Perilla	2
N	Correa del tanque de gas propano	1
O	Piedras de vidrio (un paquete)	1

HERRAJES UTILIZADOS

AA	BB	CC	DD	EE	FF	GG
						
Tornillo M4 X 5 Cant. 2	Perno M6 X 30 Cant. 4	Tuerca M6 Cant. 8	Perno M6 X 12 Cant. 42	Tornillo M5 X 12 Cant. 4	Destornillador Phillips Cant. 1	Llave Inglesa Cant. 1

PREPARACIÓN

Antes de comenzar el ensamblaje de este producto, asegúrese de que están todas las piezas. Compare las piezas con la lista de contenido del embalaje y contenido de herrajes de arriba. Si falta alguna pieza o está dañada, no intente ensamblar el producto. Contacte al servicio de atención al cliente para solicitar piezas de repuesto.

Tiempo estimado de ensamblaje: 60 minutos

Herramientas necesarias para el ensamblaje (no incluidas):
Solución para detección de fugas.

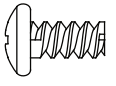
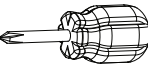
⚠ PRECAUCIÓN

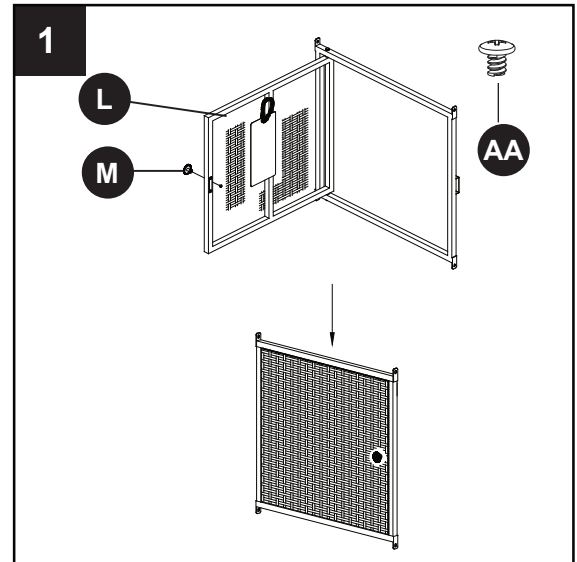
ESTA UNIDAD ES PESADA. Se necesitan dos personas para un ensamblaje seguro.
Se necesitan dos personas para un ensamblaje seguro. Algunas piezas pueden tener bordes afilados. Utilice guantes de protección si es necesario. Lea y siga todas las recomendaciones de seguridad, advertencias, instrucciones de ensamblaje, y utilice y preste atención a las instrucciones antes de intentar ensamblaje y uso.

INSTRUCCIONES DE ENSAMBLAJE

1. Fije la perilla (M) a la puerta (L) con un tornillo M4 X 5 (AA).

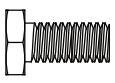
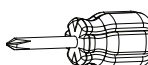
Herrajes utilizados

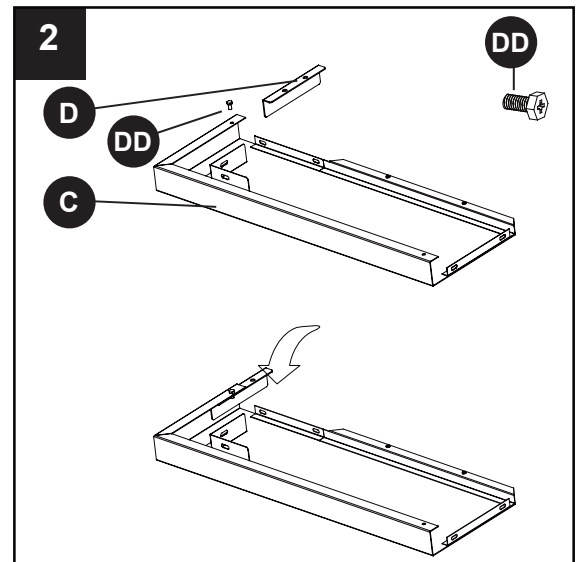
- AA** Tornillo M4 X 5  x 1
- FF** Destornillador Phillips  x 1



2. Fije un ángulo de acero (D) a 1/4 de mesa (C) con un perno M6 X 12 (DD). Repita procedimiento para completar el ensamblaje del resto de 1/4 de mesas. No apriete completamente todavía.

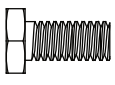

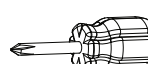
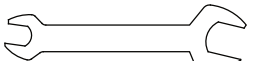
Herrajes utilizados

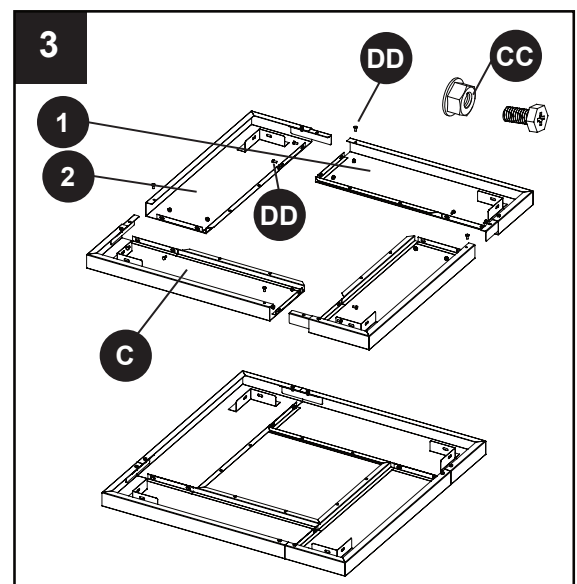
- DD** Perno M6 X 12  x 4
- FF** Destornillador Phillips  x 1



3. Alinee los agujeros en uno de los 1/4 de mesa (C) con los agujeros correspondientes a otro 1/4 de mesa (C). Inserte dos pernos M6 X 12 (DD) a través de los agujeros. Apriete con los dedos usando dos tuercas M6 (CC). Asegúrese de que **1** y **2** estén nivelados y completamente apretados. Repita procedimiento para completar el ensamblaje del resto de 1/4 de mesa. Una vez que estén conectados los 4 paneles con 2 pernos por punto de conexión, utilice otro perno M6 X 12 (DD) para asegurar los bordes en cuatro puntos alrededor de la mesa. Apriete completamente los pernos flojos del paso dos.

Herrajes utilizados

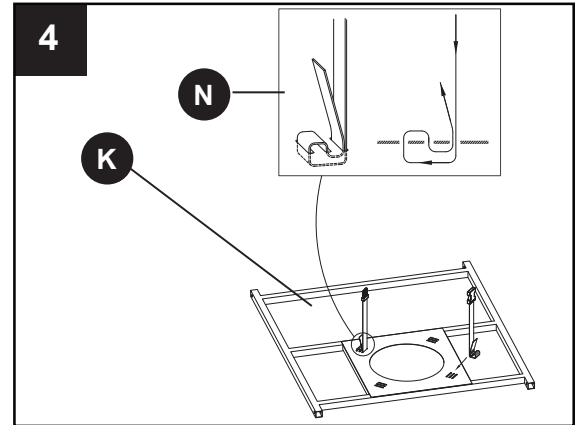
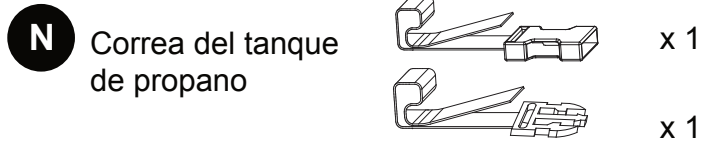
- DD** Perno M6 X 12  x 12
- CC** Tuerca M6  x 8
- FF** Destornillador Phillips  x 1
- GG** Llave inglesa  x 1



INSTRUCCIONES DE ENSAMBLAJE

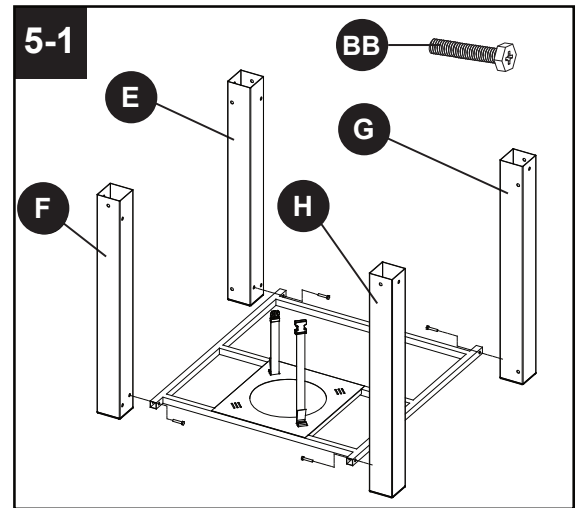
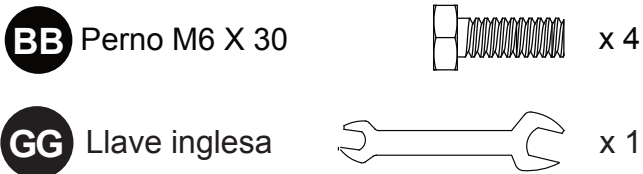
4. Fije la correa del tanque de propano (N) a la placa inferior (K).

Herrajes utilizados



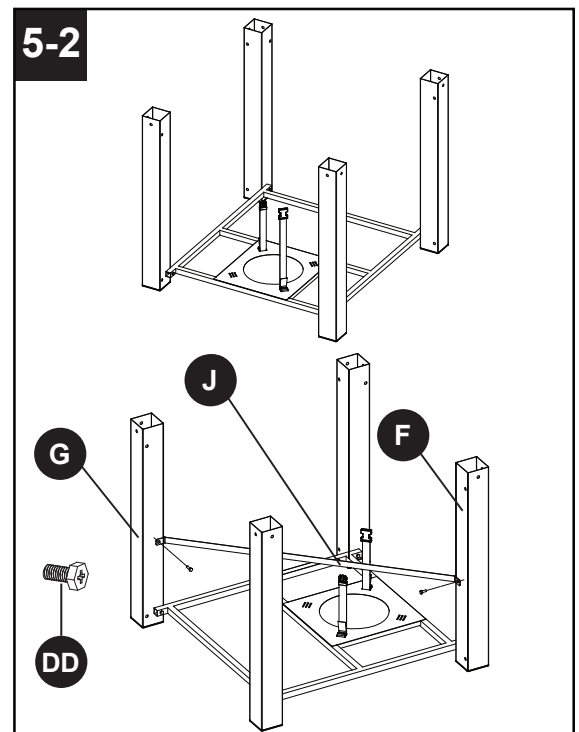
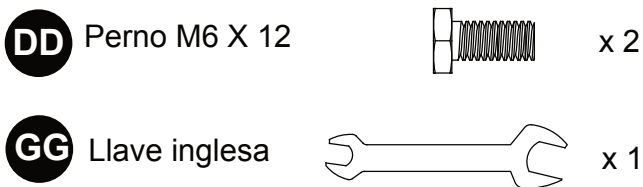
5. Instalación del mástil de soporte.
5-1. Fije los cuatro mástiles de soporte (E, F, G, H) a la placa inferior con cuatro pernos M6 X 30 (BB).

Herrajes utilizados



5-2. Después de ensamblar, una los mástiles de soporte (F, G) y correa de fijación del tanque de gas (J) con dos pernos M6 X 12 (DD).

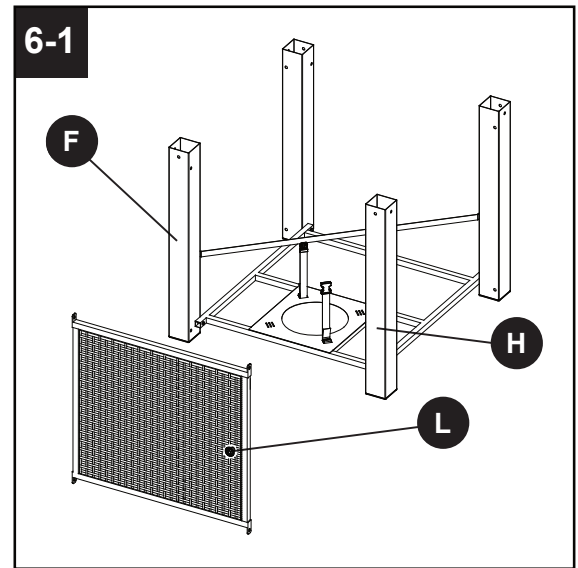
Herrajes utilizados



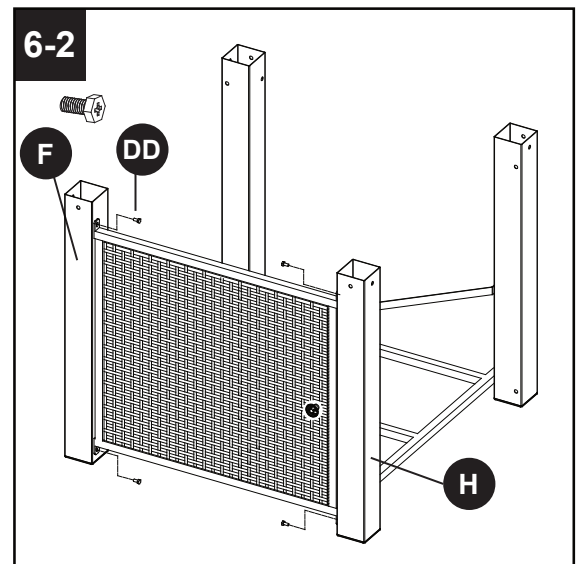
INSTRUCCIONES DE ENSAMBLAJE

6. Instalación de la puerta.

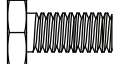
6-1. Coloque la puerta (L) entre los mástiles F y H.

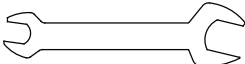


6-2. Posicione las puertas entre los mástiles F (izquierdo) y H (derecho) de modo que la perilla esté a la derecha cerca del mástil H. Fije el soporte de la puerta al mástil F (izquierdo) con dos pernos M6 X 12 (DD). Fije el mástil H (derecho) con otros dos pernos M6 X 12 (DD).



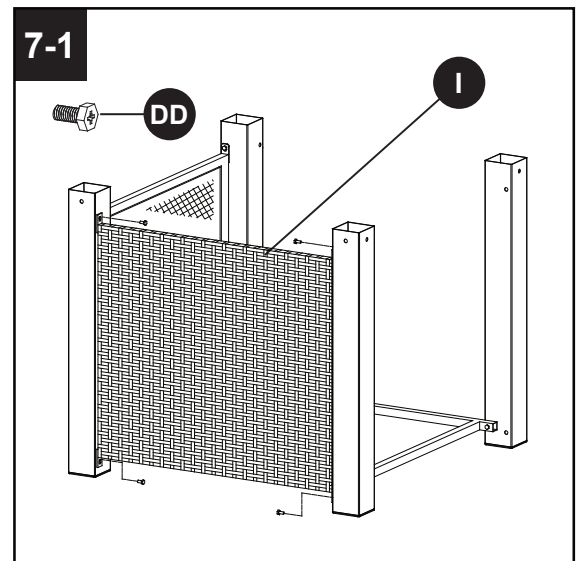
Herrajes utilizados

DD Perno M6 X 12  x 4

GG Llave inglesa  x 1

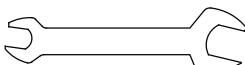
7. Instalación de panel lateral.

7-1. Fije los tres paneles laterales (I) a los mástiles de soporte (E, F, G, H) con 12 pernos M6 X 12 (DD).



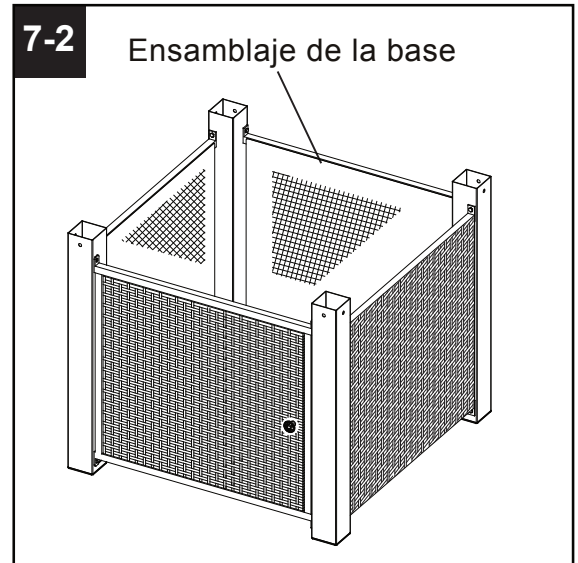
Herrajes utilizados

DD Perno M6 X 12  x 12

GG Llave inglesa  x 1

INSTRUCCIONES DE ENSAMBLAJE

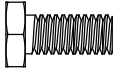
7-2. Después de ensamblar, la base se verá como en la figura 7-2.

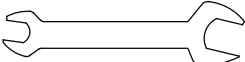


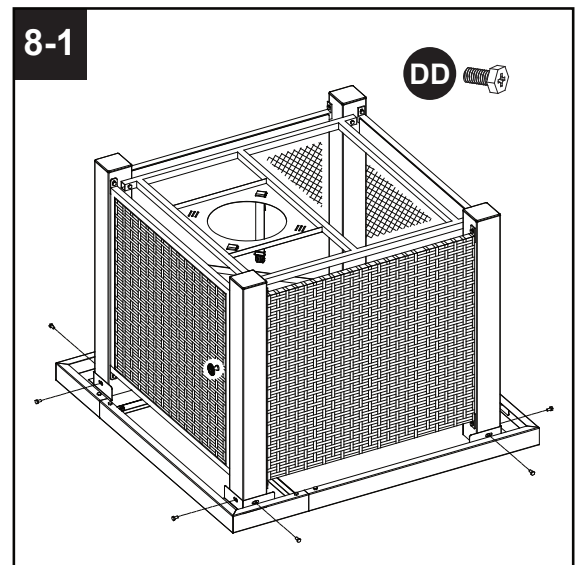
8. Instalación de la mesa

8-1. Coloque la mesa boca abajo en el suelo. Alinee los agujeros en la mesa ensamblada con los agujeros correspondientes en la base ensamblada. Inserte ocho pernos M6 X 12 (DD) a través de los agujeros. Apriételos.

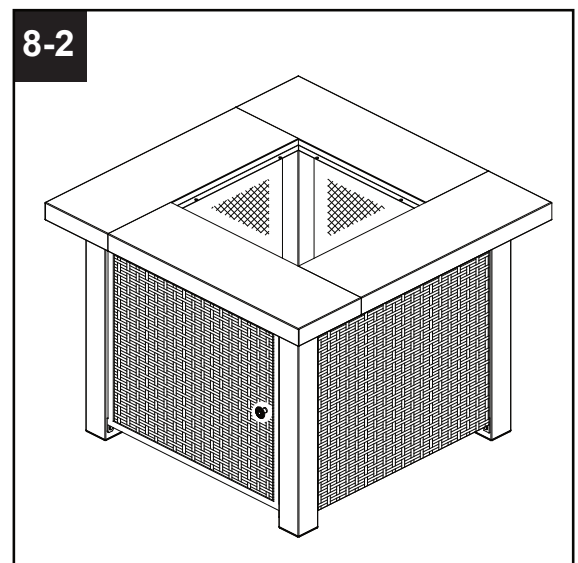
Herrajes utilizados

DD Perno M6 X 12  x 8

GG Llave inglesa  x 1



8-2. Después de ensamblar, la unidad se verá como en la figura 8-2.



INSTRUCCIONES DE ENSAMBLAJE

9. Instalación del quemador.

9-1. Alinee los agujeros en el quemador ensamblado (B) con los agujeros correspondientes en la mesa ensamblada. Inserte cuatro tornillos M5 X 12 (EE) a través de los agujeros. Atorníllelos. La perilla de control debe mirar hacia el frente de la unidad al igual que las puertas.

Herrajes utilizados

EE Tornillo M5 X 12  x 4

FF Destornillador Phillips  x 1

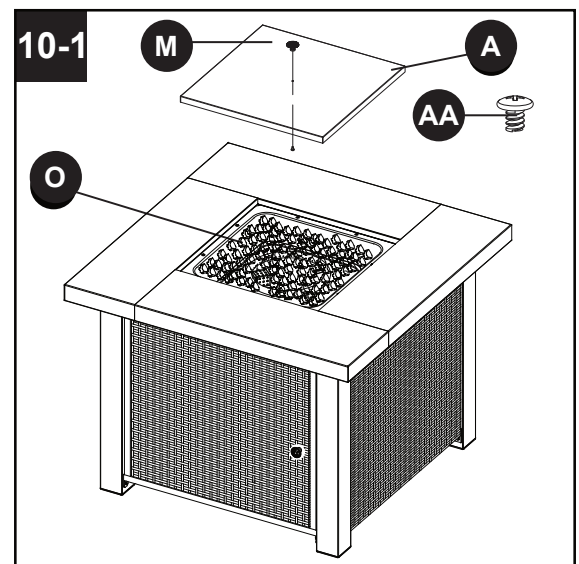
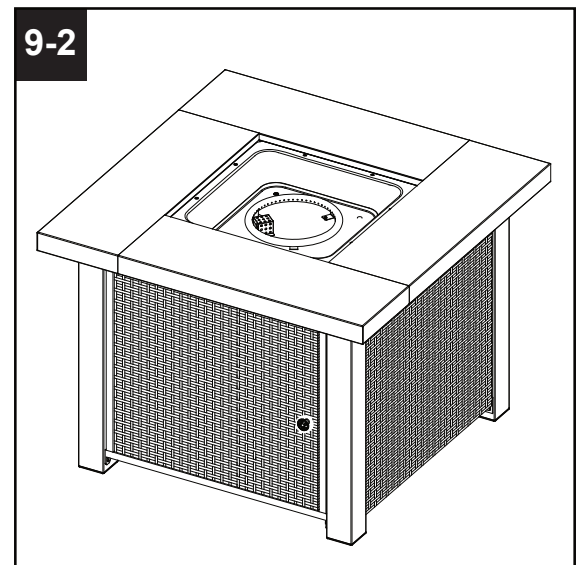
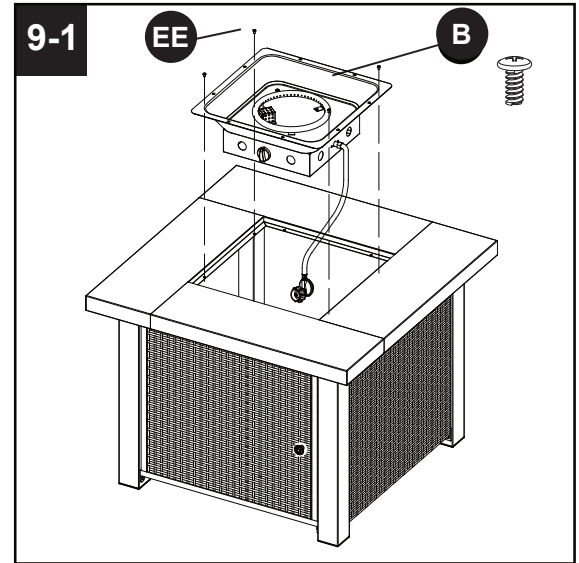
9-2. Todas las piezas ensambladas se verán como en la figura 9-2.

10 - 1. Fije la perilla (M) a la tapa de la mesa (A) con un tornillo M4 X 5 (AA). Coloque las piedras de vidrio (un paquete) (O) arriba del quemador y coloque la tapa de la mesa sobre el quemador ensamblado (B). No cubra la pantalla de ignición con piedras de vidrio.

Herrajes utilizados

AA Tornillo M4 X 5  x 1

FF Destornillador Phillips  x 1



INSTRUCCIONES DE ENSAMBLAJE

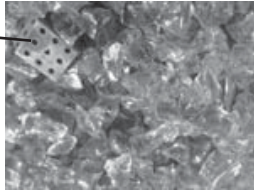
10-2. Completa la instalación pozo de fuego total.

ADVERTENCIA

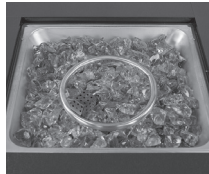
NO CUBRA LA PANTALLA DE IGNICIÓN cuando coloque las piedras de vidrio dentro de la cesta de brasas. Siempre mantenga la pantalla de ignición visible. Esta pantalla debe estar despejada y libre de obstrucciones para asegurar un funcionamiento correcto.

Pantalla

No coloque vidrio sobre la pantalla. Mantenga la pantalla despejada.



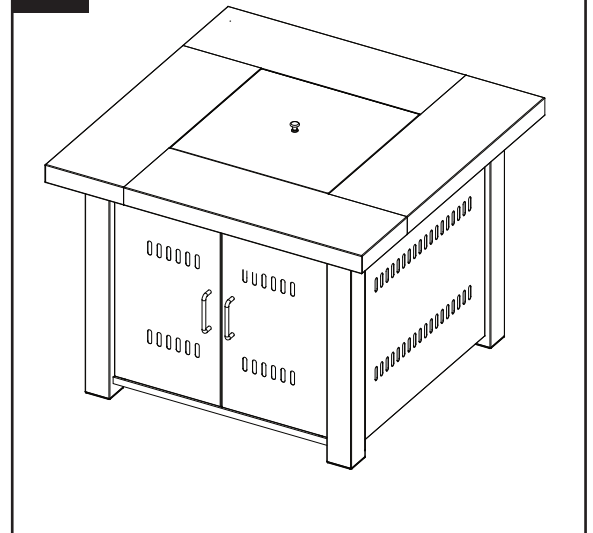
CORRECTO



INCORRECTO

El quemador de la cesta de brasas debe estar completamente cubierto de piedras de vidrio. De lo contrario la llama puede apagarse a veces. Como referencia, mire las figuras CORRECTO e INCORRECTO.

10-2



CUIDADO: ESTE PRODUCTO NO ES PARA USO COMERCIAL. DISEÑADO PARA USO RESIDENCIAL ÚNICAMENTE.

Utilice guantes cuando manipule las piedras de vidrio.

No se siente ni se ponga de pie sobre la mesa.

Mantenga a los niños alejados durante el ensamblaje. Este producto contiene piezas pequeñas las cuales pueden ser tragadas por niños.

No se utilice en espacios interiores ni dentro de ningún recinto cerrado.

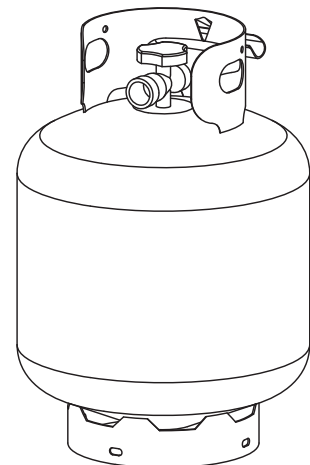
Conserve las instrucciones de ensamblaje para futura referencia.

Instalador- por favor deje estas instrucciones al propietario.

11. Utilice solamente tanques de 20 libras (altura de 18.11 pulgadas/46 cm, diámetro del tanque de 9.84 pulgadas/25 cm, diámetro de la base de 8.03 pulgadas/20.4 cm) equipado con un dispositivo de conexión del tanque compatible con la conexión para el regulador de la manguera suministrada con este electrodoméstico. El gas propano y el tanque se venden por separado.

Un tanque de propano dentado, oxidado o dañado puede ser peligroso y debe ser revisado por su suministrador de gas. Nunca utilice un tanque de propano con una válvula de conexión dañada.

11



Tanque estándar de 20 libras

INSTRUCCIONES DE ENSAMBLAJE

El tanque de propano debe estar construido y marcado de acuerdo a las especificaciones establecidas para los tanques de gas propano por el Departamento de Transporte de los Estados Unidos (U.S. Department of Transportation (DOT)) o CAN/CSA-B339 del estándar para tanques, esferas y tubos para el transporte de mercancía y comisión peligrosas.

El tanque debe tener un dispositivo de prevención de llenado.

El tanque debe tener un dispositivo de conexión compatible con la conexión del electrodoméstico.

Nunca conecte un tanque de propano no regulado con este electrodoméstico.

El tanque debe incluir un collarín para proteger la válvula del tanque. El tanque de gas no debe dejarse caer ni manipularse bruscamente.

Si el dispositivo no está en uso, el tanque de gas debe estar desconectado. El almacenamiento de un electrodoméstico en interiores se permite SOLAMENTE si el tanque está desconectado y removido del electrodoméstico. Los tanques deben ser almacenados al aire libre fuera del alcance de los niños y no deben ser almacenados en edificios, garajes ni áreas cerradas. Su tanque no debe almacenarse en lugares donde las temperaturas puedan alcanzar más de 125°F/51.5°C.

INSTRUCCIONES DE ENSAMBLAJE

La presión máxima de suministro de entrada de gas es de 250 psi/1750 kPa. La presión mínima de entrada de gas es de 5 psi/35 kPa. El mínimo de 10000 BTU/2.93 kW por hora es el consumo calórico necesario para un calentador en funcionamiento automático con tasas de consumo inferiores a la tasa de consumo completa.

Coloque un tapón anti polvo sobre la salida de la válvula del tanque siempre que no esté en uso. En la salida de la válvula del tanque solamente instale el tipo de tapón anti polvo que se suministra con la válvula del tanque. Otros tipos de tapas o taponos pueden causar fugas de propano.

NO obstruya la circulación del aire de combustión ni la ventilación de aire del fogón. El tanque de propano debe colocarse de tal manera que sea un dispositivo de extracción de vapor y debe estar equipado con un dispositivo de protección de sobrellenado. NOTA: el tanque debe estar completamente en posición vertical para que el tanque libere únicamente vapor.



CORRECTO



INCORRECTO



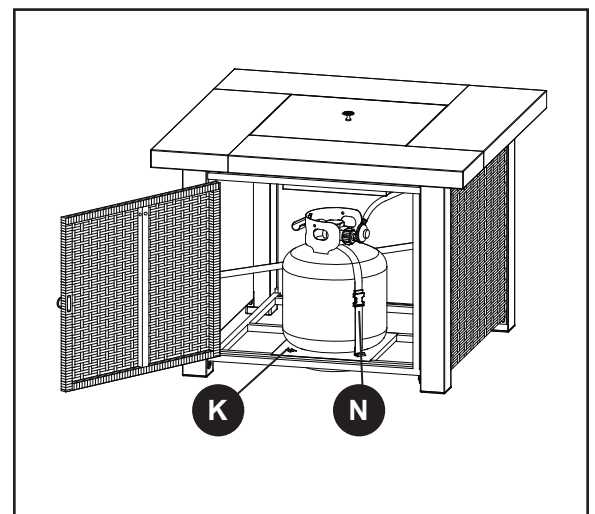
INCORRECTO

⚠ PRECAUCIÓN

- No almacene un tanque de gas propano de repuesto debajo o cerca de este electrodoméstico.
- Nunca llene el tanque por encima del 80% de su capacidad.
- Si no se sigue exactamente la información contenida en (a) y (b), puede producirse un incendio ocasionando la muerte o lesiones serias.

El regulador de presión y el conjunto de la manguera suministrados con el electrodoméstico deben ser utilizados. La instalación debe ser conforme a códigos locales o, en la ausencia de códigos locales, código nacional de gas combustible ANS Z223.1/NFPA54, código de instalación de gas natural y propano CSA B149.1, o código de almacenamiento y manipulación de propano B149.2.

- Asiente y posicione el tanque de propano en la placa inferior (K) y fije el tanque con la correa como (N) se muestra en la figura.





INSTRUCCIONES DE USO

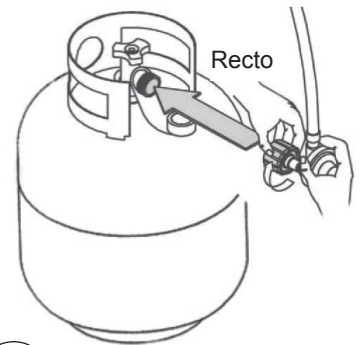
Antes de conectar, asegúrese de que no hay escombros atrapados en la salida del tanque de gas, salida de la válvula de regulación o en la salida del quemador y orificios del quemador. Mantenga la válvula del tanque de propano cerrada y desconecte el tanque de propano de la válvula de regulación cuando el fogón no esté en uso.



⚠ ADVERTENCIA

TODAS LAS INSTRUCCIONES Y MEDIDAS DE SEGURIDAD EN ESTA PÁGINA DEBEN SEGUIRSE PARA PREVENIR INCENDIO, DAÑOS Y/O LESIONES.

CONEXIÓN DEL TANQUE DE GAS PROPANO

1. La perilla del tanque de gas propano debe estar cerrada. Asegúrese de que la perilla esté completamente girada hacia la derecha .
2. Verifique que la perilla de control en la unidad de control esté apagada.
3. Remueva el tapón protector de la válvula del tanque y la tuerca de acoplamiento.
4. Sujete el regulador en una mano e inserte la boquilla roscada en la salida de la válvula. Asegúrese de que la boquilla esté centrada en la salida de la válvula. La tuerca de acoplamiento se conecta a las roscas grandes exteriores en la salida de la válvula. Tenga cuidado de no dañar ni colocar descentradas las roscas de la conexión.
5. Apriete la tuerca de acoplamiento con la mano girando hacia la derecha  hasta que se detenga completamente. Apriete firmemente únicamente con la mano. No utilice herramientas.



Para Desconectar: Cierre completamente la válvula del tanque girando hacia la derecha . Gire la tuerca de acoplamiento girando hacia la izquierda  hasta que se separe el ensamblaje del regulador.

⚠ ADVERTENCIA

Durante el proceso de conexión asegúrese de que:

- el conector de la entrada del regulador se acopla con la salida de la válvula del tanque correcta, segura y firmemente, y;
- la manguera de gas propano no esté en contacto o se quede en contacto con el ensamblaje del quemador.

VERIFICACIÓN DE FUGAS

Una vez que todas las conexiones estén listas, compruebe que no hay fugas en ninguna de las conexiones ni ajustes en la válvula del tanque de gas de propano, manguera de gas ni regulador con una solución de agua y jabón.

Para prevenir incendio o explosión cuando esté comprobando que no hay fugas:

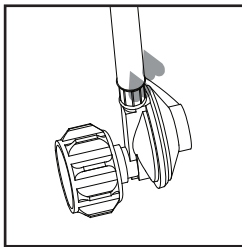
- Siempre verifique que no hay fugas antes de encender el fogón.
- No fume mientras comprueba que no hay una fuga.
- Siempre verifique que no hay fugas al aire libre y en un área bien ventilada.
- No utilice ninguna fuente de fuego mientras verifica que no hay fugas.
- No utilice el fogón hasta que todas y cada una de las fugas hayan sido corregidas.
- Si no puede corregir una fuga, desconecte el suministro de propano y llame al servicio técnico de un distribuidor de electrodomésticos de gas.

INSTRUCCIONES DE USO

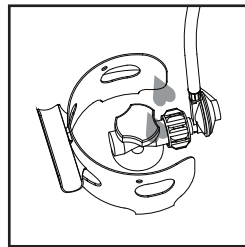
VERIFICACIÓN DE FUGAS

⚠ ADVERTENCIA

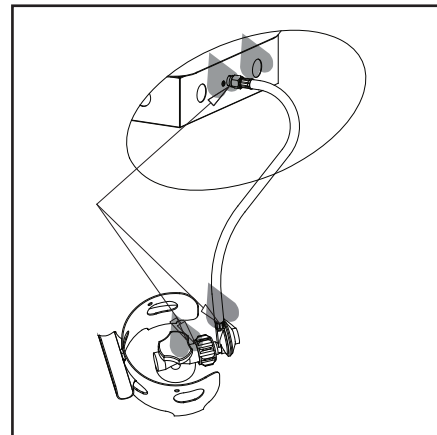
- Realice todas las pruebas de fugas al aire libre.
- Apague todos los fuegos abiertos.
- NUNCA realice una prueba de fugas mientras fuma.
- No utilice el fogón antes de haber realizado una verificación de fugas en todas las conexiones y que no tengan fugas.



Conexión de la manguera con el regulador



Conexión del regulador con el tanque



1. Prepare 2-3 onzas de solución para la verificación de fugas (una parte de detergente lavaplatos y tres partes de agua).
2. Coloque la solución para fugas en un frasco de aerosol.
3. Asegúrese de que la válvula del tanque y la válvula de control estén APAGADAS.
4. Aplique varias gotas de solución donde la manguera se une al regulador.
5. Aplique varias gotas de solución donde el regulador se conecta con el tanque.
6. GIRE el cilindro en la válvula.

Si aparecen burbujas en alguna de las conexiones entonces hay una fuga.

1. APAGUE la válvula del tanque.
2. Si la fuga está en la conexión de la manguera con el regulador: apriete la conexión y realice otra prueba de fugas. Si siguen apareciendo burbujas, debe devolver la manguera a la tienda donde la compró.
3. Si la fuga está en la conexión del regulador con el tanque: desconecte, vuelva a conectar y realice otra prueba de fugas. Si sigue viendo burbujas después de varios intentos, la válvula del tanque está defectuosa y debe devolverla a la tienda donde compró el tanque.

Si NO aparecen burbujas en ninguna de las conexiones, las conexiones son seguras.

Nota: Siempre que se aflojen o remuevan las conexiones, usted debe realizar una prueba de fugas completa.

Instalación completada.

⚠ PELIGRO

NUNCA UTILICE UN MECHERO/LLAMA PARA VERIFICAR SI HAY FUGAS.

INSTRUCCIONES DE USO

Nota: Otros tanques podrían ser aceptados para su uso con este electrodoméstico siempre y cuando tengan el mismo perfil y dimensiones para ser compatible con el receptáculo y sistema de fijación del electrodoméstico.

Precaución: No intente la puesta en funcionamiento antes de haber leído y comprendido toda la información de seguridad general en este manual, haber completado el ensamblaje y que se hayan realizado las pruebas de fugas.

Antes de encender el suministro de gas:

1. Su fogón fue diseñado y aprobado para uso al aire libre únicamente. NO lo utilice dentro de un edificio, garaje ni alguna otra área cerrada.
2. Asegúrese de que los alrededores estén libres de materiales combustibles, gasolina, y otros vapores o líquidos inflamables.
3. Asegúrese de que las ventilaciones de aire no estén obstruidas. Asegúrese de que todas las conexiones de gas estén apretadas y que no hay fugas.
4. Asegúrese de que la cubierta del tanque esté libre de escombros. Asegúrese de que cualquier componente que se haya removido durante el ensamblaje o mantenimiento sea reemplazado y fijado antes de comenzar.

Antes de encender:

1. El fogón debe ser inspeccionado exhaustivamente antes de cada uso, y al menos una vez al año por un técnico cualificado. Si tiene que volver a encender un fogón caliente siempre espere al menos 5 minutos.
2. Inspeccione que no haya evidencias de abrasión, cortes o uso excesivo del conjunto de la manguera. Debe comprobar que no hay fugas en cualquier área sospechosa. Si la manguera tiene fugas, debe reemplazarse antes de la puesta en funcionamiento. Solo utilice el repuesto del conjunto de la manguera especificado por el fabricante.

Encendido:

1. Gire la perilla de control a la posición de “ENCENDIDO” (◯) (figura a).
2. Abra completamente la válvula del tanque de gas propano.
3. Empuje la perilla de control de gas y gírela hacia la izquierda hasta “IGNICIÓN” (⚡) (figura b) para encender el fogón.
Si es necesario, siga apretando y girando la perilla de control hacia la izquierda hasta que la calefacción se encienda (debe escuchar un chasquido).
4. Una vez que se haya encendido el fogón, suelte la perilla. Empuje y gire la perilla de control hasta “ALTO” (🔥), luego suelte la perilla de control. Si quiere una temperatura más baja, empuje la perilla de control y gire hacia la izquierda hasta “BAJO” (🔥) (figura c).

Nota: Si el quemador no permaneciese encendido, deben cerrarse todas las válvulas y debe transcurrir un período de al menos 5 minutos antes de intentar encenderlo de nuevo.

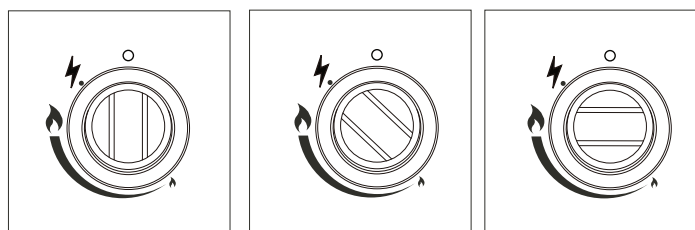


Figura a

Figura b

Figura c

ADVERTENCIA

POR SU SEGURIDAD

Tenga cuidado cuando intente encender manualmente este fogón. Mantener pulsada la perilla de control por más de 10 segundos antes del encendido, hará que se forme una bola de fuego cuando se encienda.

Cuando el fogón esté ENCENDIDO:

Se verán lenguas de fuego azules y amarillas en el quemador. Estas llamas no deben ser amarillas ni producir humo espeso negro, lo cual indica que hay una obstrucción del flujo de aire a través de los quemadores. La llama debe ser azul con puntas rectas amarillas. Si se detecta demasiada llama amarilla, apague el tanque de propano y el fogón y consulte “cuidado y mantenimiento” en la página 48.

Volver a encender:

1. Gire la perilla de control a la posición de APAGADO (○).
2. Repita los pasos para “Encendido” en la página anterior.
3. Al volver a encender una fogata caliente, espere siempre al menos 5 minutos.

ADVERTENCIA

POR SU SEGURIDAD

El fogón estará caliente después de su uso. Manipule con sumo cuidado.

Apagado del quemador:

Presione la perilla de control y gírela a la posición de APAGADO (○).

Desconexión del tanque de propano:

1. Asegúrese de que la perilla de control esté en la posición de APAGADO (○) y espere 45 minutos hasta que el electrodoméstico esté frío.
2. Apague la válvula del tanque y luego desconecte el regulador de la manguera del tanque.
3. Almacene el tanque en un lugar adecuado.

INSTRUCCIONES DE USO

Lista de verificación para el uso:

Para una experiencia de calefacción segura y placentera, realice esta verificación antes de cada uso.

Antes del uso:

1. Estoy familiarizado completamente con todo el manual del propietario y entiendo todas las precauciones indicadas.
2. Todos los componentes están correctamente ensamblados, intactos y operativos.
3. No se han realizado modificaciones.
4. Todas las conexiones de gas son seguras y no hay fugas.
5. La velocidad del viento es inferior a 10 mph / 16 km/h.
6. La unidad funcionará a una eficiencia reducida inferior a 40°F/4°C.
7. El fogón está al aire libre (fuera de cualquier recinto).
8. Hay una ventilación de aire fresco adecuada.
9. El fogón está alejado de gasolina o cualesquiera otros líquidos o vapores inflamables.
10. El fogón está alejado de ventanas, aberturas de toma de aire, rociadores y otras fuentes de agua.
11. El fogón está alejado de materiales combustibles al menos 24" pulgadas/60.96 cm de los laterales y 72 pulgadas/182.88 cm hacia abajo.
12. El fogón está sobre una superficie dura y nivelada.
13. No hay signos de nidos de arañas o insectos.
14. Todos los pasajes del quemador están despejados.
15. Todos los pasajes de circulación de aire están despejados.
16. Tanto niños como adultos deben ser advertidos de los peligros de las altas temperaturas de la superficie y deben permanecer alejados para evitar quemaduras o que se prenda fuego en la ropa.
17. Niños pequeños deben ser supervisados cuidadosamente cuando estén en el área del fogón.
18. Ropa u otro material de protección no se debe colgar del fogón ni colocarse sobre o cerca del fogón.
19. Cualquier protector o dispositivo de protección que se haya removido para mantenimiento del fogón debe reemplazarse antes de poner en funcionamiento el fogón.
20. La instalación y mantenimiento deben ser realizados por un técnico de servicio cualificado. El fogón debe ser inspeccionado antes de ser utilizado y al menos una vez al año por un técnico de servicio cualificado.
21. Una limpieza más frecuente puede ser requerida según sea necesario. Es indispensable que el compartimiento de control, quemador y pasajes de circulación de aire del fogón se mantengan limpios.

Después del uso:

1. La válvula de control del gas está en posición de APAGADO (○).
2. La válvula del tanque está APAGADA.
3. Desconecte el regulador de la manguera del tanque de propano.

⚠ ADVERTENCIA

POR SU SEGURIDAD

- NO toque ni mueva el fogón durante al menos 45 minutos después de su uso.

Para disfrutar por años de un funcionamiento extraordinario de su fogón, asegúrese de realizar las siguientes tareas de mantenimiento regularmente:

Mantenga las superficies exteriores limpias.

1. Utilice agua caliente jabonosa para su limpieza. Nunca utilice agentes limpiadores inflamables o corrosivos.
2. Durante la limpieza de su fogón, asegúrese de mantener el área alrededor del quemador seca todo el tiempo. No sumerja el ensamblaje de la válvula de control. Si el control de gas se sumerge en agua, NO lo utilice. Debe ser reemplazado.
 - a. Mantenga el área del electrodoméstico limpia y libre de materiales combustibles, gasolina y otros vapores y líquidos inflamables.
 - b. No obstruya el flujo de combustión y ventilación de aire.
 - c. Mantenga la(s) abertura(s) de ventilación del recinto del tanque despejada y libre de escombros.
3. El flujo de aire debe estar despejado. Mantenga controles, quemador y pasajes de circulación de aire limpios. Signos de posible bloqueo incluyen:
 - Olor a gas con puntas de la llama extremadamente amarillas.
 - El fogón NO alcanza la temperatura deseada.
 - El brillo del fogón es excesivamente irregular.
 - El fogón hace ruidos de estallidos.
 - Arañas e insectos pueden hacer nidos en el quemador y orificios. Esta es una condición peligrosa que puede dañar el fogón y dejarlo inhabilitado para su uso seguro. Limpie los agujeros del quemador utilizando un limpiador de tubería para trabajo pesado. Aire comprimido puede ayudar a limpiar a fondo pequeñas partículas.
 - Depósitos de carbón pueden generar peligro de incendio. Limpie la cúpula y pantalla de ignición con agua caliente jabonosa si aparecen depósitos de carbón.



Nota: En un ambiente salino (como cerca del mar), la corrosión ocurre más rápido de lo normal. Inspeccione frecuentemente que no haya áreas corroídas y repárelas inmediatamente.

CONSEJO:

Utilice cera para autos de alta calidad para ayudar a conservar la apariencia de su fogón.

RESOLUCIÓN DE PROBLEMAS

Almacenamiento

Entre usos:

- Apague la válvula de control y la válvula del tanque.
- Desconecte el regulador de la manguera del tanque de propano.
- Almacene el fogón en posición vertical en un área protegida del contacto directo con condiciones climatológicas inclementes (como lluvia, aguanieve, granizo, nieve, polvo y escombros).
- Si lo desea, cubra el fogón para proteger las superficies exteriores y para ayudar a prevenir acumulaciones en los pasajes de aire.

Nota: Espere hasta que el fogón se enfríe antes de cubrirlo.

Durante períodos de inactividad prolongada o durante su transporte:

- Apague la válvula de control y la válvula del tanque.
- Desconecte el regulador de la manguera y mueva el tanque de propano a un lugar al aire libre seguro y bien ventilado.
- Almacene el fogón en posición vertical en un área protegida del contacto directo con condiciones climatológicas inclementes (como lluvia, aguanieve, granizo, nieve, polvo y escombros).
- Si lo desea, cubra el fogón para proteger las superficies exteriores y para ayudar a prevenir acumulaciones en los pasajes de aire. Nunca deje el tanque de gas propano expuesto a la luz directa del sol o al calor excesivo.

Nota: Espere hasta que el fogón se enfríe antes de cubrirlo.

Servicio

Únicamente un técnico de servicio cualificado debería reparar los pasajes de gas y componentes asociados.

Precaución: Siempre deje que el fogón se enfríe antes de intentar hacerle mantenimiento.

UN AÑO DE GARANTÍA LIMITADA

Si este producto falla debido a defecto en materiales o fabricación dentro del primer año a partir de la fecha original de compra, lo reemplazaremos o repararemos, a nuestra discreción, gratuitamente. Para pedir repuestos u obtener mantenimiento dentro de la garantía, llame al 1-877-447-4768 de lunes a viernes de 8:30 am a 4:30 pm, hora central estándar. Esta garantía no cubre defectos causados por uso inapropiado o anormal, abuso, accidente o modificación. No seguir todas las instrucciones en el manual del propietario también invalidará esta garantía. El fabricante no se hace responsable por daños accidentales o consecuentes, o la erosión común de productos de uso al aire libre. Algunos estados no permiten la exclusión o limitación de daños accidentales o consecuentes, en cuyo caso la limitación anterior no aplica a usted. Esta garantía le otorga derechos específicos legales, y puede que usted tenga otros derechos legales que varían dependiendo del estado en que resida.

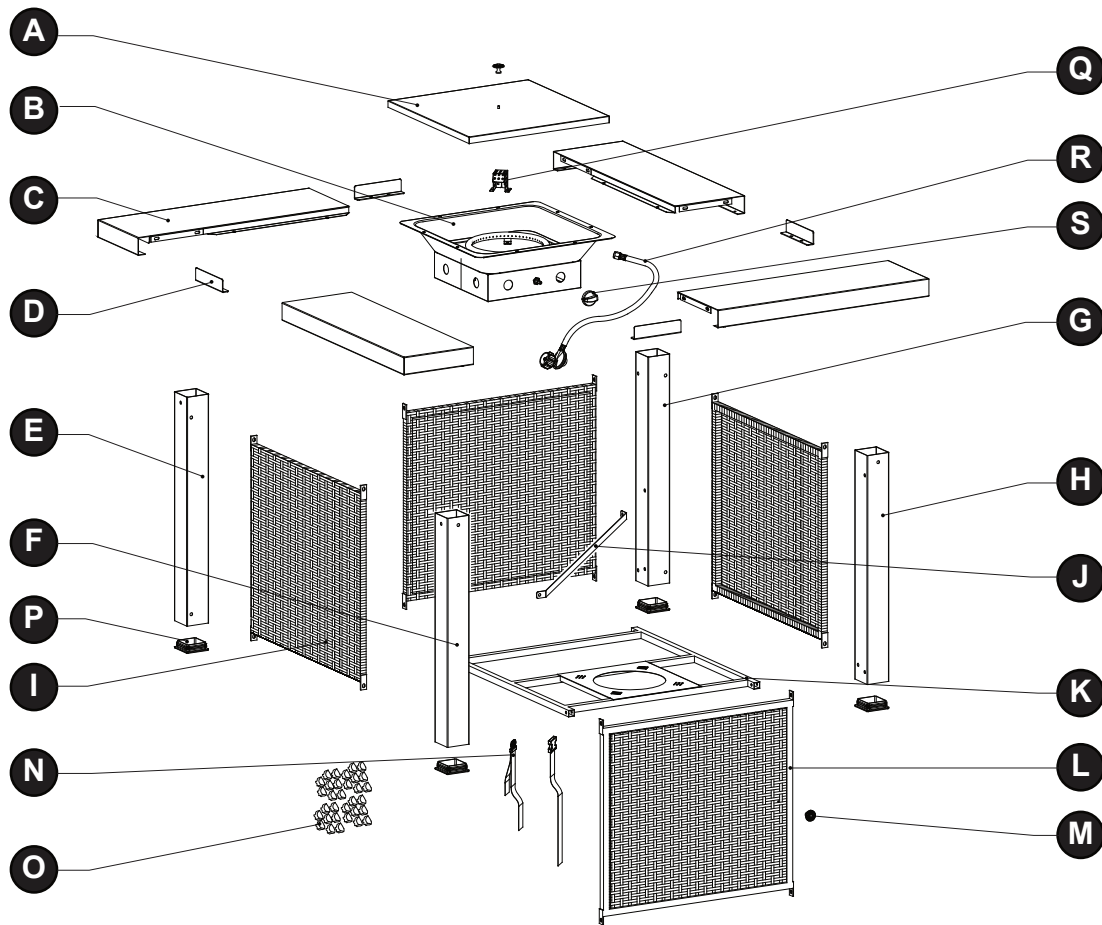
SOLUCIÓN DE PROBLEMAS

PROBLEMA	POSIBLE CAUSA	MEDIDA CORRECTIVA
El quemador no se enciende	El tanque propano se hiela por encima	Espere a que el tanque de propano se caliente y se descongele
	Obstrucción en orificio	Despeje la obstrucción
	La perilla de control no está en posición de ENCENDIDO	Coloque la perilla de control en posición de ENCENDIDO
La llama del quemador es baja	La presión de gas es baja	APAGUE la válvula del tanque y reemplace el tanque
	La temperatura exterior es inferior a 40°F/4°C y el tanque está por debajo de 1/4 de su capacidad	Utilice un tanque lleno
	Perilla de control completamente ENCENDIDA	Verifique que el quemador y orificios no estén obstruidos
Acumulación de carbón	Suciedad o capa de sucio en la pantalla de ignición	Limpie la pantalla de ignición
Humo espeso negro	Obstrucción en el quemador	Elimine la obstrucción y limpie el quemador por dentro y por fuera

PAQUETE DE HERRAJES

DESCRIPCIÓN	PIEZA #
Paquete de herrajes	30-09-117
<p>The diagram illustrates the contents of the tool kit. It includes: <ul style="list-style-type: none"> Four sets of sockets labeled DD, shown in perspective and top-down views. Two individual sockets labeled EE. Two sets of sockets labeled BB. Two sets of sockets labeled CC, shown in top-down views. A large combination wrench labeled GG. Two small components labeled AA, shown in a vertical column. </p>	<p>Model/Modelo/Modèle OFG419T</p> <p>Questions, problems, missing parts? Before returning to your retailer, call our customer service department at 1-877-447-4768, 8:30 a.m. - 4:30 p.m., CST, Monday - Friday.</p> <p>¿Preguntas, problemas, piezas faltantes? Antes de volver a la tienda, llame a nuestro Departamento de Servicio al Cliente al 1-877-447-4768, de lunes a viernes de 8:30 a.m. a 4:30 p.m., hora central estándar.</p> <p>Des questions, des problèmes, des pièces manquantes? Avant de retourner l'article au détaillant, appelez notre service à la clientèle au 1 877 447-4768, entre 8 h 30 et 16 h 30 (HNC), du lundi au vendredi.</p> <p style="text-align: right;">30-09-117</p>

LISTA DE PIEZAS DE REPUESTO PARA OFG419T



PIEZA	DESCRIPCIÓN	CANT	PIEZA NO.
A	Tapa de la mesa	1	30-06-309
B	Ensamblaje del quemador	1	30-06-310
C	1/4 de mesa	4	30-06-311
D	Ángulo de acero	4	30-06-312
E	Mástil de soporte trasero (izq.)	1	30-06-314
F	Mástil de soporte frontal (izq.)	1	30-06-315
G	Mástil de soporte trasero (der.)	1	30-06-316
H	Mástil del soporte frontal (der.)	1	30-06-317
I	Panel lateral	3	30-06-331
J	Correa de fijación del tanque	1	30-06-319

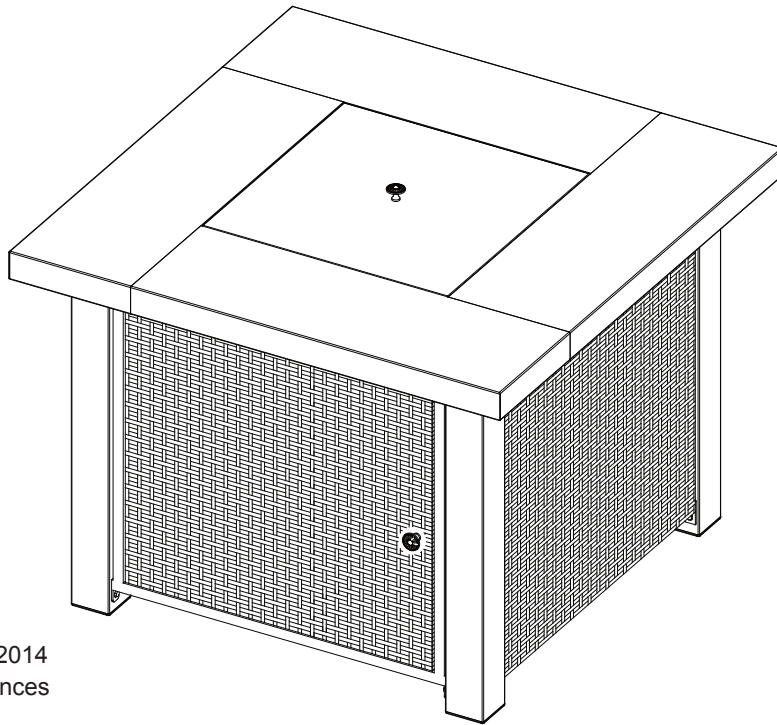
PIEZA	DESCRIPCIÓN	CANT.	PIEZA NO.
K	Placa inferior	1	30-06-320
L	Puerta	1	30-06-332
M	Perilla	2	30-06-323
N	Correa del tanque de propano	1	30-06-325
O	Vidrio ámbar (un paquete)	1	30-06-324
P	Capuchón del tubo de la pata	1	30-06-326
Q	Pantalla	1	30-06-327
R	Manguera y regulador de gas	1	30-06-329
S	Perilla de control	1	30-06-328
HWP	Paquete de herrajes	1	30-09-117

FOYER AU PROPANE POUR L'EXTÉRIEUR

NO. DE MODÈLE OFG419T

English p.1

Español p. 27



C US

ANS Z21.97-2014 • CSA 2.41-2014
Outdoor Decorative Gas Appliances

Bouteilles de
propane vendues
séparément.

INSTRUCTIONS IMPORTANTES

VEUILLEZ LIRE CE MANUEL AVANT D'INSTALLER ET D'UTILISER L'APPAREIL

⚠ AVERTISSEMENT!!

SI LES INFORMATIONS CONTENUES DANS CE MANUEL NE SONT PAS SUIVIES EXACTEMENT, UNE ÉLECTROCUTION OU UN INCENDIE PEUT SURVENIR, CAUSANT DES DOMMAGES MATÉRIELS, DES BLESSURES OU DES PERTES DE VIE HUMAINE.

INSTALLATEUR : Laissez ce manuel chez le consommateur.
CONSOMMATEUR : Veuillez conserver ce manuel pour référence ultérieure.

JOINDRE VOTRE REÇU ICI

Numéro de série _____ Date d'achat _____



Questions, problèmes, pièces manquantes? Avant de retourner chez votre détaillant, appelez notre service à la clientèle au 1-877-447-4768, 08h30 à 16h30 HNC, du lundi au vendredi, ou contactez customerservice@ghpgroupinc.com.

TABLE DES MATIÈRES

Informations de sécurité	56
Contenu de l'emballage	59
Préparation	60
Instructions de montage	61
Instructions d'emploi	69
Entretien et maintenance	74
Garantie	75
Dépannage	76
Liste des pièces de rechange	78

⚠ AVERTISSEMENT!: Pour utilisation à l'extérieur seulement.

⚠ DANGER:

S'il y a une odeur de gaz :

1. Coupez l'admission de gaz de l'appareil.
2. Éteindre toute flamme nue.
3. Si l'odeur persiste, éloignez-vous de l'appareil et appelez immédiatement le fournisseur de gaz ou le service d'incendie.

⚠ AVERTISSEMENT!:

Ne pas entreposer ni utiliser de l'essence ni d'autres vapeurs ou liquides inflammables dans le voisinage de l'appareil, ni de tout autre appareil.

Une bouteille de propane qui n'est pas raccordée en vue de son utilisation, ne doit pas être entreposée dans le voisinage de cet appareil ou de tout autre appareil.

⚠ AVERTISSEMENT!: Une installation, un ajustement, une modification, une réparation ou un entretien inapproprié peuvent être la cause de blessures ou de dommages. Veuillez lire attentivement les instructions d'installation, d'utilisation et d'entretien avant d'installer ou de réparer ce matériel.

⚠ DANGER



MONOXYDE DE CARBONE

Cette appareil peut produire du monoxyde de carbone, un gaz inodore.

L'utilisation de cet appareil dans des espaces clos peut entraîner la mort.

Ne jamais utiliser cet appareil dans un espace clos comme un véhicule de camping, une tente, une automobile ou une maison.

ÉTIQUETTE POUR BOUTEILLE GPL

⚠ DANGER — Gaz inflammable sous pression.

Une fuite de GPL peut causer un incendie ou une explosion si enflammée entraînant des blessures corporelles graves ou la mort. Communiquer avec le fournisseur de GPL pour les réparations ou pour disposer de cette bouteille ou du GPL non utilisé.

⚠ Avertissement Pour usage à l'extérieur seulement.*

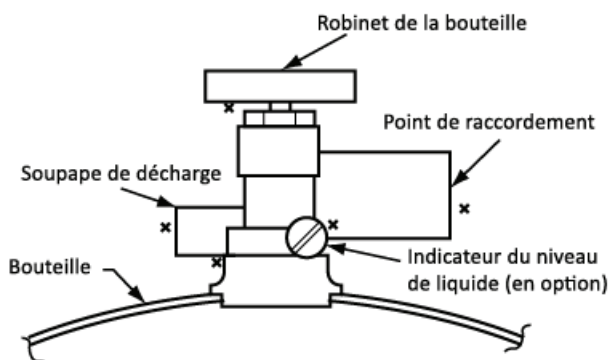
Ne pas utiliser ni entreposer la bouteille dans un bâtiment, un garage ou un endroit fermé.

⚠ Avertissement :

- Apprenez à reconnaître l'odeur du GPL. Si vous entendez, voyez ou sentez une fuite de GPL, éloignez immédiatement toutes les personnes de la bouteille et appelez le service d'incendie. Ne tentez aucune réparation.
- Avertissement pour le fournisseur de GPL :
Assurez-vous que la bouteille a été purgée de tout l'air avant de procéder au remplissage initial.
Assurez-vous de ne pas trop remplir la bouteille.
Assurez-vous que la date de requalification de la bouteille a été vérifiée.
- Le GPL est plus lourd que l'air et peut se déposer près du sol avant de se dissiper.
- Le contact avec le contenu liquide de la bouteille peut causer des brûlures à la peau par le froid.
- Ne pas permettre aux enfants de jouer avec la bouteille.
- Si la bouteille n'est pas raccordée pour utilisation, s'assurer que le robinet est fermé. Les bouteilles des appareils autonomes de cuisson en plein air doivent être limitées à une capacité d'au plus 30 lb.
- Ne pas utiliser, entreposer ni transporter une bouteille si elle risque d'être exposée à des températures élevées. La soupape de décharge pourrait s'ouvrir et libérer une grande quantité de gaz inflammable.
- Lors du transport, sécuriser la bouteille en position debout et s'assurer que le robinet est fermé.

Lors du raccordement pour utilisation :

- Utilisez uniquement conformément aux codes en vigueur.
- Lisez et suivez les instructions du fabricant.
- Consultez les instructions du fabricant visant le raccordement de la bouteille fournie avec l'appareil.
- Assurez-vous que l'évent du régulateur n'est pas dirigé vers le haut.
- Fermez tous les robinets sur l'appareil.
- Ne pas utiliser d'allumette ou de flamme nue pour vérifier la présence d'une fuite de gaz. Appliquez une solution d'eau savonneuse sur les zones marquées d'un « X ». Ouvrir le robinet de la bouteille. Si des bulles se forment, fermez le robinet et demandez à une personne qualifiée pour l'entretien d'appareils au GPL de faire les réparations requises. Avant d'allumer l'appareil, vérifiez aussi les robinets et les raccordements de l'appareil afin de vous assurer qu'il n'y a pas de fuite.
- Allumez l'appareil selon les instructions du fabricant.
- Lorsque vous n'utilisez pas l'appareil, gardez le robinet de la bouteille fermé.



NE PAS RETIRER, BARBOUILLER OU EFFACER CETTE ÉTIQUETTE
***SAUF DANS LES CAS PERMIS SELON LES NORMES L'ANSI/NFPA 58**
ou la CSA B149.2

⚠ DANGER. Ne pas entreposer une bouteille de GPL sous l'appareil ou à proximité de celui-ci et de toute source de chaleur. Ne jamais remplir une bouteille de GPL à plus de 80 % de sa capacité : un incendie causant la mort ou des blessures graves peut se produire.

INFORMATIONS DE SÉCURITÉ!

Veillez lire et bien comprendre ce manuel dans son intégralité avant de tenter d'assembler, d'utiliser ou d'installer le produit. Si vous avez des questions concernant le produit, veuillez appeler le service à la clientèle au 1-877-447-4768 08h30 à 16h30 HNC, du lundi au vendredi.

DANGER

- Ignorer les dangers, les avertissements et les mises en garde figurant dans ce manuel de propriétaire peut entraîner des blessures corporelles graves, voire mortelles, ou un incendie ou une explosion causant des dommages à la propriété.

AVERTISSEMENT!

- Pression d'alimentation de gaz maximale à l'entrée : 250 lb/po²/1750 kPa. Pression d'admission avec régulateur fourni : 11 pouces C.E/2,74 kPa.
- Pour usage à l'extérieur seulement. Ne pas utiliser ne entreposer la bouteille dans un bâtiment, un garage ou un endroit fermé.
- N'UTILISEZ pas cet appareil pour cuisiner.
- L'installation de ce produit doit être conforme aux codes locaux ou, en l'absence de codes locaux, au National Fuel Gas Code, ANSIZ223.1/NFPA 54, ou le CAN/CGA-B149.1, Natural Gas and Propane Installation Code.
- Ne pas utiliser cet appareil s'il a été plongé, même partiellement, dans l'eau. Appeler un technicien qualifié pour inspecter l'appareil et remplacer toute partie du système de commande et toute commande qui a été plongée dans l'eau.
- Ne pas stocker une bouteille de propane de rechange ou débranchée sous ou près de cet appareil.
- Ne pas faire fonctionner l'appareil au propane en présence d'une fuite de gaz.
- Ne jamais utiliser une flamme pour vérifier s'il y a des fuites de gaz.
- La distance minimale entre les matériaux combustibles et les côtés de votre appareil au propane doit être de 24 pouces/60,96 cm et entre le haut de votre appareil au propane, l'espace libre doit être de 72 pouces/182,88 cm. Placez l'appareil uniquement sur une surface non combustible.
- Ne mettez aucune autre couverture d'appareil ou toute autre matière inflammable sur ou sous l'appareil.
- **L'appareil au propane ne doit jamais être utilisé par des enfants. Les jeunes enfants doivent être surveillés attentivement lorsqu'ils sont près de l'appareil.**
- **Les enfants et adultes doivent être avertis des dangers des températures de surface élevées et garder une distance suffisante pour ne pas se brûler ou brûler des vêtements.**
- Si le feu s'éteint pendant qu'il brûle, fermez la vanne à gaz. Suivez les instructions et attendez cinq minutes avant de tenter de rallumer l'appareil.
- N'utilisez jamais de bois ou tout autre combustible solide dans l'appareil. Les combustibles solides ne doivent pas être brûlés dans ce foyer à gaz.
- **Ne jamais suspendre ou placer les vêtements ou autres matériaux inflammables sur ou près de l'appareil.**
- Ne jamais se pencher sur l'appareil allumé ou placer des mains ou des doigts sur la partie supérieure de l'unité en marche.
- Garder les conduits de ventilation dans le range-bouteille propres et sans encombrements ou débris
- Ne pas modifier l'appareil.
- Convertir une unité au gaz propane en unité au gaz naturel ou tenter d'alimenter une unité au propane avec du gaz naturel est dangereux.
- Ne peut fonctionner qu'avec des bouteilles à mention PROPANE. Ne pas raccorder à une alimentation en gaz éloignée.
- Ne pas utiliser cet appareil dans des véhicules ou des bateaux. Il faut toujours faire fonctionner l'appareil sur une surface plate.

INFORMATIONS DE SÉCURITÉ!

AVERTISSEMENT!

- Gardez tout tuyau d'alimentation de carburant et fil électrique loin des surfaces chauffées.
- Gardez votre appareil loin de matériaux combustibles, d'essence et d'autres vapeurs et liquides inflammables.
- Effectuez une inspection visuelle du brûleur pour détecter d'éventuelles obstructions. Gardez l'enceinte du réservoir loin de tous débris.
- Ne mettez pas l'appareil en marche avant que toutes les pièces aient été installées.
- **Toute grille ou autre dispositif de protection enlevé pendant la réparation ou l'entretien de l'appareil doit être remplacé avant l'utilisation de l'appareil.**
- Le tuyau doit être remplacé avant que l'appareil soit mis en marche s'il y a des signes d'abrasions ou d'usures excessives, ou si le tuyau est endommagé. Le tuyau de rechange doit être le même que celui spécifié par le fabricant.
- **L'installation et la réparation doivent être réalisées par un technicien qualifié. L'appareil doit être inspecté avant l'utilisation et au moins tous les ans par un technicien qualifié. Un nettoyage plus fréquent peut être nécessaire selon les besoins. Il est impératif de maintenir propres le compartiment de contrôle, les brûleurs et les conduits d'air en circulation.**
- La bouteille de gaz propane utilisée doit être construite et marquée conformément aux spécifications pour les bouteilles de gaz PL du Department of Transportation (D.O.T.) des États-Unis ou la Norme nationale du Canada, CAN/CSA-B339, bouteilles à gaz cylindriques et sphériques et tubes pour le transport des marchandises dangereuses; et Commission, le cas échéant; et fournie avec un dispositif de prévention de débordement énuméré.
- Utilisez uniquement des bouteilles de 20 livres (hauteur : 18,11 pouces/46 cm, diamètre du réservoir : 9,84 pouces/25 cm, diamètre du pied : 8,03 pouces/20,4 cm) équipées d'un dispositif de raccordement des bouteilles compatible avec la connexion pour le régulateur de tuyau fourni avec cet appareil. La bouteille doit inclure un collier pour protéger le robinet de la bouteille. Il ne faut pas faire tomber ou manipuler sans précaution la bouteille de gaz!
- Les bouteilles doivent être entreposées à l'extérieur dans un endroit bien aéré, hors de portée des enfants.
- Débranchez la bouteille lorsque l'appareil n'est pas utilisé.
- Les bouteilles débranchées doivent avoir des bouchons de vanne solidement installés et ne doivent pas être entreposées dans un bâtiment ou dans tout autre espace clos.
- Ne pas utiliser cet appareil sous les parasols, auvents, etc.
- Utilisez l'appareil uniquement sur des surfaces stables.
- Ne pas utiliser avec une couverture en vinyle ou en PVC.
- Laissez l'appareil se refroidir avant de placer une couverture en vinyle ou PVC sur l'appareil.
- Ne pas s'asseoir sur l'appareil.
- Ne jamais utiliser de charbon ou d'essence pour briquets dans le foyer.
- Ne pas utiliser d'essence, de kérosène ou d'alcool pour l'allumer.
- Ne jamais garder une bouteille GLP remplie dans une voiture ou un coffre de voiture surchauffé. La chaleur fera augmenter la pression du gaz, ce qui peut ouvrir la vanne de décharge et laisser le gaz s'échapper.
- Ne vous penchez pas au-dessus du foyer lors de l'allumage. Lisez les instructions avant de l'allumer.
- Si la flamme s'éteint accidentellement lors de l'allumage ou du fonctionnement, FERMEZ immédiatement le robinet de la bouteille et puis DÉACTIVEZ le bouton de contrôle.

! AVERTISSEMENT!

POUR LES UNITÉS À GAZ PROPANE

- Le régulateur de pression de gaz fourni avec l'appareil au propane doit être utilisé.
- Le régulateur de pression de remplacement doit être celui spécifié par le fabricant de l'appareil.
- Ne pas tenter de débrancher la bouteille de gaz ou de n'importe quel raccordement de gaz lorsque votre appareil est en marche.
- Une bouteille de propane bosselée ou rouillée peut être dangereuse et doit être vérifiée par votre fournisseur de gaz avant de l'utiliser.
- Ne pas utiliser une bouteille de propane avec une vanne endommagée ou d'autres pièces usées.
- Transportez et stockez les bouteilles de gaz vides soigneusement et correctement.
- Si vous voyez, sentez ou entendez le sifflement de gaz qui s'échappe de la bouteille de propane :
 1. Débranchez la bouteille de gaz propane
 2. Ne pas tenter de résoudre le problème vous-même.
 3. Contactez votre fournisseur de gaz et/ou le service de pompiers pour de l'aide.

CALIFORNIE PROPOSITION 65

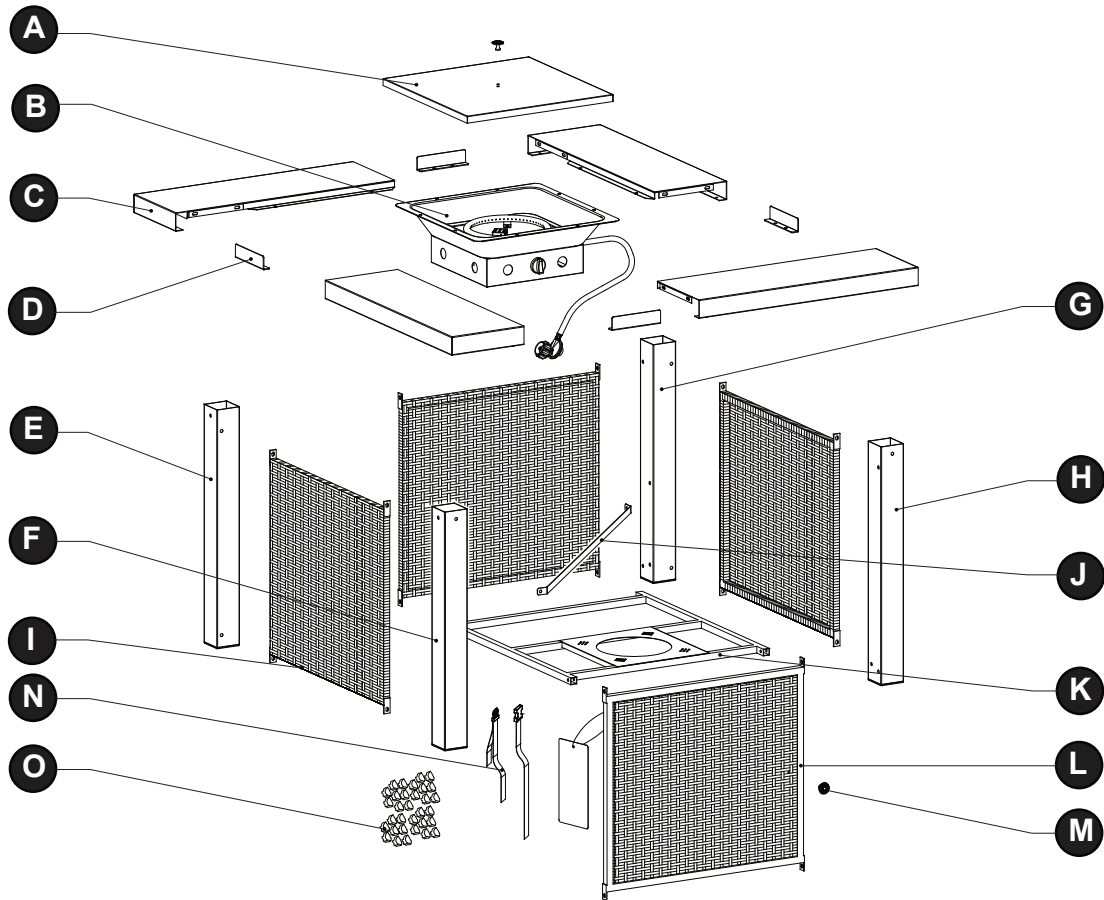
Les sous-produits de combustion produits lors de l'utilisation de ce produit contiennent des produits chimiques, y compris le benzène, reconnu par l'état de Californie comme cancérigènes, pouvant provoquer des malformations congénitales et des problèmes de reproduction.

! ATTENTION

LES ROCHES DE VERRE

1. Ne pas allumer ni utiliser l'unité à gaz si les roches de verre sont mouillées. Assurez-vous que les roches de verre sont complètement sèches avant d'allumer l'appareil car une chaleur intense pourrait les faire craquer.
2. Les roches de verre peuvent percuter le visage ou les yeux d'une personne lors de la première mise en marche de cet appareil. Éloignez-vous de l'appareil pendant les 20 premières minutes après la mise en marche.

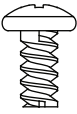
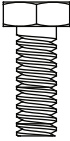
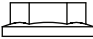
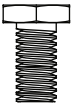
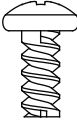
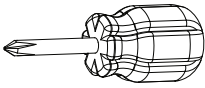
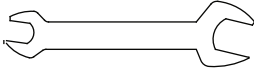
CONTENU DE L'EMBALLAGE OFG419T



PIÈCE	DESCRIPTION	QTÉ.
A	Couvercle de table	1
B	Brûleur	1
C	1/4 de table	4
D	Cornière	4
E	Poteau de support arrière (gauche)	1
F	Poteau de support avant (gauche)	1
G	Poteau de support arrière (droite)	1
H	Poteau de support avant (droite)	1
I	Panneau latéral	3

PIÈCE	DESCRIPTION	QTÉ.
J	Ceinture pour bloquer la bouteille à gaz	1
K	Plaque de fond	1
L	Porte	1
M	Bouton	2
N	Sangle du réservoir à propane	1
O	Roches de verre (un paquet)	1

MATÉRIEL UTILISÉ

AA	BB	CC	DD	EE	FF	GG
						
Vis M4 X 5 Qty. 2	Boulon M6 X 30 Qty. 4	Écrou M6 Qty. 8	Boulon M6 X 12 Qty. 42	Vis M5 X 12 Qty. 4	Tournevis Phillips Qty. 1	Clé Qty. 1

PRÉPARATION

Avant de commencer l'assemblage de l'appareil, assurez-vous d'avoir toutes les pièces. Pour vous en assurer, référez-vous à la liste des pièces répertoriées ci-dessus. Si des pièces sont manquantes ou défectueuses, n'essayez pas d'assembler l'appareil. Veuillez contacter le service à la clientèle afin d'obtenir des pièces de remplacement.

Estimation du temps d'assemblage : 60 minutes

Les outils nécessaires à l'assemblage sont (non inclus):
Solution de détection de fuite.

ATTENTION

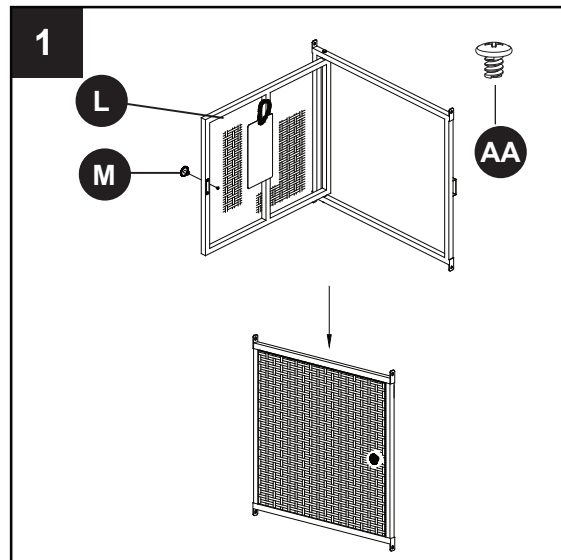
CET APPAREIL EST LOURD. Deux personnes sont requises pour assembler l'appareil en toute sécurité.

Deux personnes sont requises pour assembler cet appareil en toute sécurité. Certaines pièces peuvent avoir des bords tranchants. Portez des gants de protection si nécessaire. Veuillez lire et respecter la notice de sécurité, les avertissements d'usage, le manuel d'assemblage et les consignes d'utilisation et d'entretien avant d'assembler et de mettre en marche l'appareil.

INSTRUCTIONS DE MONTAGE

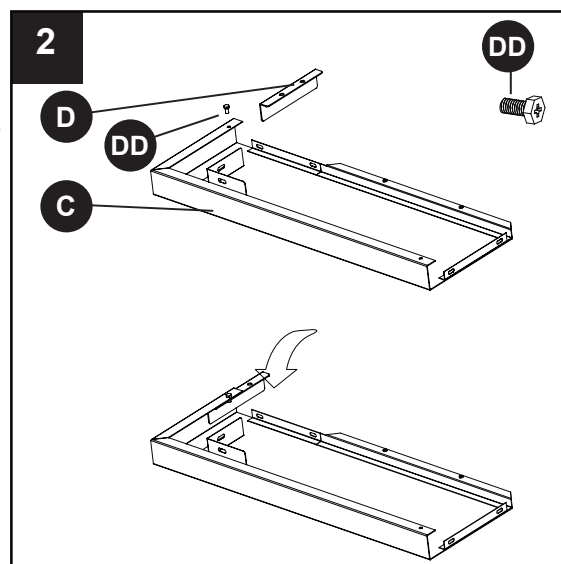
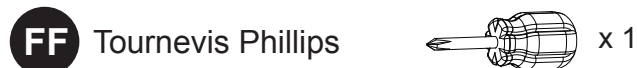
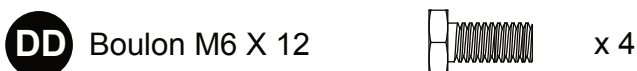
1. Fixez le bouton (M) sur la porte (L) à l'aide d'une vis M4 X 5 (AA).

Matériel utilisé



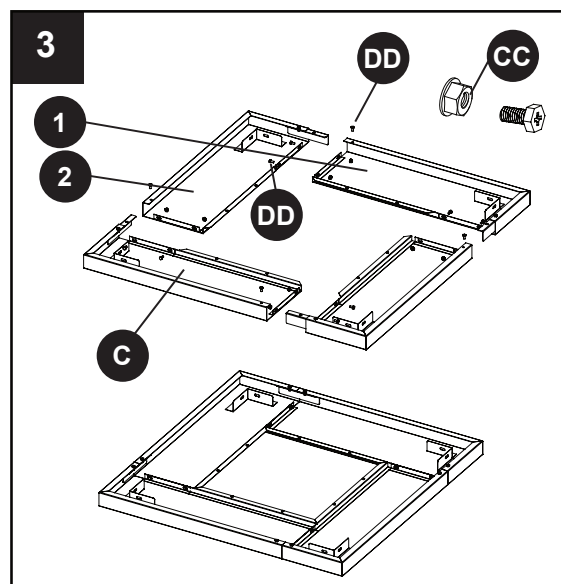
2. Fixez une cornière (D) au 1/4 de table (C) en utilisant Un boulon M6 X 12 (DD). Répétez la procédure pour les trois autres 1/4 de table. Ne les serrez pas complètement à ce stade.

Matériel utilisé



3. Alignez les trous d'un 1/4 de table (C) avec les trous correspondants d'un autre 1/4 de table (C). Insérez deux boulons M6 X 12 (DD) dans les trous. Renforcez en ajoutant deux écrous M6 (CC) et resserrez-les à l'aide de vos doigts. Assurez-vous que ① et ② sont alignés et serrés au maximum. Répétez la procédure pour finir l'assemblage des autres 1/4 de table. Une fois que les 4 panneaux sont connectés et possèdent 2 boulons par point d'ancrage, utilisez un autre boulon M6 X 12 (DD) pour renforcer le contour de la table et sécuriser les bords en 4 points différents. Resserrez les boulons qui n'avaient pas été serrés lors de la seconde étape.

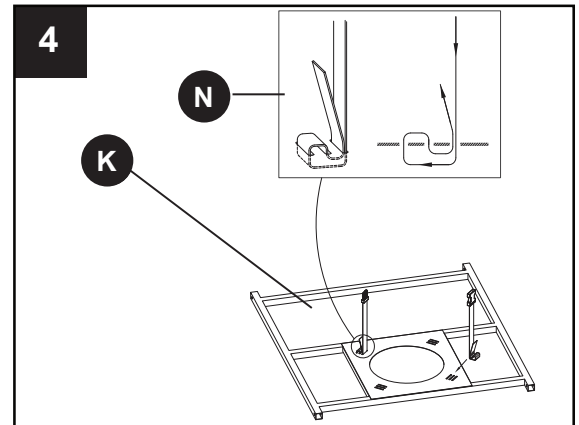
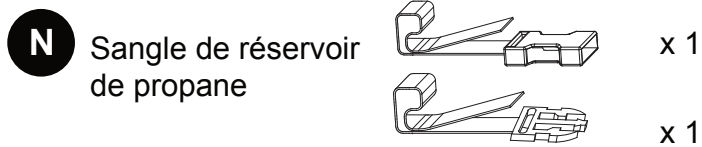
Matériel utilisé



INSTRUCTIONS DE MONTAGE

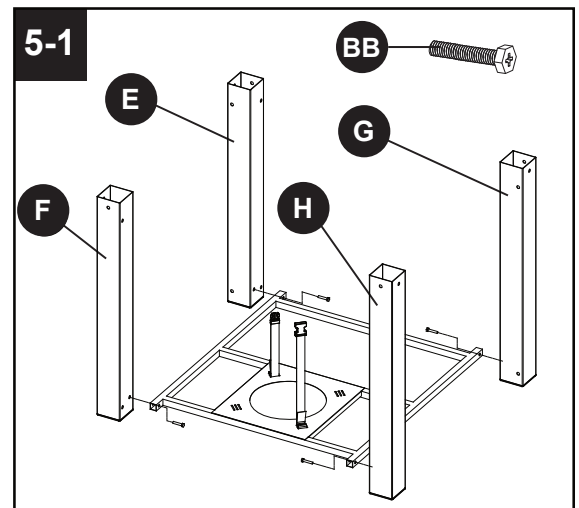
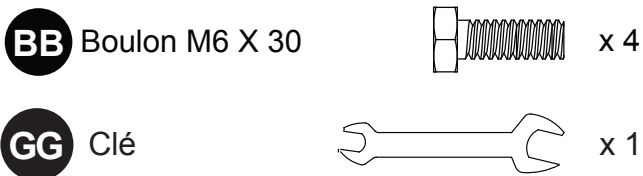
4. Fixez la sangle de réservoir de propane (N) à la plaque de fond (K).

Matériel utilisé



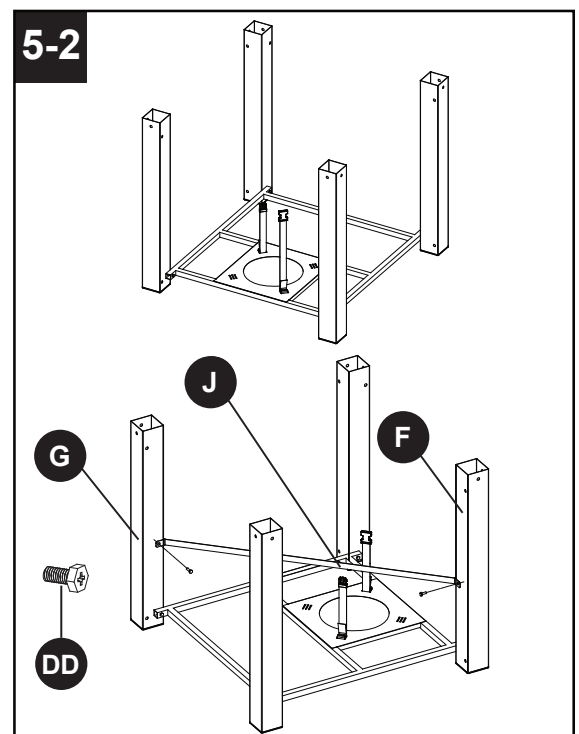
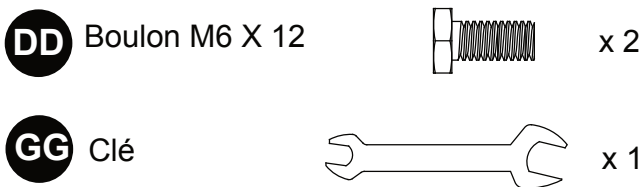
5. Installation du poteau de support
5-1. Fixez quatre poteaux de support (E, F, G, H) à la plaque de fond à l'aide de quatre boulons M6 X 30 (BB).

Matériel utilisé



5-2. Après l'assemblage, fixez les poteaux de support (F, G) et la ceinture pour bloquer la bouteille de gaz (J) à l'aide de deux boulons M6 X 12 (DD).

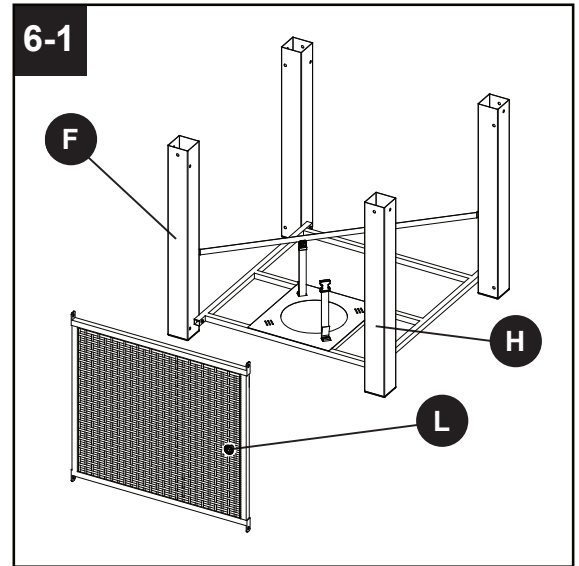
Matériel utilisé



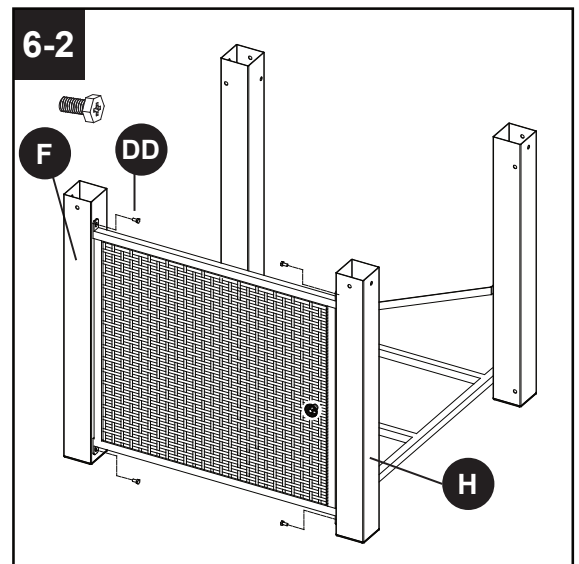
INSTRUCTIONS DE MONTAGE

6. Installation de la porte

6-1. Placez la porte (L) entre les poteaux F et H.

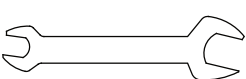


6-2. Positionnez la porte entre les poteaux F (à gauche) et H (à droite) pour que le bouton soit sur la droite près du poteau H. Fixez le support de la porte au poteau F (à gauche) à l'aide de deux boulons M6 x 12 (DD). Fixez-le au poteau H (à droite) à l'aide de deux autres boulons M6 x 12 (DD).



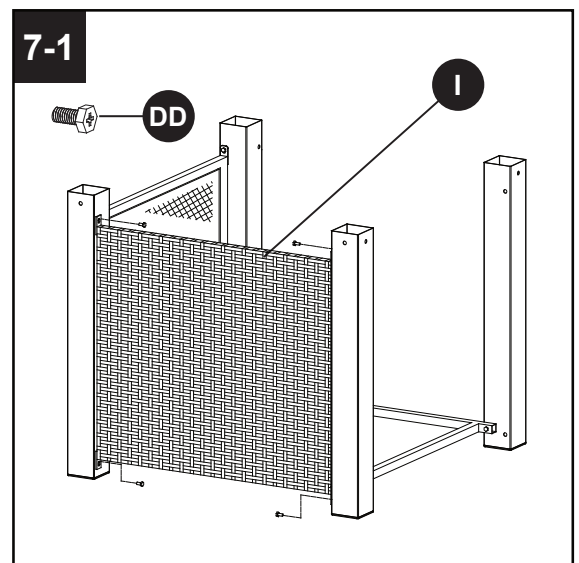
Matériel utilisé

DD Boulon M6 X 12  x 4

GG Clé  x 1

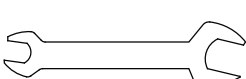
7. Installation du panneau latéral

7-1. Fixez les trois panneaux latéraux (I) aux poteaux de support (E, F, G, H) à l'aide de 12 boulons M6 X 12 (DD).



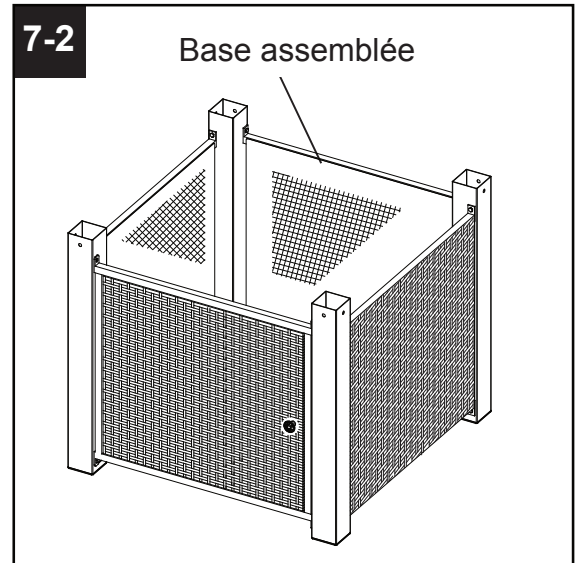
Matériel utilisé

DD Boulon M6 X 12  x 12

GG Clé  x 1

INSTRUCTIONS DE MONTAGE

7-2. Après l'assemblage, la base devrait ressembler au dessin de la figure 7-2.

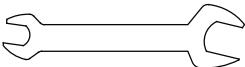


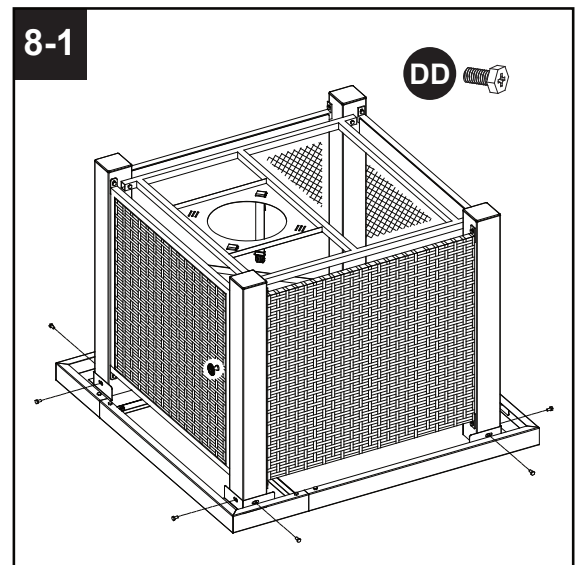
8. Installation de la table

8-1. Mettez la table assemblée à plat par terre, le dessus de la table côté sol. Alignez les trous dans la table assemblée avec les trous correspondants de la base. Insérez huit boulons M6 X 12 (DD) dans les trous, et resserrez-les.

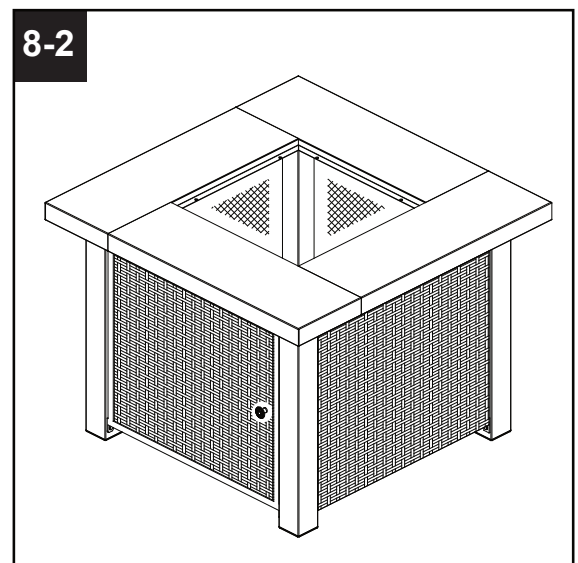
Hardware Used

DD Boulon M6 X 12  x 8

GG Clé  x 1



8-2. Après l'assemblage, l'appareil devrait ressembler au dessin de la figure 8-2.



INSTRUCTIONS DE MONTAGE

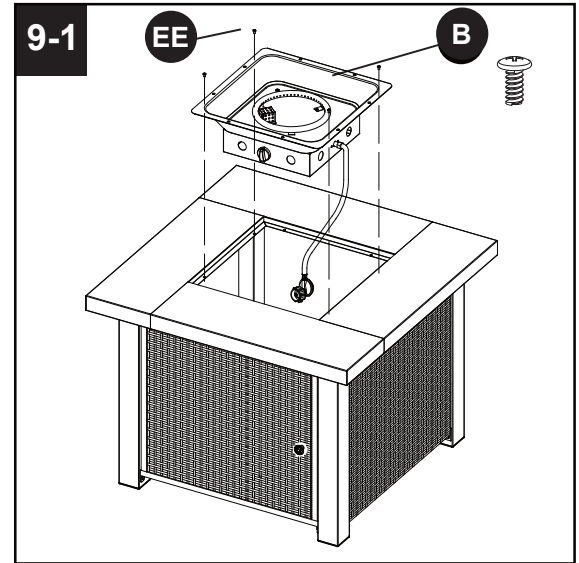
9. Installation du brûleur

9-1. Alignez les trous du brûleur (B) avec les trous de la table assemblée correspondants. Insérez quatre vis M5 X 12 (EE) dans les trous. Vissez-les. Le bouton de contrôle doit faire face à l'avant de l'appareil et de la porte.

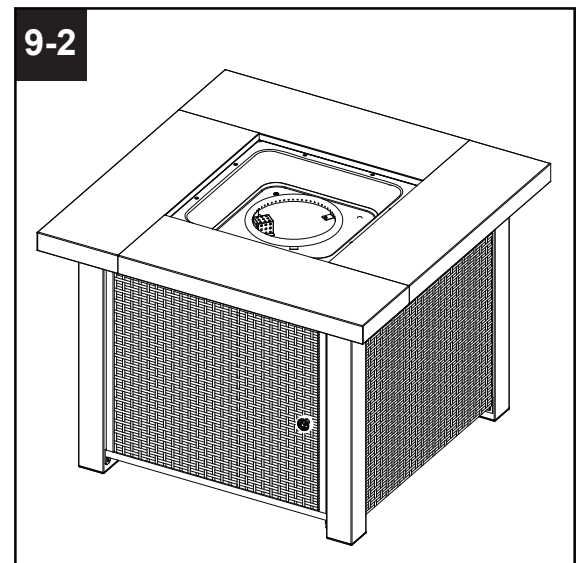
Matériel utilisé

EE Vis M5X12 x 4

FF Tournevis Philips x 1



9-2. L'appareil assemblé ressemblera au dessin de la figure 9-2.

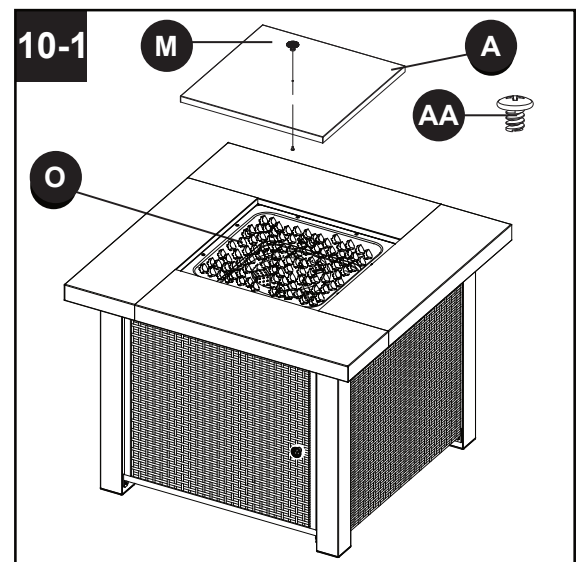


10 - 1. Fixez le bouton (M) au couvercle de la table (A) à l'aide d'une vis M4 X 5 (AA). Versez les roches de verre (un paquet) (O) au dessus du brûleur (B) et remettez le couvercle de table sur le brûleur. Ne versez pas de roches de verre sur l'écran d'allumage.

Matériel utilisé

AA Vis M4 X 5 x 1

FF Tournevis Philips x 1



INSTRUCTIONS DE MONTAGE

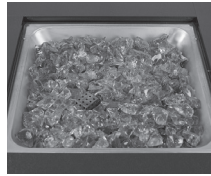
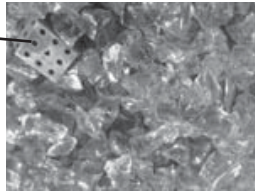
10-2. Installation finale du foyer.

⚠ AVERTISSEMENT!

NE RECOUVREZ PAS L'ÉCRAN D'ALLUMAGE lorsque vous versez les roches de verre dans le panier à braise. Faites en sorte que l'écran d'allumage soit toujours visible. Cet écran doit être dégagé et facilement lisible en tout temps afin d'assurer une utilisation appropriée de l'appareil.

Écran

Ne placez pas de roches de verre sur l'écran. Gardez l'écran dégagé.

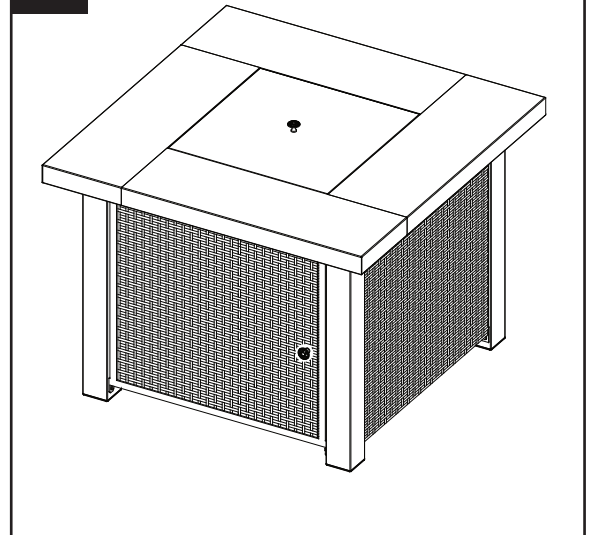


CORRECTE



INCORRECTE

10-2



Le brûleur du panier à braises doit être entièrement recouvert de roches de verre en tout temps, afin d'éviter que la flamme ne s'éteigne. Référez-vous aux figures CORRECTE et INCORRECTE ci-contre.

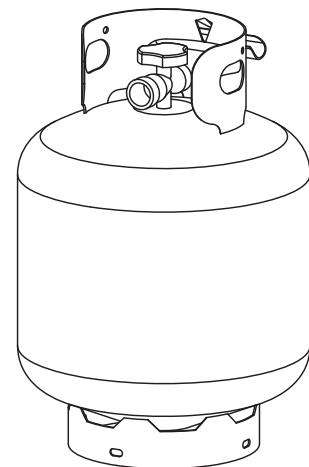
ATTENTION: CE PRODUIT NE DOIT PAS ÊTRE UTILISÉ À DES FINS COMMERCIALES. POUR UTILISATION RÉSIDENNELLE UNIQUEMENT.

**Portez des gants de protection lors de la manipulation des roches de verre.
N'essayez pas de vous asseoir ou de monter sur cette table.
Éloignez les enfants lors de l'assemblage. Ce produit contient des pièces de petite taille que les enfants peuvent avaler par erreur.
N'utilisez pas cet appareil à l'intérieur d'un bâtiment ou dans un espace clos.
Conservez le manuel d'assemblage en vue d'une consultation future.
Installateur : Veuillez confier les instructions au propriétaire de ce produit.**

11. N'utilisez que des bouteilles de 20 lb (hauteur : 18,11 po/46 cm, diamètre du réservoir : 9,84 po/24.99 cm, diamètre du pied : 8,03 po/20.4 cm) équipées d'un système de connexion au réservoir qui est compatible avec le régulateur du tuyau fourni avec l'appareil. Le gaz de propane et la bouteille sont vendus séparément.

Une bouteille à propane bosselée, rouillée ou abimée peut présenter un danger, et doit être vérifiée par son fournisseur. N'utilisez jamais une bouteille à propane qui possède une vanne de connexion défectueuse.

11



Réservoir standard de 20 lbs.

INSTRUCTIONS DE MONTAGE

La bouteille de propane doit être construite et marquée conformément aux spécifications pour les bouteilles de gaz propane du Department of Transportation (DOT) des États-Unis ou la norme sur les bouteilles à gaz cylindriques et sphériques et tubes pour le transport des marchandises dangereuses et commission, CAN/CSA-B339.

La bouteille doit avoir un dispositif de prévention de débordement énuméré.

La bouteille doit avoir un dispositif de connexion compatible avec le système de connexion de l'appareil.

Ne jamais raccorder une bouteille de propane non réglementé à l'appareil.

La bouteille doit avoir un collier pour protéger le robinet de la bouteille. Il ne faut pas faire tomber ni manipuler la bouteille de gaz sans précaution.

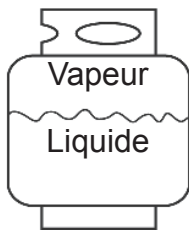
Si l'appareil n'est pas en cours d'utilisation, la bouteille de gaz doit être débranchée. Le stockage d'un appareil à l'intérieur n'est permis QUE si la bouteille est débranchée et retirée de l'appareil. Les bouteilles doivent être entreposées à l'extérieur, hors de portée des enfants et ne doivent pas être entreposés dans un bâtiment, un garage ou tout autre endroit fermé. Votre bouteille ne doit jamais être stockée dans un lieu où la température peut atteindre plus de 51,5 °C/125 °F.

INSTRUCTIONS DE MONTAGE

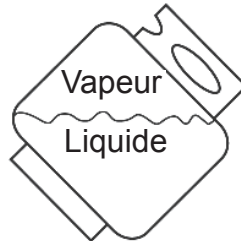
La pression maximale d'alimentation de gaz à l'entrée : 250 lb/po2/1750 kPa. La pression minimale d'alimentation de gaz à l'entrée : 5 lb/po2/35 kPa. Le minimum horaire de 10 000 Btu/2,93 kW est le débit calorifique d'entrée nécessaire pour un appareil de chauffage pour un fonctionnement automatique à des débits inférieurs au débit d'entrée maximal.

Placez un capuchon antipoussière sur la sortie du robinet de bouteille quand la bouteille n'est pas en cours d'utilisation. Installez uniquement le type de capuchon antipoussière qui est fourni avec le robinet de la bouteille à poser sur la sortie du robinet. D'autres types de capuchons ou bouchons peuvent entraîner des fuites de propane.

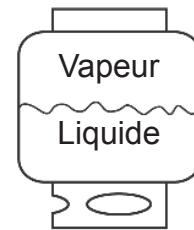
N'OBSTRUEZ pas le courant d'air de combustion ni l'air ventilé allant au foyer. La bouteille de propane doit être placée de façon à ce que la vapeur puisse s'échapper, et équipée d'un dispositif indiqué de prévention de débordement. Veuillez bien orienter la bouteille pour permettre à la vapeur de s'échapper. REMARQUE : La bouteille doit être complètement debout pour permettre à la vapeur seulement de s'échapper.



CORRECTE



INCORRECTE



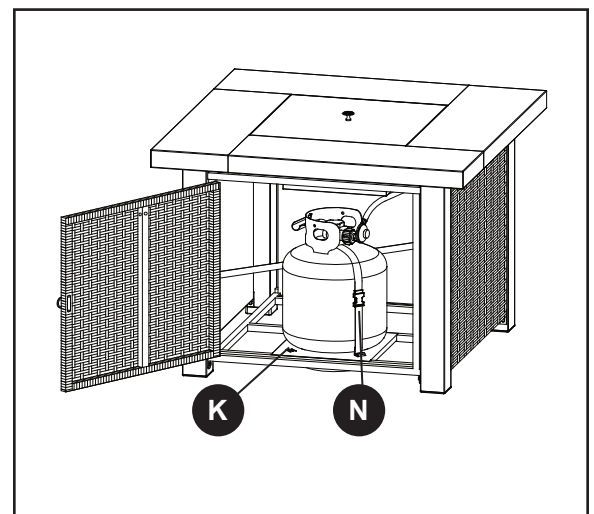
INCORRECTE

⚠ ATTENTION

Ne pas entreposer de bouteille de GPL sous le barbecue ou à proximité de celui-ci et de toute source de chaleur. Ne jamais remplir une bouteille de GPL à plus de 80% de sa capacité: un incendie causant la mort ou des blessures graves peut se produire.

Le régulateur de pression et l'assemblage de tuyau fournis avec l'appareil doivent être utilisés. L'installation doit être conforme aux règlements locaux, ou en l'absence de codes locaux, au code national de gaz, ANS Z223.1/ NFPA54, au code d'installation de gaz naturel ou de propane, CSA B149.1 ou au code de gestion et stockage de propane B149.2.

- Placez la bouteille de propane en position dans la plaque de fond (K) et fixez le cylindre avec la sangle (N) comme indiqué sur la figure.



INSTRUCTIONS D'EMPLOI

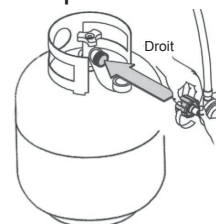
Avant de raccorder la bouteille, assurez-vous qu'il n'y a pas de débris coincé dans la sortie de la bouteille de gaz, la sortie de la vanne de régulation ou la sortie du brûleur et les orifices du brûleur. Maintenez le robinet de la bouteille de propane fermé et débranchez la bouteille de propane de la vanne de régulation quand le foyer n'est pas en cours d'utilisation.

⚠ AVERTISSEMENT!

TOUTES LES INSTRUCTIONS ET MESURES DE SÉCURITÉ SUR CETTE PAGE DOIVENT ÊTRE SUIVIES POUR ÉVITER INCENDIE, DÉGÂTS ET/OU BLESSURE.

BRANCHER LE RÉSERVOIR GPL

1. Le bouton du réservoir GPL doit être fermé. Assurez-vous de tourner le bouton dans le sens des aiguilles d'une montre ↻ jusqu'à ce qu'il se bloque entièrement. Le système d'alimentation du réservoir doit être positionné de façon à permettre l'extraction de la vapeur.
 2. Vérifiez que le bouton de contrôle de l'unité de commande est éteint.
 3. Retirez le capuchon de protection de la vanne du réservoir à propane et de l'écrou de fixation.
 4. Tenez le régulateur d'une main pendant que vous insérez le mamelon dans la sortie de vanne. Assurez-vous que le mamelon est centré par rapport à la sortie de vanne. L'écrou de fixation doit être en contact avec le filet large d'extérieur dans la sortie de vanne. Manipulez avec précaution – ne faussez pas le filetage.
 5. Resserrez l'écrou de fixation à la main dans le sens des aiguilles d'une montre ↻ jusqu'à ce qu'il soit bien serré. Resserrez fermement à la main uniquement. N'utilisez pas d'outils.
- Pour débrancher le réservoir :** Fermez complètement la vanne du réservoir en le tournant dans le sens des aiguilles d'une montre ↻. Tournez également l'écrou de fixation dans le sens contraire des aiguilles d'une montre ↺ jusqu'à ce que le régulateur se détache.



⚠ AVERTISSEMENT!

Lors de la connexion du réservoir GPL, assurez-vous que :

- Le raccord d'admission du régulateur est correctement branché à la sortie de vanne de la bouteille, fermement et en toute sécurité, et que;
- Le tuyau du gaz GPL n'est pas en contact avec le brûleur.

DÉCELER DES FUITES DE GAZ

Après la mise en place de toutes les connexions, vérifiez qu'il n'y a aucune fuite au niveau de la vanne du réservoir GPL, du tuyau du réservoir, du tuyau à gaz et du régulateur à l'aide d'une solution à base d'eau savonneuse.

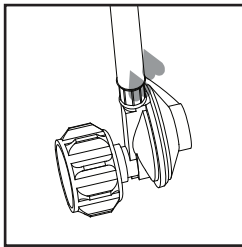
Pour empêcher tout incendie ou toute explosion lors du dépistage d'une fuite :

- Effectuez toujours un test d'étanchéité avant d'allumer le foyer.
- Ne fumez pas à proximité de l'appareil lorsque vous testez son étanchéité.
- Effectuez toujours les tests d'étanchéité à l'extérieur et dans un endroit aéré.
- N'utilisez aucune source de chaleur ou flamme pour déceler une fuite potentielle.
- N'utilisez pas le foyer jusqu'à la complète résolution des problèmes d'étanchéité.
- Si vous ne pouvez pas réparer une fuite, débranchez le réservoir à propane et appelez un fournisseur d'appareils à gaz.

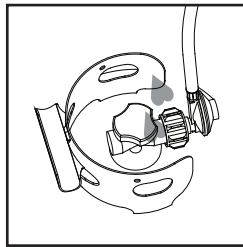
TEST D'ÉTANCHÉITÉ

⚠ AVERTISSEMENT!

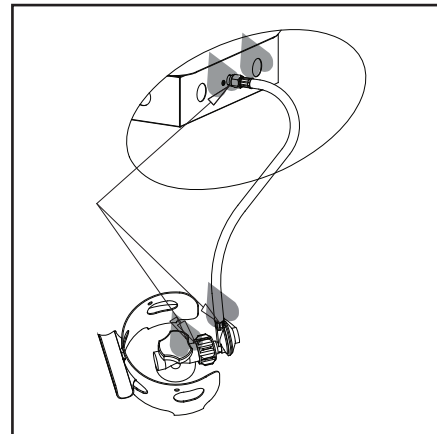
- Effectuez toujours les tests à l'extérieur.
- Eteignez toute flamme nue.
- Ne fumez JAMAIS à proximité de l'appareil lors du test.
- N'utilisez pas le foyer jusqu'à ce que tous les branchements aient été testés puis prouvés étanches.



Connexion
tuyau/régulateur



Connexion
régulateur/
bouteille



1. Préparez 2 à 3 oz de solution pour vérifier l'étanchéité (un volume de liquide vaisselle et trois volumes d'eau).
2. Versez la solution dans un flacon pulvérisateur.
3. Assurez-vous que le robinet de la bouteille et la vanne de contrôle sont en position ARRÊT.
4. Appliquez quelques gouttes de la solution au point d'ancrage du tuyau sur le régulateur.
5. Appliquez quelques gouttes de la solution au point d'ancrage du régulateur sur la bouteille.
6. Mettez le robinet de la bouteille en position MARCHÉ.

Si des bulles apparaissent au niveau d'un point de connexion, cela veut dire qu'il y a une fuite.

1. Mettez le robinet de la bouteille en position ARRÊT.
2. Si la fuite est au niveau du point de connexion entre le tuyau et le régulateur : resserrez la connexion et effectuez un second test d'étanchéité. Si des bulles apparaissent de nouveau, retournez le tuyau à votre point d'achat.
3. Si la fuite est au niveau de la connexion entre le régulateur et le robinet de la bouteille : débranchez-les et rebranchez-les avant de faire un second test d'étanchéité. Si des bulles apparaissent de nouveau après avoir essayé cette manœuvre plusieurs fois, cela veut dire que le robinet de la bouteille est défectueux et que vous devez la retourner à votre point d'achat.

Si AUCUNE bulle n'apparaît lors du test, les connexions sont sûres.

Notez: À chaque fois que vous rebranchez l'appareil après avoir desserré ou débranché les points de connexion, vous devez effectuer un nouveau test d'étanchéité.

Installation terminée.

⚠ DANGER

N'UTILISEZ JAMAIS DE BRIQUET/FLAMME POUR DÉCELER UNE FUITE POTENTIELLE.

INSTRUCTIONS D'EMPLOI

Remarque: Les autres bouteilles peuvent être utilisées avec cet appareil pourvu qu'elles aient le même profil et les mêmes dimensions pour être compatibles avec le range-bouteille et le système de rétention.

Attention: Ne pas mettre en marche jusqu'à ce que vous ayez lu et compris toutes les informations de sécurité continues dans ce manuel et que toute l'installation soit terminée et les contrôles fuite aient été effectués.

Avant d'allumer l'alimentation en gaz :

1. Votre foyer a été conçu et approuvé pour l'usage à l'extérieur seulement. NE PAS l'utiliser à l'intérieur d'un bâtiment, garage ou tout autre espace clos.
2. Assurez-vous que les zones avoisinantes sont exemptes de matières combustibles, d'essence et d'autres vapeurs inflammables ou liquides.
3. Assurez-vous qu'il n'y a aucun obstacle à la ventilation de l'air. Veillez à ce que toutes les connexions sont bien serrées et qu'il n'y a pas de fuites.
4. Assurez-vous que le couvercle du cylindre est exempt de tout débris. Assurez-vous que tout composant enlevé lors de l'installation ou l'entretien est remplacé et bien accroché avant de commencer.

Avant d'allumer :

1. Le foyer doit être soigneusement inspecté avant chaque utilisation et par une personne qualifiée au moins chaque année. Si vous rallumez un foyer encore foyer chaud, attendez toujours au moins 5 minutes.
2. Inspecter les tuyaux pour vérifier qu'il n'y pas de signes d'abrasion, coupures ou usure excessives. Les zones suspectes devraient être testées pour être sûr qu'il n'y a pas de fuites. Si le tuyau fuit, il doit être remplacé avant de mettre l'appareil en marche. Utilisez uniquement le tuyau de remplacement spécifié par le fabricant.

Allumage:

1. Tournez le bouton de contrôle à la position "ARRÊT" (○) (Figure a).
2. Ouvrez complètement la vanne PL (propane).
3. Appuyez sur le bouton de contrôle du gaz et tournez dans le sens inverse des aiguilles d'une montre à "ALLUMEUR" (⚡) (Figure b) pour allumer le foyer.
Si nécessaire, continuez à appuyer sur le bouton de contrôle et à le tourner dans le sens des aiguilles d'une montre jusqu'à ce que le chauffage s'allume (vous devriez entendre un clic).
4. Une fois que le foyer est allumé, relâchez le bouton de contrôle. Enfoncez et tournez le bouton vers "HAUT" (⬆) (Figure c), puis relâchez le bouton de contrôle. Si vous souhaitez une température plus basse, appuyez sur le bouton de contrôle et tournez-le vers dans le sens inverse des aiguilles d'une montre à "BAS" (⬆) (Figure c).

Remarque: Si le brûleur ne reste pas allumé, toutes les vannes doivent être fermées et il faut attendre au moins 5 minutes avant de retenter l'allumage.

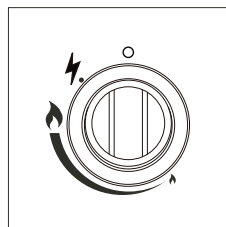


Figure a

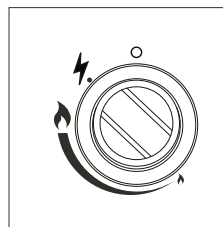


Figure b

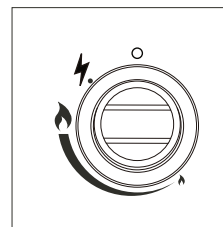


Figure c

⚠ AVERTISSEMENT!

POUR VOTRE SÉCURITÉ

Faites attention lorsque vous essayez d'allumer ce foyer manuellement. Le fait de garder le bouton de contrôle enclenché pendant plus de 10 secondes avant d'allumer le gaz risque de provoquer une boule de feu après l'allumage.

Quand le foyer est ALLUMÉ :

Des flammes bleues et rouges apparaîtront sur le brûleur. Ces flammes ne doivent pas être jaunes, ni produire une épaisse fumée noire. Cela indiquerait qu'il y a un problème de circulation de l'air dans le brûleur. Les flammes doivent être bleues avec des pointes jaunes. Si vous apercevez trop de jaune, éteignez le réservoir de propane et le foyer, puis référez-vous à la section "Entretien et maintenance" de la page 74.

Rallumage:

1. Tournez le bouton de contrôle en position "ARRÊT" (○).
2. Répétez les étapes "d'allumage" de la page précédente.
3. Lorsque rallumer un feu chaud, attendez toujours au moins 5 minutes.

⚠ AVERTISSEMENT!

POUR VOTRE SÉCURITÉ

Le foyer sera chaud après utilisation. Manipulez-le avec extrême précaution.

Éteindre le brûleur :

Pressez le bouton de contrôle et mettez-le en position ARRÊT (○).

Débrancher la bouteille de propane :

1. Assurez-vous que le bouton de contrôle est en position ARRÊT (○) et attendez 45 minutes jusqu'à ce que l'appareil se refroidisse.
2. Éteignez le robinet de la bouteille, puis débranchez le régulateur du tuyau de la bouteille.
3. Entreposez la bouteille dans un endroit approprié.

INSTRUCTIONS D'EMPLOI

Liste de vérification pour un fonctionnement correct.

Pour profiter d'une chaleur plaisante en toute sécurité, vérifiez que les conditions suivantes sont remplies avant de commencer à utiliser l'appareil.

Avant l'utilisation:

1. J'ai lu et compris le manuel d'utilisation et j'ai pris toutes les précautions nécessaires.
2. Les pièces sont intactes, fonctionnelles et correctement assemblées.
3. Aucune modification n'a été faite.
4. Les connexions au gaz sont sûres et ne fuient pas.
5. La vitesse du vent est inférieure à 10 mi/h / 16 km/h.
6. L'appareil aura un rendement plus faible si utilisé à une température inférieure à 40 °F/4 °C.
7. Le foyer se trouve à l'extérieur (en dehors de tout espace clos).
8. Le foyer se trouve dans un espace qui possède un système de ventilation adéquate.
9. Aucune essence ou autre liquide ou vapeur inflammable ne se trouve à proximité du foyer.
10. Le foyer est à distance des fenêtres, conduits d'aération, arroseurs et d'autres sources d'eau et humidité.
11. Tout matériel combustible se trouve à au moins 24 po/60,96 cm des bords de l'appareil, et 72 po/182,88 cm du dessus de l'appareil.
12. Le foyer est placé sur une surface dure et nivelée.
13. Il n'y a aucun nid d'araignées ou d'autres insectes à proximité du foyer.
14. Les conduits du brûleur sont dégagés.
15. Les conduits d'aération sont dégagés.
16. Les enfants et adultes ont été avertis des dangers potentiels des surfaces à température élevée, et de la nécessité de demeurer à distance afin d'éviter toute brûlure de la peau ou des vêtements.
17. Les jeunes enfants doivent être surveillés de près lorsqu'ils se trouvent à proximité du foyer.
18. N'étendez pas de linge ni de tissu de protection sur le foyer, ainsi que dans l'espace qui l'entoure.
19. Tout dispositif de sécurité qui est déplacé lors d'une intervention sur l'appareil doit être remis à sa place avant son utilisation.
20. L'installation et la réparation de l'appareil doivent être effectuées par un technicien qualifié. Le foyer doit être inspecté avant utilisation et doit être vérifié au moins une fois par an par un technicien qualifié.
21. Il est possible qu'il faille nettoyer l'appareil plus souvent. Il est impératif de s'assurer que le panneau de commande, les passages d'arrivée du brûleur et les conduits d'aération du foyer soient propres.

Après utilisation:

1. La vanne de contrôle du gaz est en position ARRÊT (○).
2. La vanne du réservoir à gaz est en position ARRÊT.
3. Débranchez le régulateur du tuyau de la bouteille à propane

⚠ AVERTISSEMENT!

POUR VOTRE SÉCURITÉ

- NE PAS toucher ni déplacer le foyer pendant au moins 45 minutes après son utilisation.

Pour que le foyer reste performant pendant de nombreuses années, entretenez-le régulièrement de la façon suivante :

Maintenez les surfaces externes propres.

1. Utilisez de l'eau savonneuse tiède pour entretenir l'appareil. N'utilisez jamais d'agent de nettoyage inflammable ou corrosif.
2. Lors du nettoyage de votre foyer, assurez-vous que l'espace qui vous entoure reste sec à tout moment. Ne submergez pas la vanne de contrôle. NE PAS utiliser la commande de contrôle du gaz si celle-ci a été submergée. La commande de contrôle doit alors être remplacée.
 - a. La zone qui entoure le foyer doit être propre et débarrassée de tout matériau combustible, essence et d'autres vapeurs et liquides inflammables.
 - b. Ne pas boucher les courants d'air de combustion ni de ventilation.
 - c. Les conduits d'aération de l'enceinte du réservoir doivent être dégagés et ne contenir aucun débris.
3. Le courant d'air ne doit pas être obstrué. Assurez-vous que les commandes de contrôle, le brûleur et les conduits d'air sont propres. Les éléments suivants peuvent indiquer un signe d'obstruction du courant d'air :
 - Une odeur de gaz très forte et des flammes dont les extrémités sont jaunes.
 - Le foyer n'atteint pas la température désirée.
 - La lueur provenant du foyer est anormalement inégale.
 - Le foyer émet des bruits de craquement.
 - Des nids d'araignées ou autres insectes peuvent se trouver dans écran d'allumage et ses conduits. Cela peut endommager le foyer, et le rendre dangereux et inapte à l'utilisation. Nettoyez les conduits du brûleur avec un nettoyeur à tuyaux puissant. Faites un nettoyage à air comprimé si besoin, pour vous débarrasser des petites particules.
 - Les dépôts de carbone peuvent entraîner un risque d'incendie. Nettoyez le dôme et le brûleur à l'aide d'une eau savonneuse en cas de formation de dépôts de carbone.



Remarque: Un environnement salin (près d'un océan, par exemple) peut entraîner la corrosion prématurée de votre foyer. Vérifiez régulièrement que l'appareil n'est pas corrodé et remplacez rapidement les pièces affectées si besoin.

CONSEIL:

Utilisez une graisse automobile de haute qualité pour entretenir la belle apparence de votre foyer.

ENTRETIEN ET MAINTENANCE

Entreposage

Entre chaque utilisation :

- Fermez la vanne de contrôle et le robinet de la bouteille.
- Débranchez le régulateur du tuyau de la bouteille à propane.
- Entreposez le foyer en position verticale dans une zone à l'abri des intempéries (telles que la pluie, la giboulée, la grêle, la neige, la poussière et les débris).
- Si vous le souhaitez, recouvrez le foyer afin d'en protéger l'extérieur et d'empêcher l'accumulation de débris dans les conduits d'aération.

Notez: Attendez que le foyer se soit refroidi avant de le recouvrir.

Lors de longues périodes d'inactivité ou de transport de l'appareil :

- Fermez la vanne de contrôle et le robinet de la bouteille.
- Débranchez le régulateur du tuyau et placez l'appareil ensuite à l'extérieur dans un endroit sûr et bien aéré.
- Entreposez le foyer en position verticale dans une zone à l'abri des intempéries (telles que la pluie, la giboulée, la neige, la poussière et les débris).
- Si vous le souhaitez, recouvrez le foyer afin d'en protéger l'extérieur et d'empêcher l'accumulation de débris dans les conduits d'aération. Ne laissez jamais une bouteille GPL exposée aux rayons du soleil ou à toute autre source de chaleur.

Notez: Attendez que le foyer se soit refroidi avant de le recouvrir.

Réparation

Seul un technicien qualifié peut effectuer les réparations sur les conduits de gaz et les pièces associées.

Avertissement: Attendez toujours que le foyer se refroidisse avant de commencer les réparations.

GARANTIE LIMITÉE D'UN AN

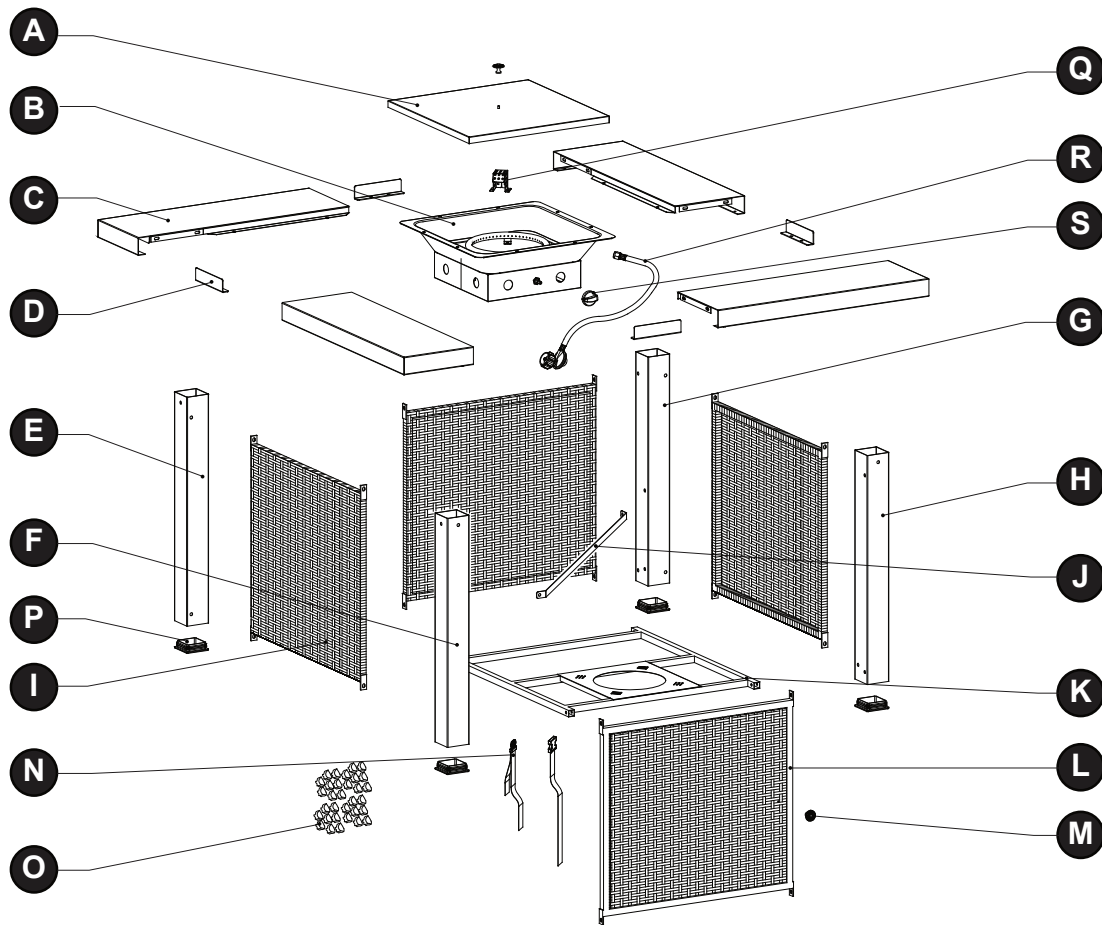
Si dans l'année suivant la date d'achat originale, cet appareil tombe en panne en raison d'un défaut de matériau ou de fabrication, nous le remplacerons ou réparerons, à notre discrétion, sans frais. Pour commander des pièces ou demander des réparations sous garantie, appelez le 1-877-447-4768, de 08h30 à 16h30, HNC, du lundi au vendredi. Cette garantie ne couvre pas les défauts résultant d'une utilisation inappropriée ou anormale, d'un abus, d'un accident ou d'une modification. Ne pas suivre toutes les instructions dans le manuel du propriétaire annulera également cette garantie. Le fabricant ne sera pas responsable des dommages indirects ou accessoires ou des dommages dus à l'érosion commune des produits extérieurs. Certains États n'autorisent pas l'exclusion ou la limitation des dommages accessoires ou indirects, donc la limitation ci-dessus pourrait ne pas vous concerner. Cette garantie vous donne des droits légaux spécifiques et vous pourriez avoir également d'autres droits qui varient en fonction de l'État.

DÉPANNAGE

PROBLÈME	CAUSE POSSIBLE	CORRECTION
Le brûleur ne s'allume pas	La bouteille à propane est gelée	Attendez que la bouteille de propane se réchauffe et dégèle
	Il y a une obstruction quelque part	Retirez l'obstruction
	Le bouton de contrôle n'est pas en position MARCHE	Mettez le bouton de contrôle en position MARCHE
La flamme du brûleur est faible	La pression de gaz est basse	FERMEZ le robinet de la bouteille et remplacez la bouteille
	La température extérieure est inférieure à 40 °F/40 °C et il reste moins d'1/4 du réservoir de gaz	Utilisez une bouteille pleine
	Le bouton de contrôle est correctement positionné sur MARCHE	Vérifiez que le brûleur fonctionne et que les ouvertures ne sont pas obstruées.
Dépôt de carbone	L'écran d'allumage est obstrué par de la poussière ou une couche de saleté	Nettoyez l'écran d'allumage
Épaisse fumée noire	Le brûleur est obstrué	Retirez l'obstruction et nettoyez l'intérieur et l'extérieur du brûleur

DESCRIPTION	NO. DE PIÈCE
Trousse de matériel	30-09-117
	<p>Model/Modelo/Modèle OFG419T</p> <p>Questions, problems, missing parts? Before returning to your retailer, call our customer service department at 1-877-447-4768, 8:30 a.m. - 4:30 p.m., CST, Monday - Friday.</p> <p>¿Preguntas, problemas, piezas faltantes? Antes de volver a la tienda, llame a nuestro Departamento de Servicio al Cliente al 1-877-447-4768, de lunes a viernes de 8:30 a.m. a 4:30 p.m., hora central estándar.</p> <p>Des questions, des problèmes, des pièces manquantes? Avant de retourner l'article au détaillant, appelez notre service à la clientèle au 1 877 447-4768, entre 8 h 30 et 16 h 30 (HNC), du lundi au vendredi.</p> <p style="text-align: right;">30-09-117</p>

LISTE DES PIÈCES DE RECHANGE OFG419T



PIÈCE	DESCRIPTION	QTÉ.	NO. DE PIÈCE
A	Couvercle de la table	1	30-06-309
B	Brûleur	1	30-06-310
C	1/4 de table	4	30-06-311
D	Cornière	4	30-06-312
E	Poteau de support arrière (gauche)	1	30-06-314
F	Poteau de support avant (gauche)	1	30-06-315
G	Poteau de support arrière (droit)	1	30-06-316
H	Poteau de support avant (droit)	1	30-06-317
I	Panneau latéral	3	30-06-331
J	Ceinture pour bloquer la bouteille à gaz	1	30-06-319

PIÈCE	DESCRIPTION	QTÉ.	NO. DE PIÈCE
K	Plaque de fond	1	30-06-320
L	Porte	1	30-06-332
M	Bouton	2	30-06-323
N	Sangle du réservoir à propane	1	30-06-325
O	Verre bleu (un paquet)	1	30-06-324
P	Capuchon du pied	1	30-06-326
Q	Écran	1	30-06-327
R	Régulateur et tuyau du gaz	1	30-06-329
S	Bouton de contrôle	1	30-06-328
HWP	Trousse de matériel	1	30-09-117



GHP Group, Inc.
6440 W. Howard St.
Niles, IL 60714-3302
877-447-4768

Printed in China
Impreso en China
Imprimé en Chine