

ACRI-TEC

BATHTUBS, FREESTANDING, CORNER INSTALLATION

44605 LH

59" x 30³/₄" x 23⁵/₈"

MILLA



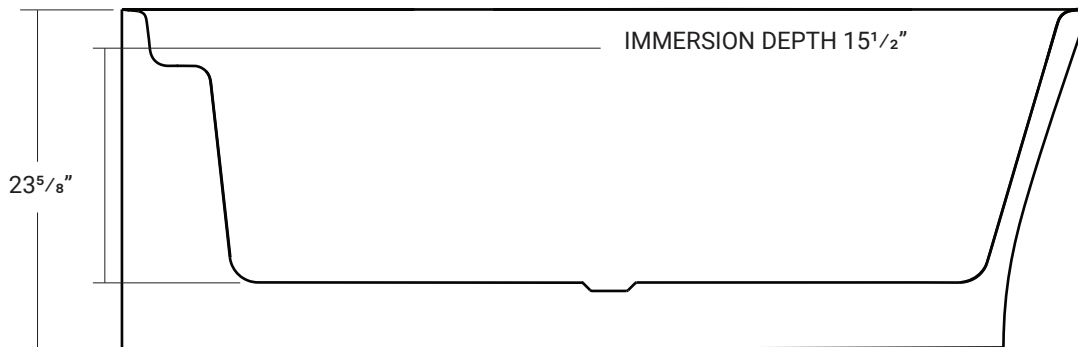
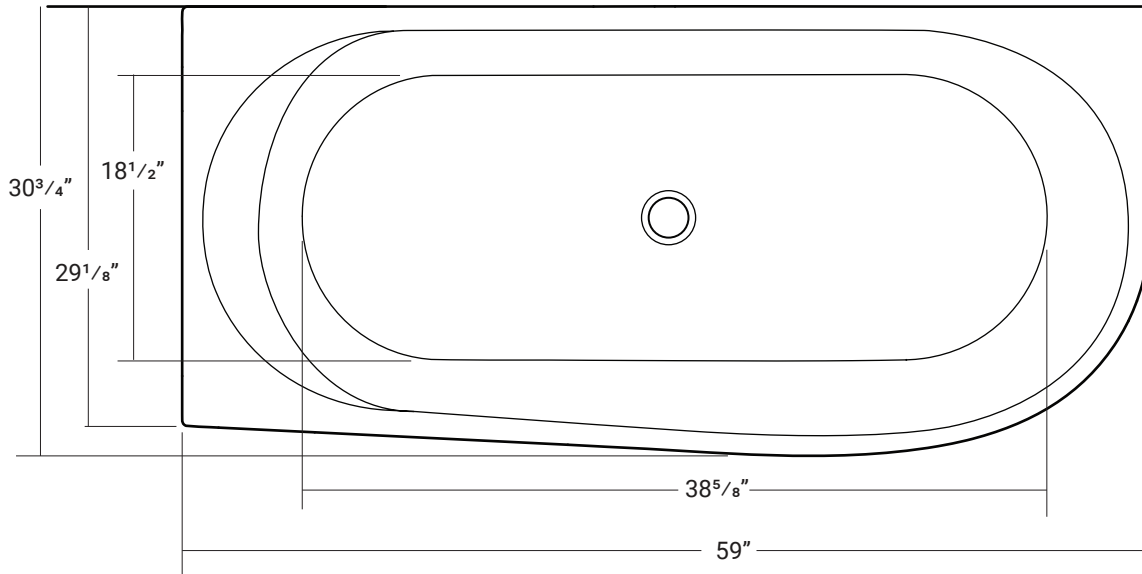
ACRI-TEC

BATHTUBS, FREESTANDING, CORNER INSTALLATION

44605 LH

59" x 30³/₄" x 23⁵/₈"

MILLA



REV. 11/17/2016

*Drawings are not to scale

*All measurements are ±1/4"

In keeping with our policy of continuing improvement, Acritec Industries Corp. reserves the right to change product specifications without notice.

Acritec Industries Corp.



Toll free: 1 (877) 464-3100 e-mail: sales@acritec.com www.acritec.com

ACRI-TEC

BATHTUBS, FREESTANDING, CORNER INSTALLATION

44605 LH

59" x 30³/₄" x 23⁵/₈"

MILLA

PRODUCT SPECIFICATIONS

- 100% Acrylic with fibreglass and wood reinforcement.
- Leveling feet included.
- Available in white.
- Oval interior with plain skirt design.
- Drain hole =2"
- Includes chrome rectangular overflow cover and pop-up drain.
- Integral overflow channel construction.
- Faucets sold separately.
- 1 Year limited manufacturer's warranty included.



DESIGN FEATURES

- Designed for corner installations.
- Centre Drain.
- Gently sloping lumbar support.
- Above floor rough-in compatibility.

AVAILABLE UPGRADES

- Comfortwarm™ heated Lumbar /backrest.
- Chromotherapy