



BLANCO VISION 1.5 SILGRANIT® Topmount Sink

Made of ultra durable granite composite material, BLANCO SILGRANIT® combines 80% natural granite, with high-quality acrylic for unmatched strength and durability.

BLANCO

Model No.	Colour	Bowl Depth	
		Main	Secondary
401126	Anthracite	8" (205 mm)	7" (178 mm)
401392	Cinder		
401129	Truffle		
401127	Café		
401128	Biscotti		

Material

BLANCO SILGRANIT®

Durable, patented composite material made of 80% natural granite

Specifications

Top mount installation

Minimum Cabinet Size: 30" (760 mm)

Unsurpassed scratch, chip and stain resistance

Heat resistant to temperatures of up to 280°C (536°F)

Fade-proof; solid colour throughout

4 additional knock-out for accessories

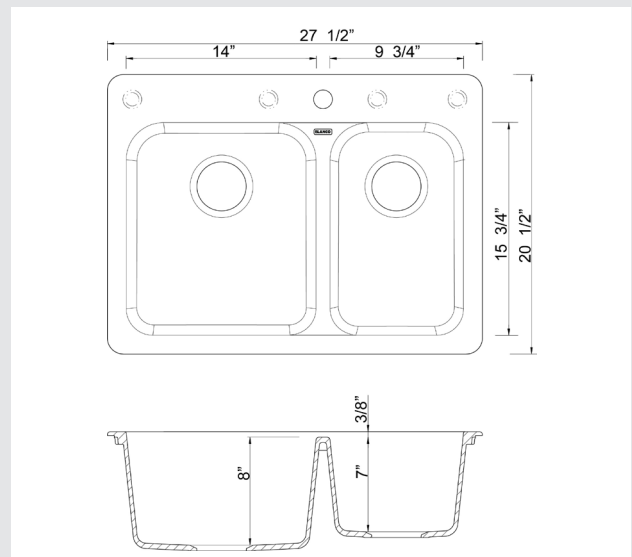
3½" (90 mm) stainless steel strainers included

Matching Silgranit® colour faucets and optional accessories available

Template included

Made in Canada

Limited Lifetime Warranty



Anthracite

Café

Biscotti

Cinder

Truffle