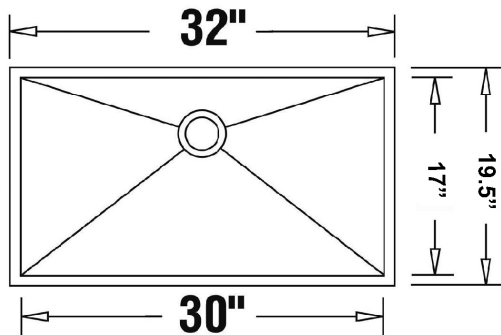


BLANCO PRECISION U MAXI APRON Stainless Steel Undermount

Handcrafted in Germany, Precision sinks represent the pinnacle of BLANCO craftsmanship. Strong in character and uncompromising, Precision's zero radius corners and angular bowl geometry create crisp, sharp lines. Features ultra-deep bowls and functional X-pattern drain grooves.



Model 400191 shown with BLANCO CULINA faucet



Model No.	Bowl Depth	
	Main	Secondary
400191	10" (255 mm)	

Material

18 gauge stainless steel
18/10 chrome nickel content

Specifications

Minimum cabinet size: 33" (840 mm)
Rear positioned drain hole to maximize bowl and cabinet storage space
Zero-radius bowl corners
Reinforced apron front
X-pattern drain grooves
3.5" (90mm) stainless steel strainer included
Undermount clips included
Template included
Limited Lifetime Warranty

Accessories	
Model No.	Description
400238	Mesh Colander
406234	Grid

BLANCO
STEELART

BLANCO CANADA INC.

100 Corporation Drive, Brampton, ON L4V 1R3
Tel: 905-494-2400 Toll Free: 1-877-425-2626
Fax: 905-494-2425 Toll Free: 1-877-825-2626
www.blancocanada.com