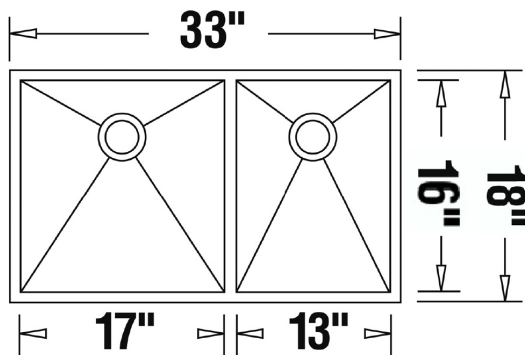


BLANCO PRECISION U 1³/₄ Stainless Steel Undermount

Handcrafted in Germany, Precision sinks represent the pinnacle of BLANCO craftsmanship. Strong in character and uncompromising, Precision's zero radius corners and angular bowl geometry create crisp, sharp lines. Ultra-deep bowls catch the light with striking and functional X-pattern drain grooves moulded in the base.



400473



BLANCO
STEELART

Model No.	Bowl Depth	
	Main	Secondary
400473	10" (255 mm)	10" (255 mm)

Material

18 gauge stainless steel
18/10 chrome nickel content

Specifications

Minimum cabinet size: 36" (915 mm)
Rear positioned drain hole for maximum usable bowl and cabinet storage space
Zero-radius bowl corners
X-pattern drain grooves
3.5" (90mm) stainless steel strainers included
Undermount clips included
Template included
Limited lifetime warranty

Accessories	
Model No.	Description
406258	Maple Cutting Board
224390	Glass Cutting Board
400238	Mesh Colander
224387	Colander
223189	Grid (SB)
223190	Grid (LB)

BLANCO CANADA INC.

100 Corporation Drive, Brampton, ON L4V 1R3
Tel: 905-494-2400 Toll Free: 1-877-425-2626
Fax: 905-494-2425 Toll Free: 1-877-825-2626
www.blancocanada.com