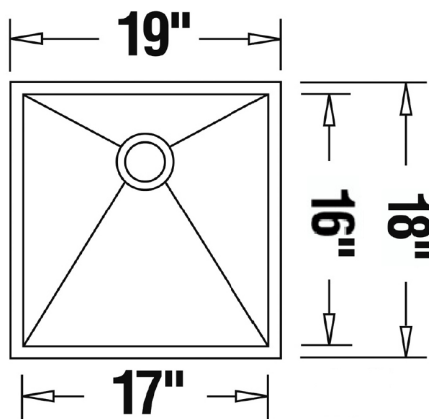


BLANCO PRECISION U 1 Stainless Steel Single Bowl Undermount

Handcrafted in Germany, Precision sinks represent the pinnacle of BLANCO craftsmanship. Strong in character and uncompromising, Precision's zero radius corners and angular bowl geometry create crisp, sharp lines. Featuring ultra-deep bowls and functional X-pattern drain grooves.



400397



BLANCO
STEELART

Model No.	Bowl Depth	
	Main	Secondary
400397	10" (255 mm)	

Material

18 gauge stainless steel
18/10 chrome nickel content

Specifications

Minimum cabinet size: 21" (530 mm)
Rear positioned drain hole for maximum usable bowl and cabinet storage space
Zero-radius bowl corners
X-pattern drain grooves
3.5" (90mm) stainless steel strainer included
Undermount clips included
Template included
Limited lifetime warranty

Accessories	
Model No.	Description
406258	Maple Cutting Board
224390	Glass Cutting Board
400238	Mesh Colander
224387	Colander
223190	Grid

BLANCO CANADA INC.

100 Corporation Drive, Brampton, ON L4V 1R3
Tel: 905-494-2400 Toll Free: 1-877-425-2626
Fax: 905-494-2425 Toll Free: 1-877-825-2626
www.blancocanada.com