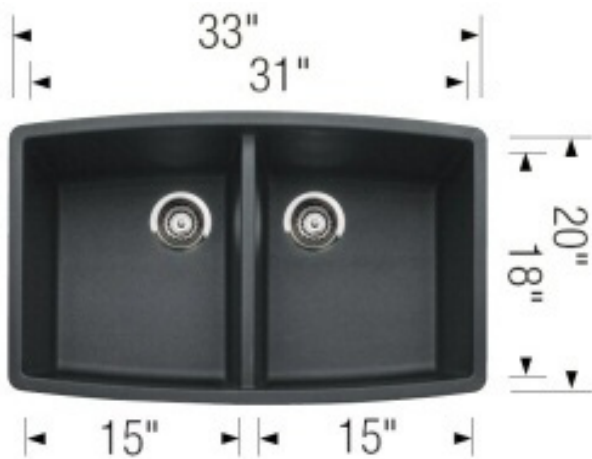


BLANCO PERFORMA U2 SILGRANIT® Undermount Sink

Made of ultra durable granite composite material, BLANCO SILGRANIT® combines 80% natural granite, with high-quality acrylic for unmatched strength and durability.



Model No.	Colour	Bowl Depth	
		Main	Secondary
400499	Anthracite	10" (255 mm)	10" (255 mm)
400475	Café		
401189	Truffle		
401190	Biscotti		

Material

BLANCO SILGRANIT®

Durable, patented composite material made of 80% natural granite

Made in Germany

Specifications

Minimum Cabinet Size: 36" (915 mm)

Unsurpassed scratch, chip and stain resistance

Heat resistant to temperatures of up to 280°C (536°F)

Fade-proof; solid colour throughout

Rear positioned drain holes for max. usable bowl and cabinet space

2 large, equal size bowls

3.5" (90 mm) stainless steel strainers included

Matching Silgranit® colour faucets and optional accessories available

Template included

Limited Lifetime Warranty

Accessories	
Model No	Description
406306	Large Walnut Cutting Board
406307	Medium Walnut Cutting Board
222429	Grid (Left hand bowl)
222469	Grid (right hand bowl)

BLANCO CANADA INC.

100 Corporation Drive, Brampton, ON L4V 1R3
Tel: 905-494-2400 Toll Free: 1-877-425-2626
Fax: 905-494-2425 Toll Free: 1-877-825-2626
www.blancocanada.com