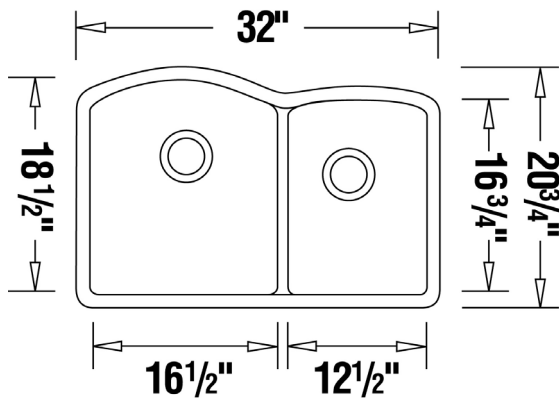


BLANCO DIAMOND U1³/₄ SILGRANIT® Undermount Sink

Made of ultra durable granite composite material, BLANCO SILGRANIT® combines 80% natural granite, with high-quality acrylic for unmatched strength and durability.



Model No.	Colour	Bowl Depth	
		Main	Secondary
400077	Anthracite	9½" (240 mm)	8" (205 mm)
400309	Café		
401065	Biscotti		
401149	Truffle		
400076	White		

Material

BLANCO SILGRANIT®

Durable, patented composite material made of 80% natural granite

Specifications

Minimum Cabinet Size: 33" (840 mm)

Unsurpassed scratch, chip and stain resistance

Heat resistant to temperatures of up to 280°C (536°F)

Fade-proof; solid colour throughout

Rear positioned drain holes for max. usable bowl and cabinet space

3.5" (90 mm) stainless steel strainers included

Matching Silgranit® colour faucets and optional accessories available

Enormous main bowl accommodates bulky items

Template included

Limited Lifetime Warranty

Accessories	
Model No.	Description
406228	Stainless steel grid (S bowl)
406227	Stainless steel grid (L bowl)
406258	Maple cutting board
400238	Stainless steel mesh colander (L bowl)
400237	Stainless steel mesh colander (S bowl)
406291	Stainless steel crockery basket (L bowl)
406351	Stainless steel crockery basket (S bowl)

BLANCO CANADA INC.

100 Corporation Drive, Brampton, ON L4V 1R3

Tel: 905-494-2400 Toll Free: 1-877-425-2626

Fax: 905-494-2425 Toll Free: 1-877-825-2626

www.blancocanada.com