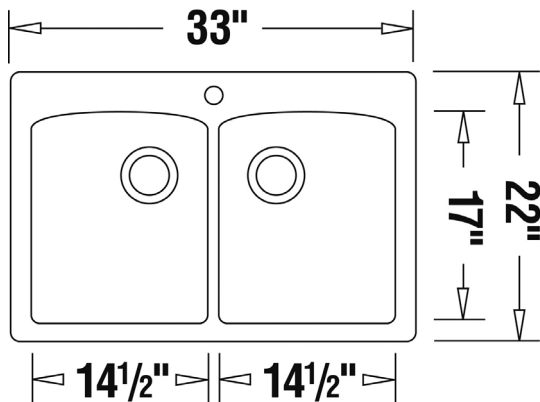


## BLANCO DIAMOND 210 SILGRANIT® Topmount Sink

Made of ultra durable granite composite material, BLANCO SILGRANIT® combines 80% natural granite, with high-quality acrylic for unmatched strength and durability.



Model No.	Colour	Bowl Depth	
		Main	Secondary
400056	Anthracite	9 1/2" (240 mm)	9 1/2" (240 mm)
400365	Café		
401066	Biscotti		
401152	Truffle		

### Material

BLANCO SILGRANIT®

Durable, patented composite material made of 80% natural granite

### Specifications

Minimum Cabinet Size: 36" (915 mm)

Unsurpassed scratch, chip and stain resistance

Heat resistant to temperatures of up to 280°C (536°F)

Fade-proof; solid colour throughout

Rear positioned drain holes for max. usable bowl and cabinet space

3.5" (90 mm) stainless steel strainers included

Matching Silgranit® colour faucets and optional accessories available

Unique design enhances bowl shape and capacity

Template included

Limited Lifetime Warranty

4 additional knock-outs for accessories

### Accessories

Model No.	Description
406231	Stainless steel grid (R bowl)
406230	Stainless steel grid (L bowl)
406249	Stainless steel crockery basket
406258	Maple cutting board
400238	Stainless steel mesh colander

### BLANCO CANADA INC.

100 Corporation Drive, Brampton, ON L4V 1R3

Tel: 905-494-2400 Toll Free: 1-877-425-2626

Fax: 905-494-2425 Toll Free: 1-877-825-2626

www.blancocanada.com