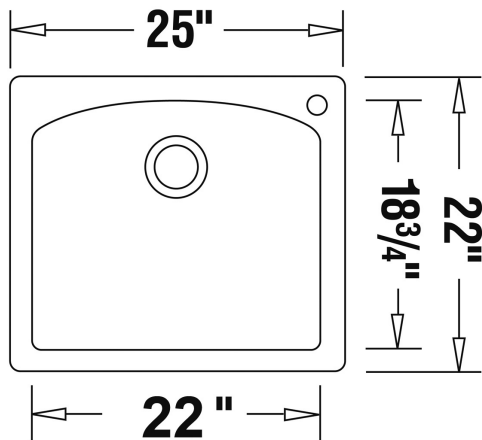


BLANCO DIAMOND 1 SILGRANIT® Topmount Sink

Made of ultra durable granite composite material, BLANCO SILGRANIT® combines 80% natural granite, with high-quality acrylic for unmatched strength and durability.



Model No.	Colour	Bowl Depth	
		Main	Secondary
400064	Anthracite	10" (255 mm)	
400368	Café		
401052	Biscotti		
401154	Truffle		

Material

BLANCO SILGRANIT®

Durable, patented composite material made of 80% natural granite

Specifications

Minimum Cabinet Size: 27" (685 mm)

Unsurpassed scratch, chip and stain resistance

Heat resistant to temperatures of up to 280°C (536°F)

Fade-proof; solid colour throughout

Rear positioned drain hole for max. usable bowl and cabinet space

3.5" (90 mm) stainless steel strainer included

Matching Silgranit® colour faucets and optional accessories available

Ideal island sink

Template included

Limited Lifetime Warranty

1 additional knock-out for accessories

Accessories	
Model No.	Description
406229	Stainless steel grid
406291	Stainless steel crockery basket
406258	Maple cutting board
400238	Stainless steel mesh colander

BLANCO CANADA INC.

100 Corporation Drive, Brampton, ON L4V 1R3

Tel: 905-494-2400 Toll Free: 1-877-425-2626

Fax: 905-494-2425 Toll Free: 1-877-825-2626

www.blancocanada.com