

36940

Neptune Square Under-Mount Basin

17" x 17" x 6 3/4"



*1 year limited manufacturer's warranty included

CERAMIC SINK DIMENSIONS

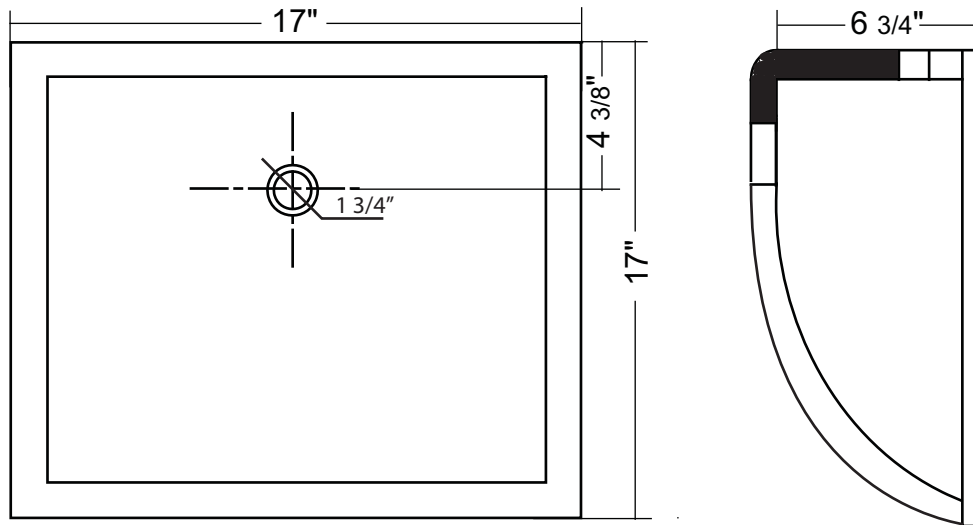


Diagram not to scale

All measurements $\pm 1/4"$



This sink complies with CSA Standards

In keeping with our policy of continuing product improvement, Acri-Tec Industries Corp., reserves the right to change product specifications without notice.